

[54] POPCORN MAKER

[75] Inventors: Alfred C. Lange, Buffalo Grove, Ill.; Wesley W. Teich, Wayland; Robert F. Bowen, Burlington, both of Mass.

[73] Assignee: Raytheon Company, Lexington, Mass.

[\*\*] Term: 14 Years

[21] Appl. No.: 906,716

[22] Filed: May 17, 1978

[51] Int. Cl. .... D7-02

[52] U.S. Cl. .... D7/85; D7/97; D15/105; 219/10.55 E

[58] Field of Search ..... D7/97, 85, 41, 59, 60, D7/68; D15/105, 104; 219/10.55 E, 10.55 M, 10.55 R; 99/323.5

[56] References Cited

U.S. PATENT DOCUMENTS

D. 152,284 1/1949 Muller-Munk ..... D7/85

Primary Examiner—Donald B. Moyer

Attorney, Agent, or Firm—M. D. Bartlett; J. D. Pannone; J. T. Meaney

[57] CLAIM

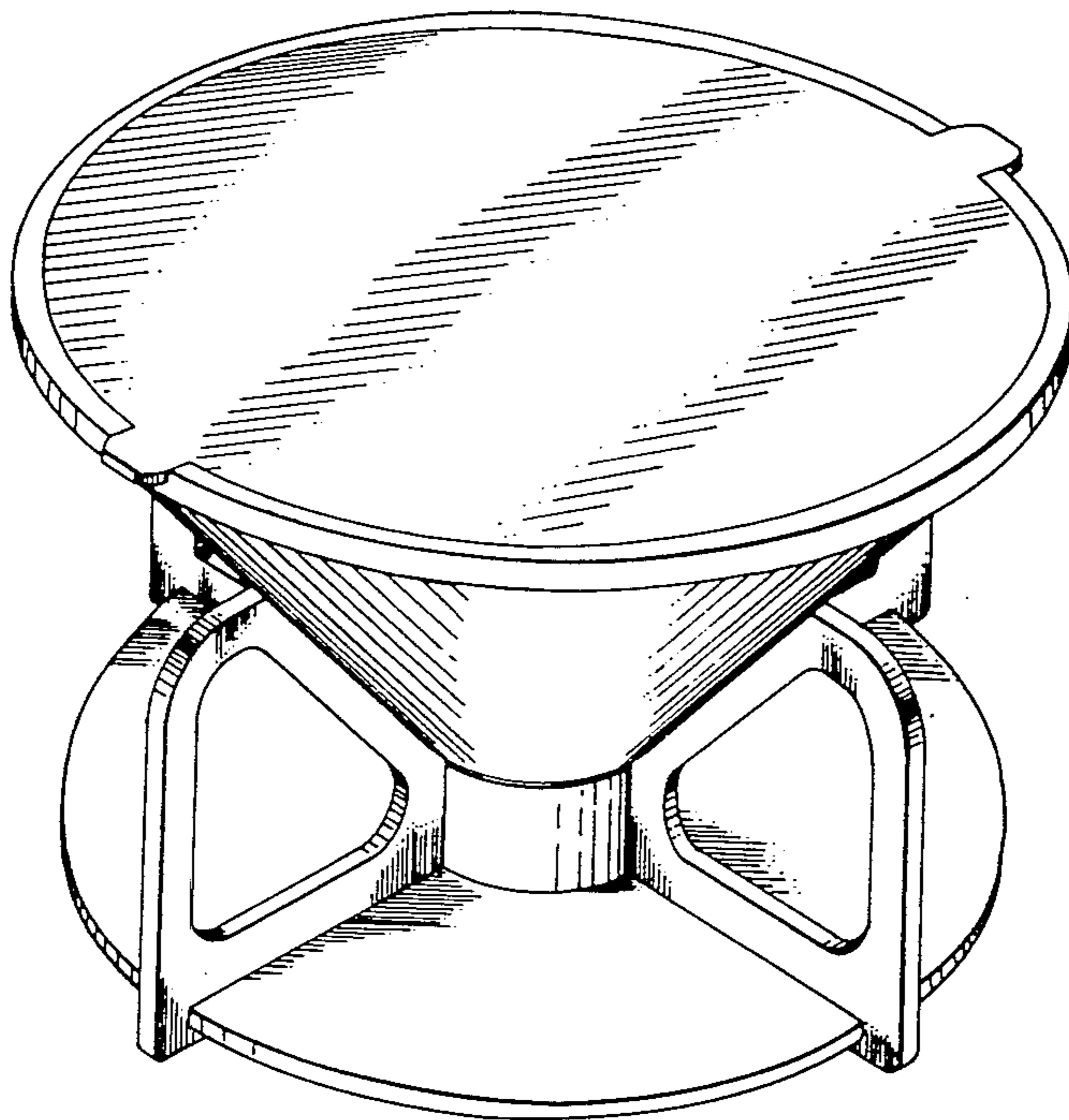
The ornamental design for a popcorn maker, as shown and described.

DESCRIPTION

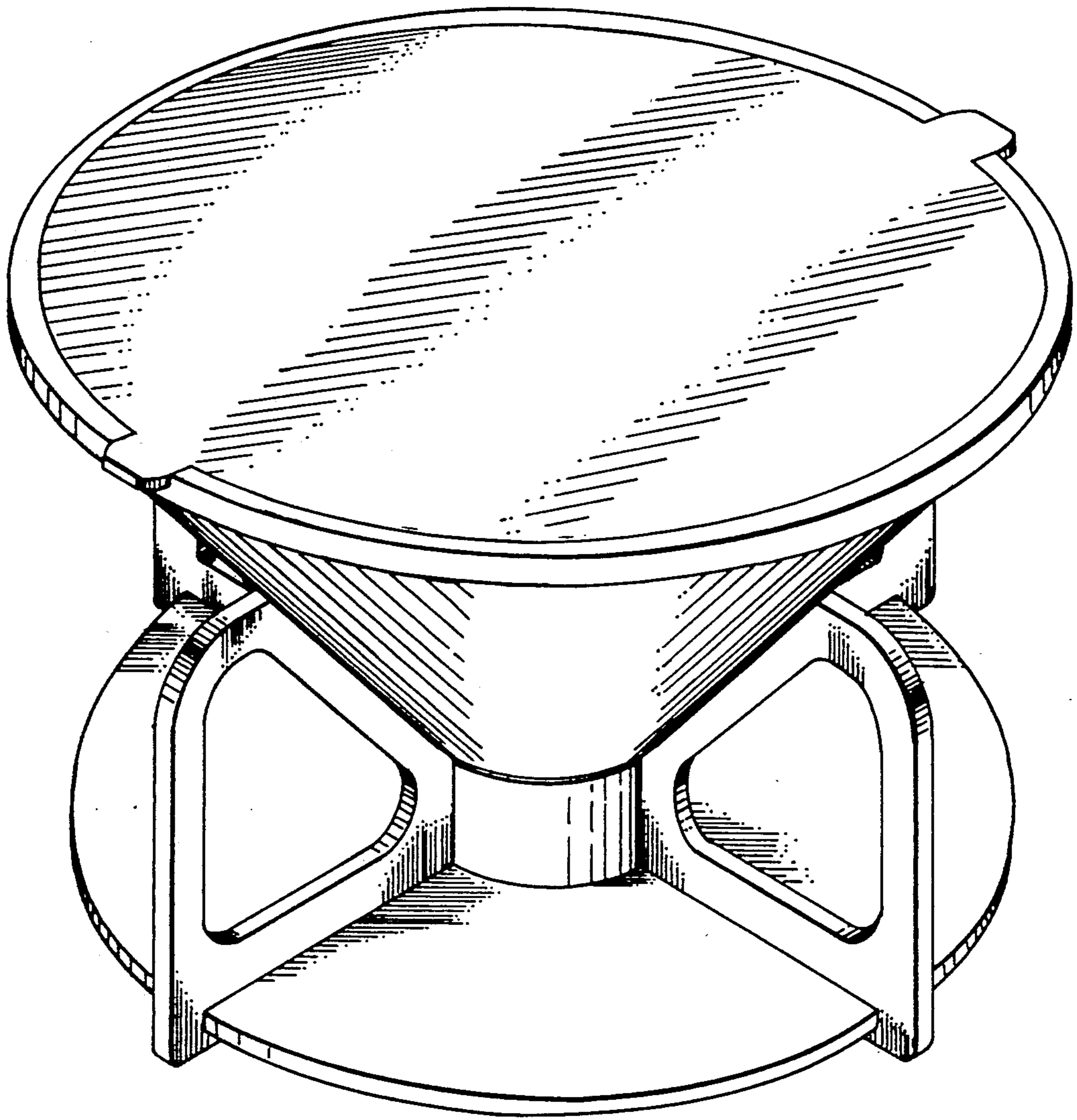
FIG. 1 is a perspective view of a popcorn maker showing our new design;

FIG. 2 is a front elevational view; and

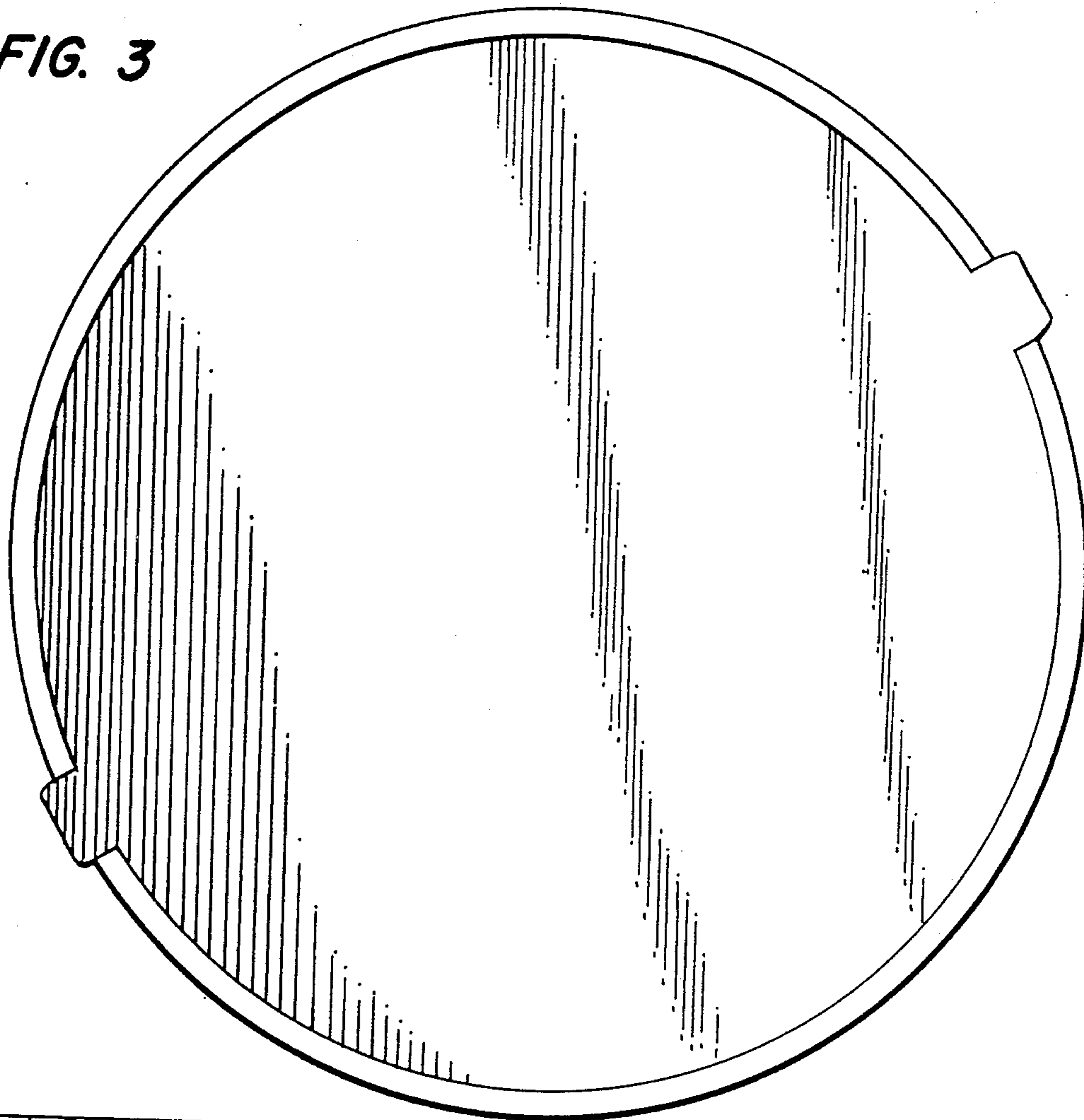
FIG. 3 is a top plan view thereof.



**FIG. 1**



**FIG. 3**



**FIG. 2**

