

[54] MEASURING CUP OR THE LIKE

[75] Inventors: Robert H. C. M. Daenen, Hekelgem; Pieter K. J. De Coster, Aalst, both of Belgium

[73] Assignee: Dart Industries Inc., Los Angeles, Calif.

[**] Term: 14 Years

[21] Appl. No.: 890,349

[22] Filed: Mar. 27, 1978

[51] Int. Cl. D7-06

[52] U.S. Cl. D7/50; D7/41; D7/131; D9/254; D9/289

[58] Field of Search D7/50, 59, 64, 65, 41, D7/131; 73/426, 427, 429; D9/254, 257, 267, 289, 290

[56] References Cited

U.S. PATENT DOCUMENTS

D. 101,166	9/1936	Forsberg	D9/254
D. 215,331	9/1969	Swett et al.	D7/50
D. 239,907	5/1976	Olsson	D7/50
3,326,363	6/1967	Bennett et al.	D9/267 X

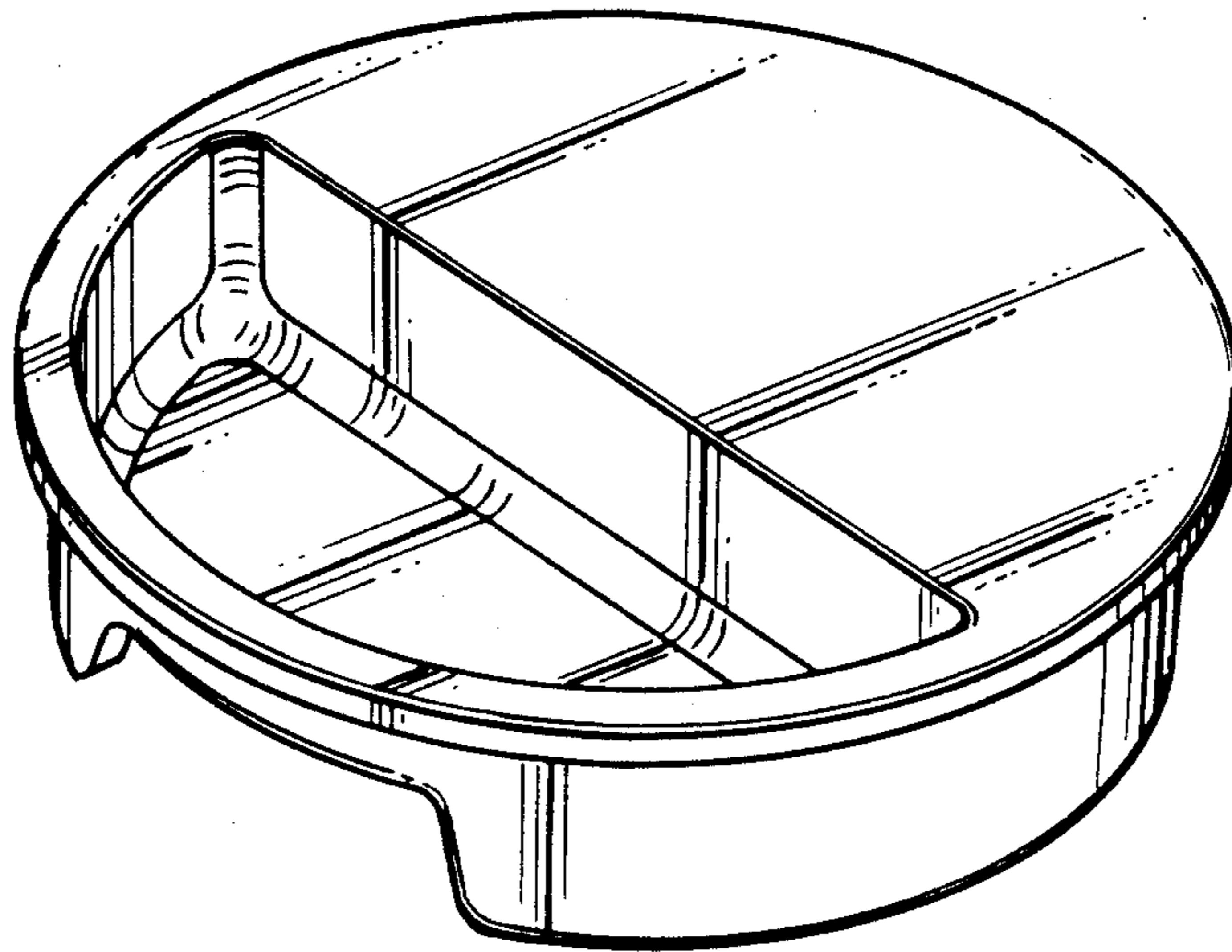
Primary Examiner—Donald B. Moyer
Attorney, Agent, or Firm—Leigh B. Taylor

[57] CLAIM

The ornamental design for a measuring cup or the like, substantially as is shown.

DESCRIPTION

FIG. 1 is a top perspective view of a measuring cup or the like showing our new design; FIG. 2 is a bottom perspective view thereof; FIG. 3 is a top plan view thereof; FIG. 4 is a bottom plan view thereof; FIG. 5 is a front elevational view thereof; and FIG. 6 is a rear elevational view thereof.



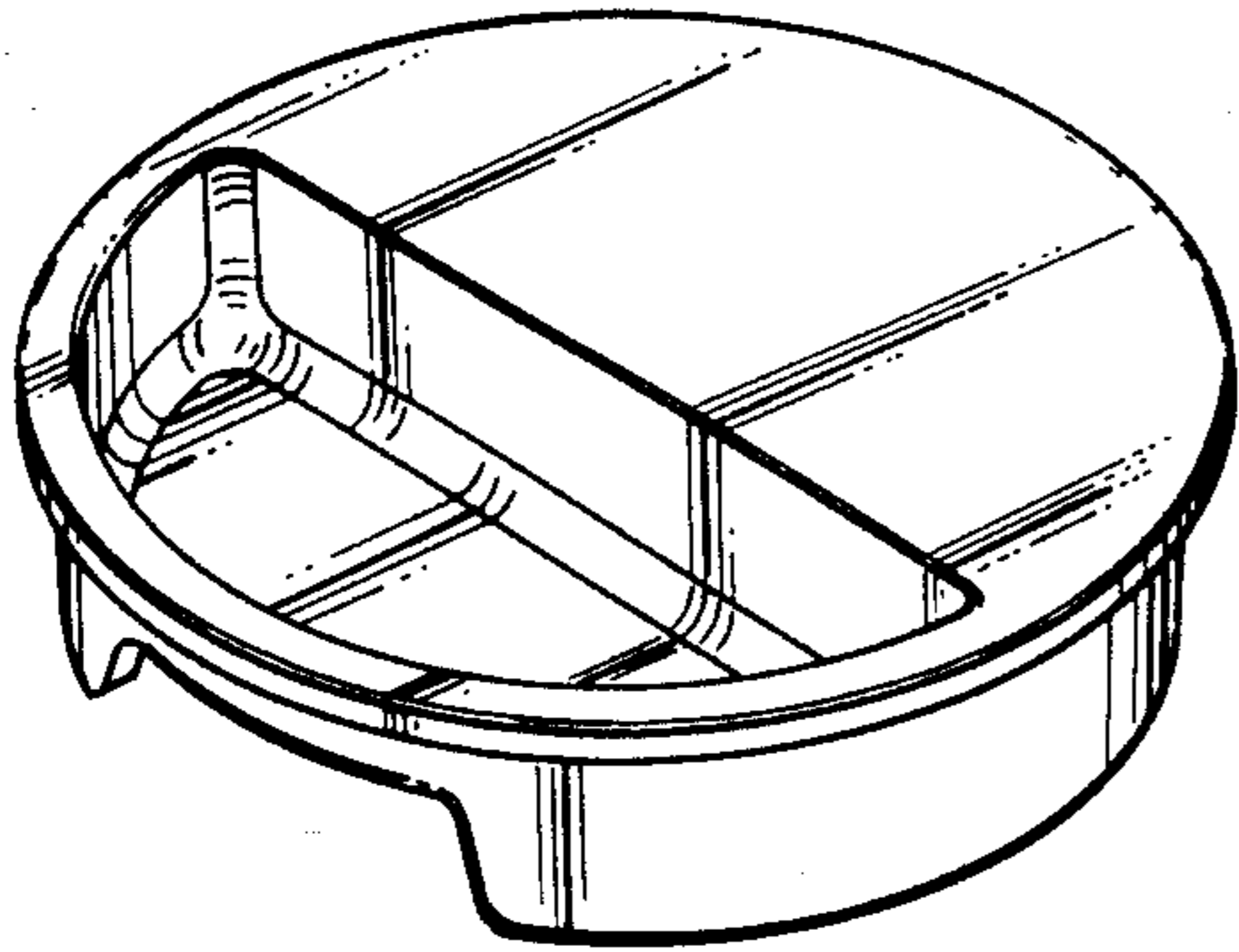


FIG. 1

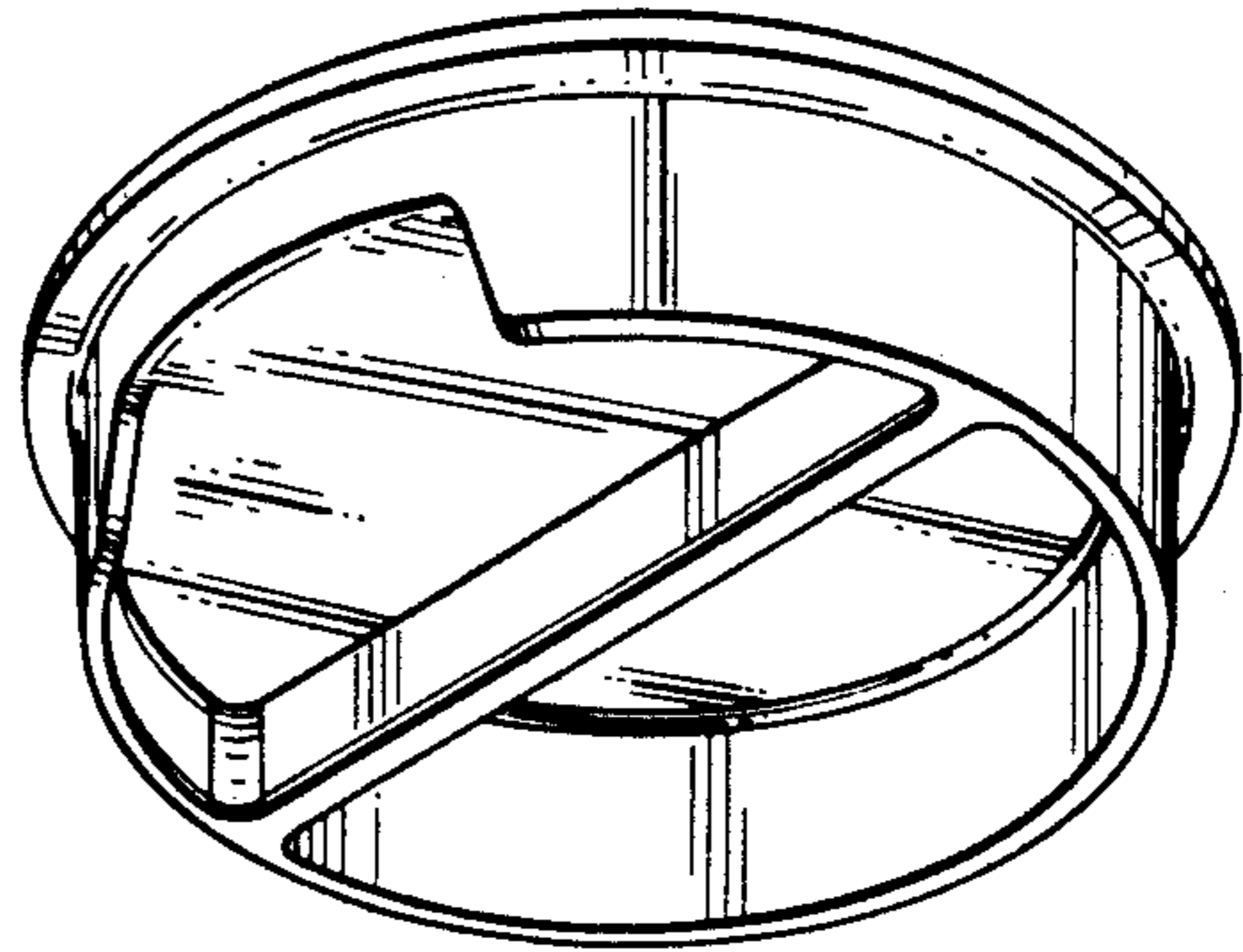


FIG. 2

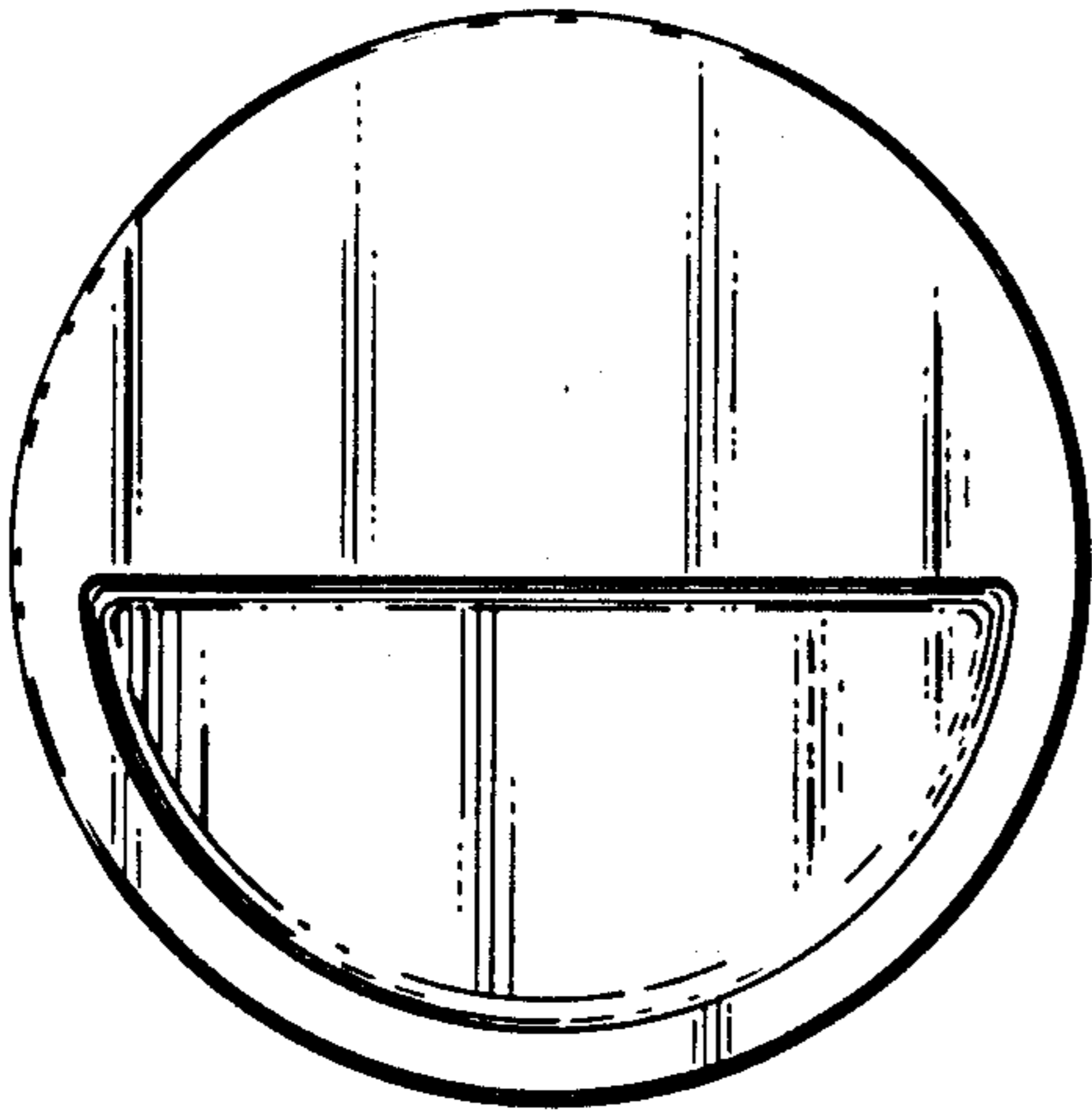


FIG. 3

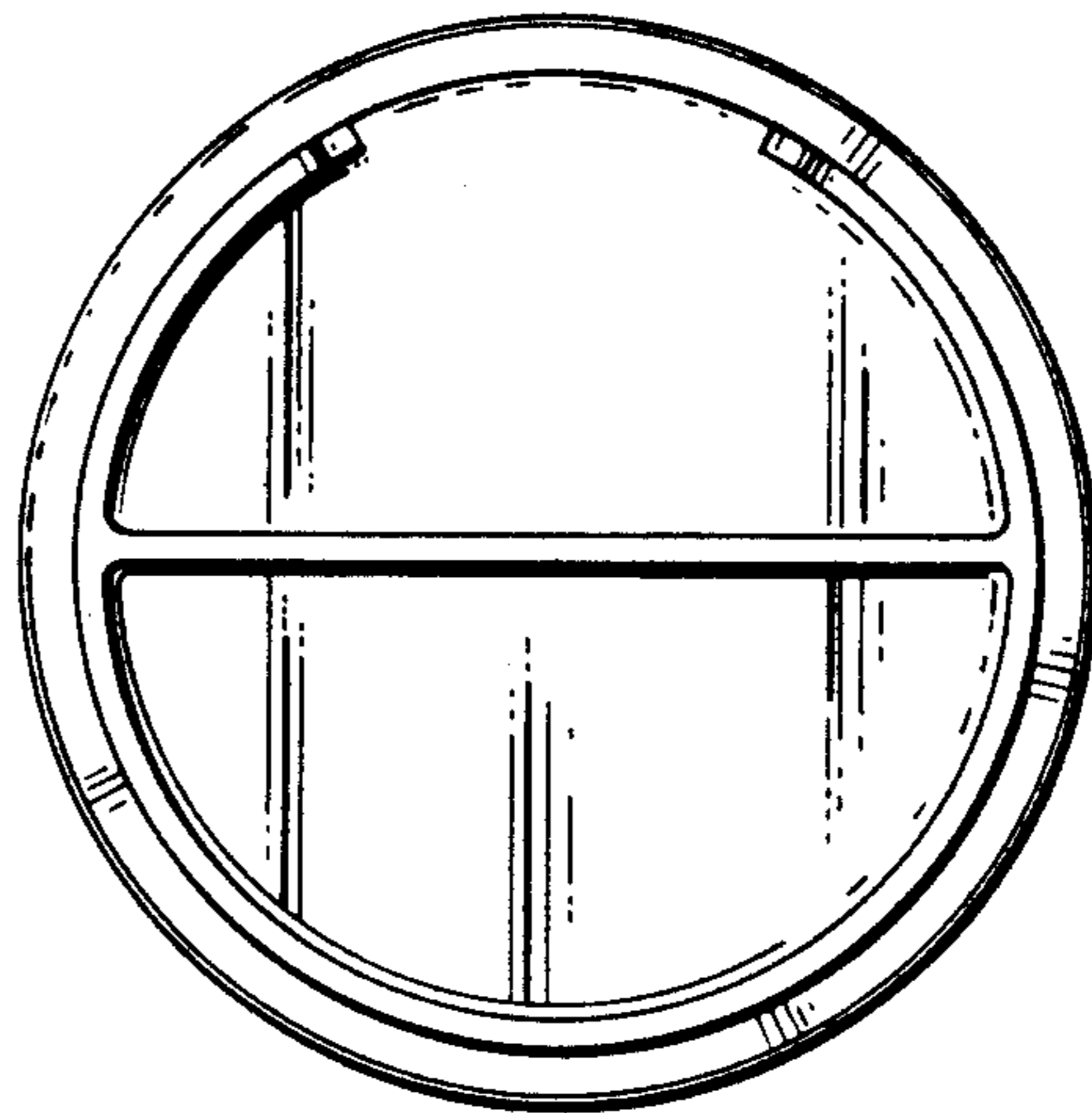


FIG. 4

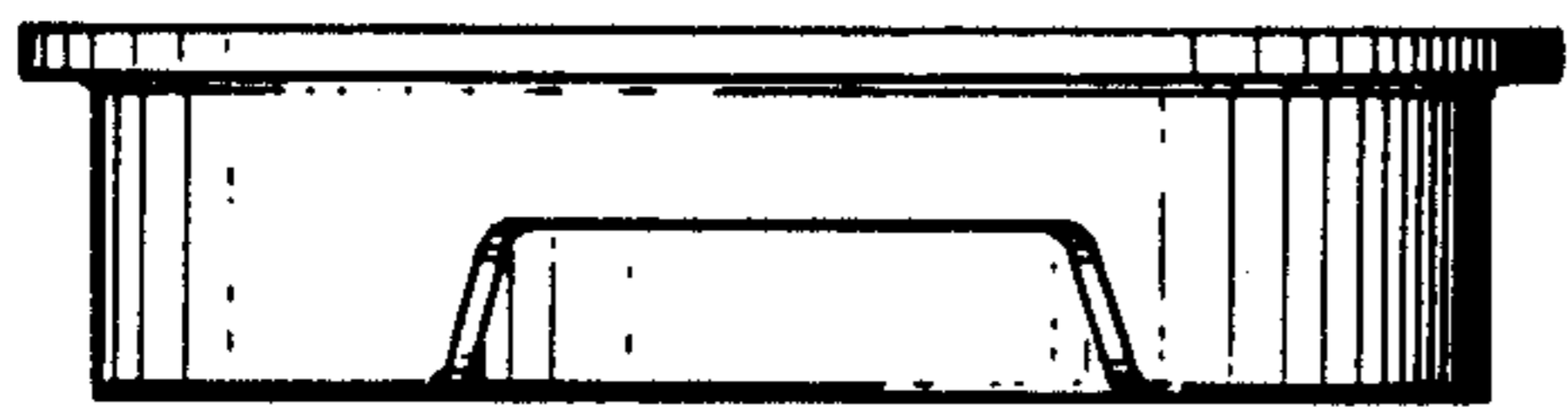


FIG. 5

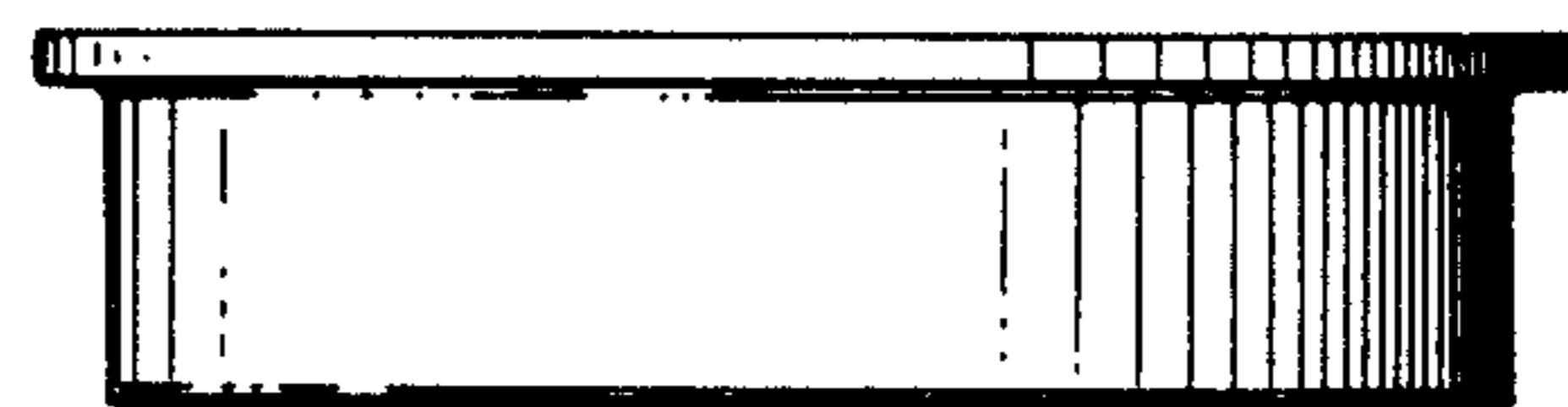


FIG. 6