

[54] MAT

[76] Inventor: George Yarabinec, 1148 Holmden Ave., Cleveland, Ohio 44109

[**] Term: 14 Years

[21] Appl. No.: 811,776

[22] Filed: Jun. 30, 1977

[51] Int. Cl. D6-09

[52] U.S. Cl. D6/201; D6/213

[58] Field of Search D6/5, 6, 79, 200, 204, D6/201, 209, 213, 267; D34/43; D24/3, 64, 99; 5/345 R, 337, 338

[56] References Cited

U.S. PATENT DOCUMENTS

D. 137,638	4/1944	Spiro	D6/201 X
D. 216,610	2/1970	Stiver	D6/201
D. 222,192	10/1971	Piere	D24/3
D. 230,117	1/1974	Johnson	D6/201

OTHER PUBLICATIONS

Earnshaw's Review, 5-76, p. 58, Plakie "Bonne-Wrap".

Primary Examiner—Joel Stearman

Assistant Examiner—Jane E. Corrigan

Attorney, Agent, or Firm—Mack D. Cook, II

[57] CLAIM

The ornamental design for a mat, substantially as shown.

DESCRIPTION

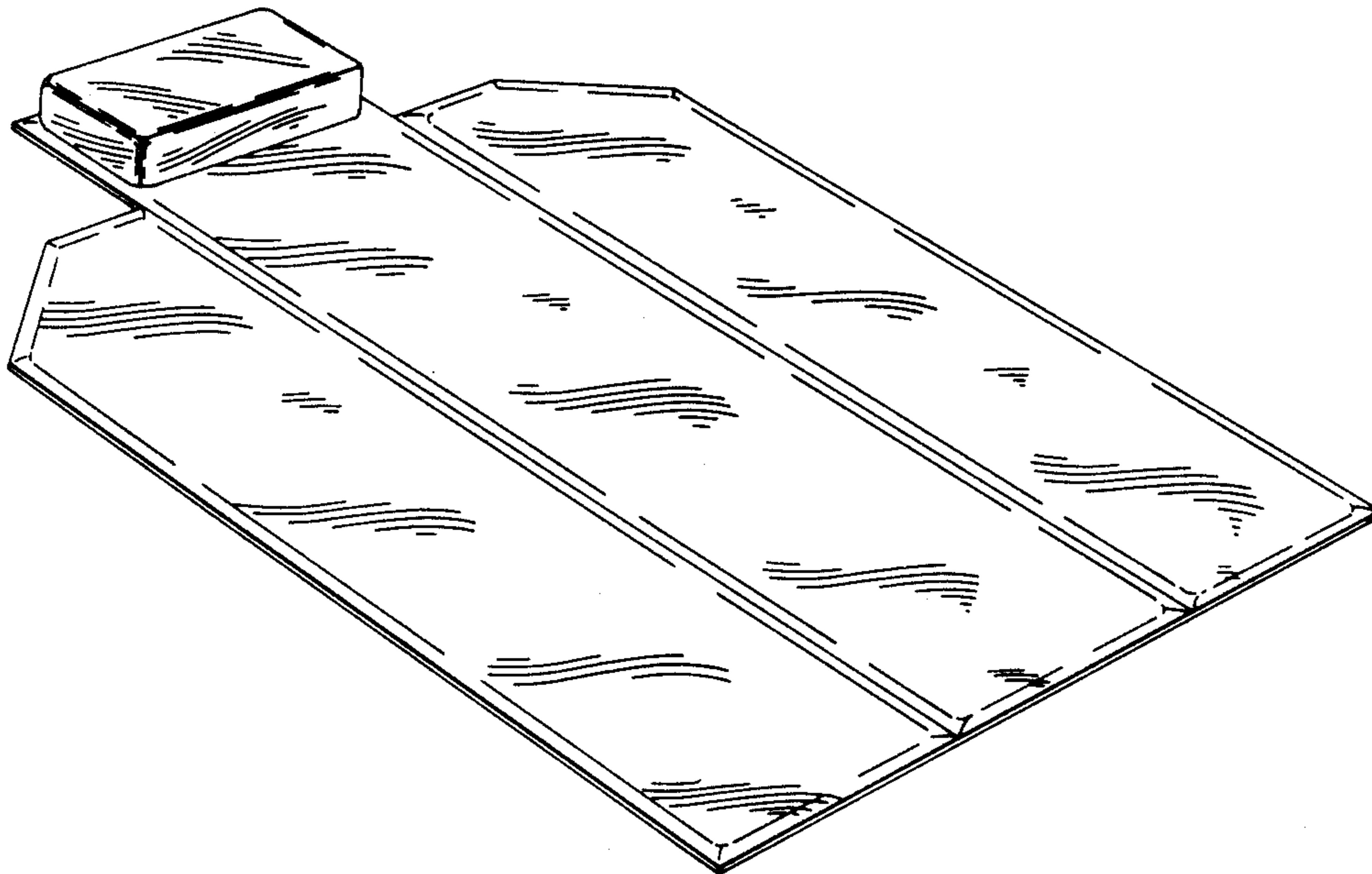
FIG. 1 is a front, top and left side perspective view of a mat showing my new design;

FIG. 2 is a front elevational view;

FIG. 3 is a left side elevational view; and,

FIG. 4 is a view similar to FIG. 1 of the mat in folded condition.

The appearance of the underside of the mat is substantially uniform and of no consequence to the design thereof.



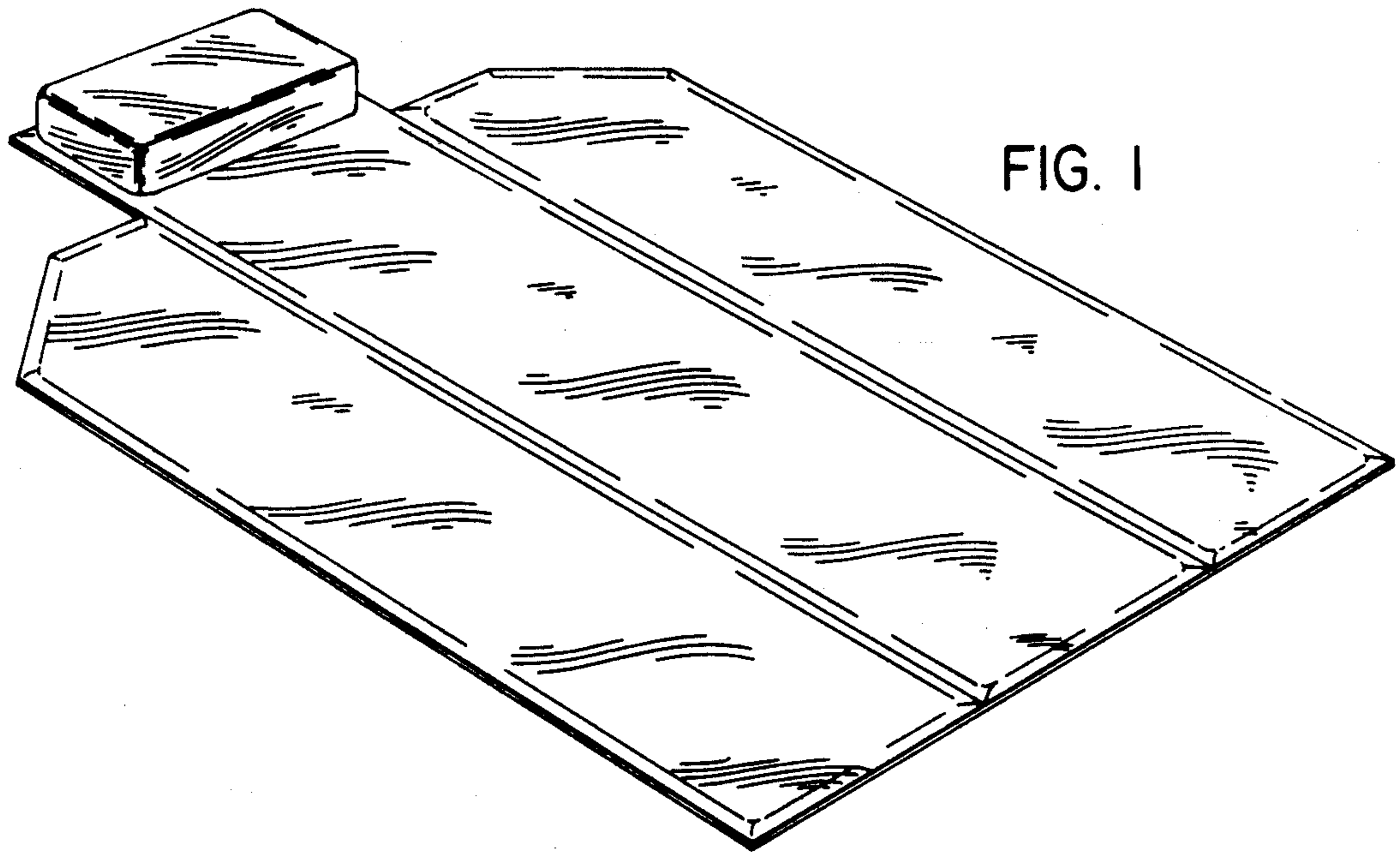


FIG. 1

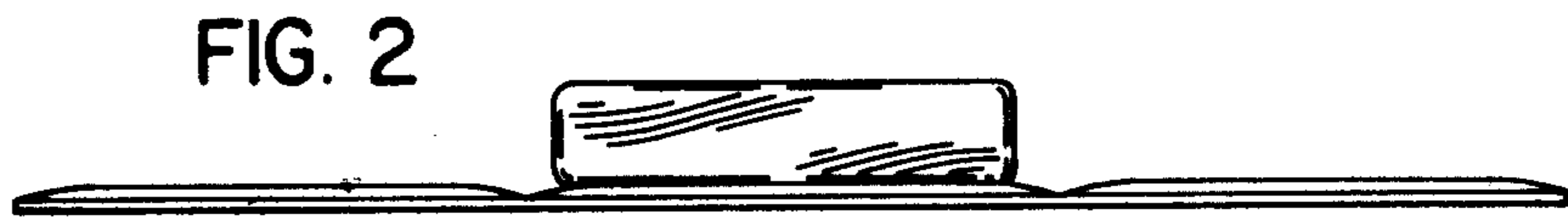


FIG. 2

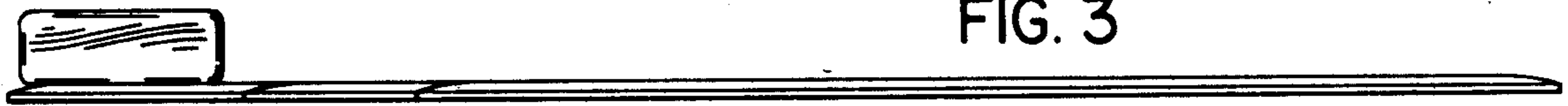


FIG. 3

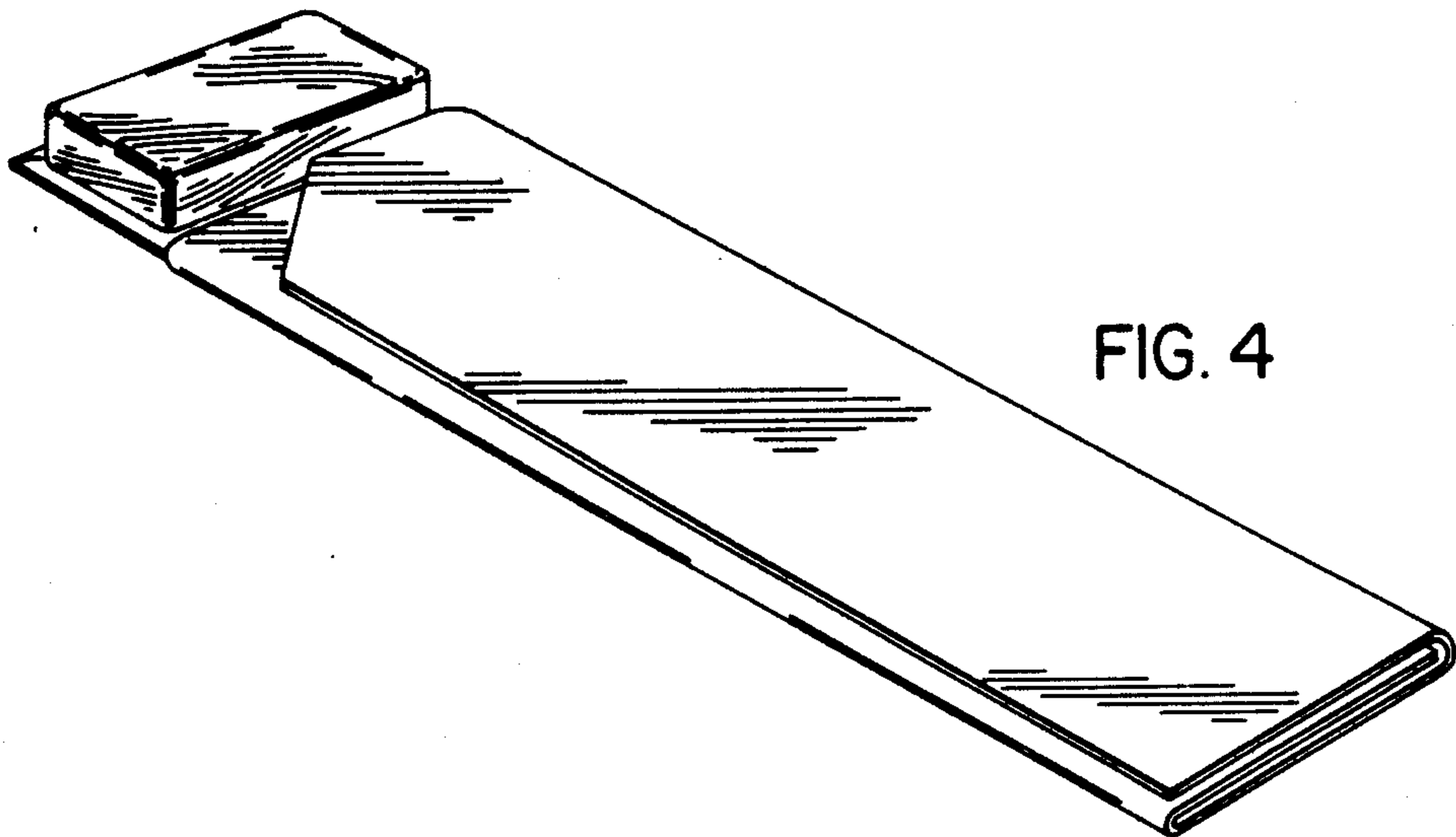


FIG. 4