

[54] MODULAR CABINET

[76] Inventor: **Gaylord F. Logsdon**, Box 115, West Covina, Calif. 91793

[**] Term: **14 Years**

[21] Appl. No.: **857,212**

[22] Filed: **Dec. 5, 1977**

[51] Int. Cl. **D6-04**

[52] U.S. Cl. **D6/158; D6/167; D6/175**

[58] Field of Search **D6/158-166, D6/167, 175, 181, 184, 186, 188**

[56] **References Cited**

U.S. PATENT DOCUMENTS

D. 191,273	9/1961	Knoll	D6/192
D. 232,206	7/1974	Geddis	D6/158
D. 243,900	4/1977	Boyd et al.	D6/167 X
D. 248,705	8/1978	Thomas	D6/158
3,606,506	9/1971	Ungaro	D6/186 X

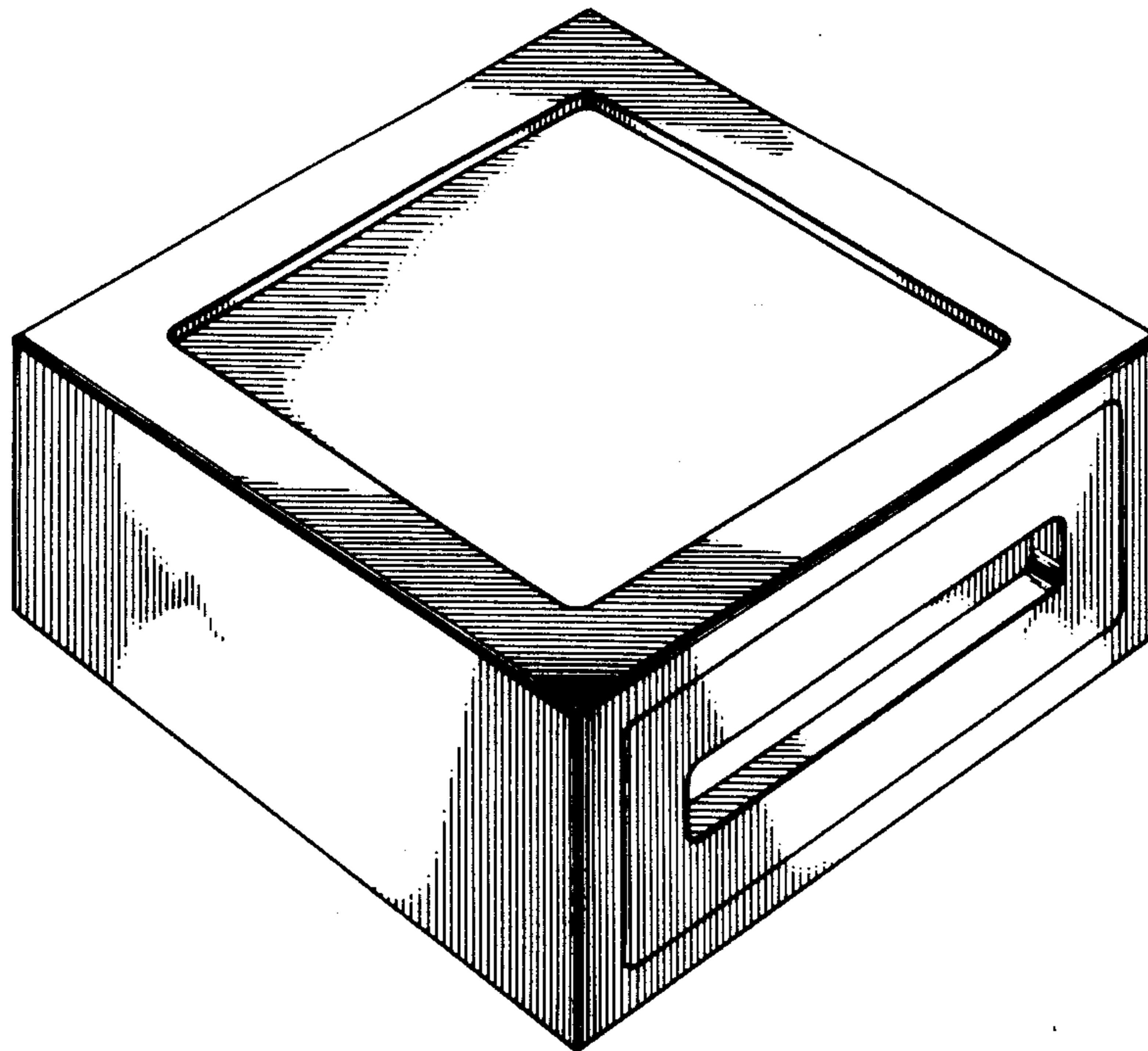
Primary Examiner—Bruce W. Dunkins
Attorney, Agent, or Firm—Lyon & Lyon

[57] **CLAIM**

The ornamental design for a modular cabinet, substantially as shown.

DESCRIPTION

FIG. 1 is a top perspective view of a modular cabinet showing my design; and
FIG. 2 is a bottom perspective view thereof.



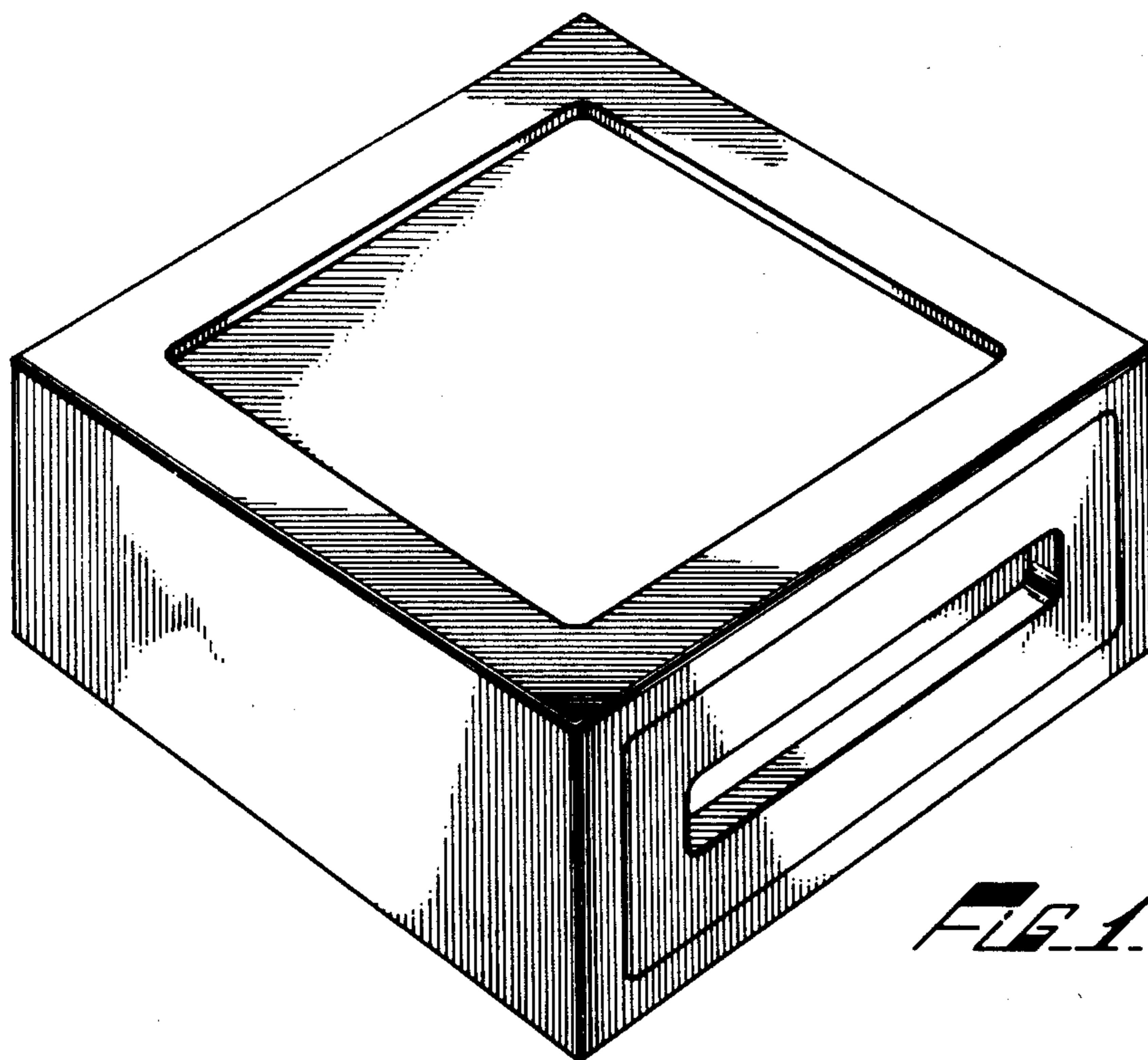


FIG. 1

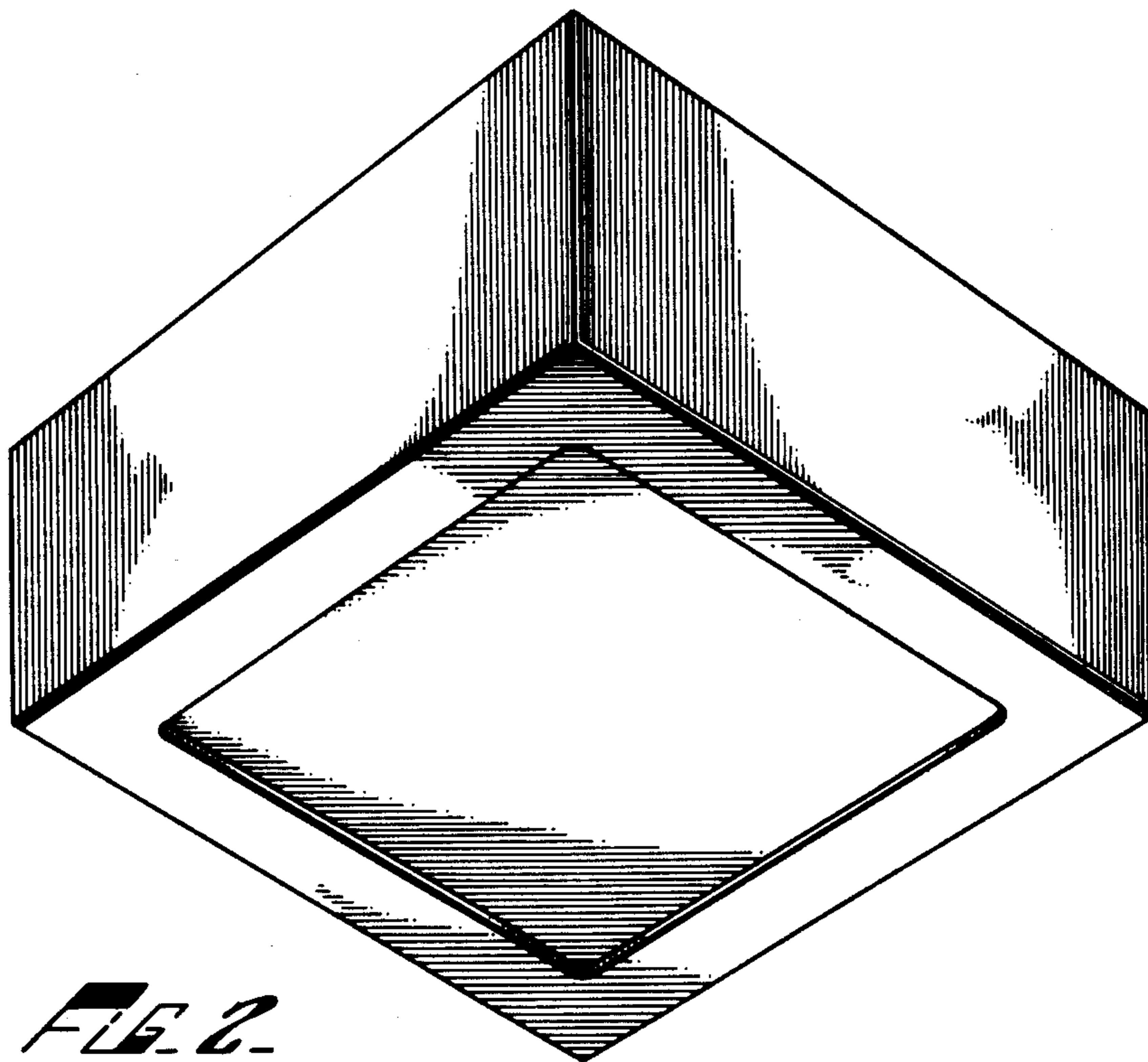


FIG. 2