

[54] **BAR**

[75] **Inventor:** Allen W. Gale, Rocky River, Ohio

[73] **Assignee:** Cardinal American Corporation,  
Cleveland, Ohio

[\*\*] **Term:** 14 Years

[21] **Appl. No.:** 851,526

[22] **Filed:** Nov. 14, 1977

[51] **Int. Cl.** ..... D6—03

[52] **U.S. Cl.** ..... D6/144

[58] **Field of Search** ..... D6/144, 162, 184

[56]

**References Cited**

**PUBLICATIONS**

Calif./Asia, Cane Furn. Cat. ©1976, p. 57, Bar top center.

*Primary Examiner*—Bruce W. Dunkins  
*Attorney, Agent, or Firm*—William Isler

[57]

**CLAIM**

The ornamental design for a bar, substantially as shown.

**DESCRIPTION**

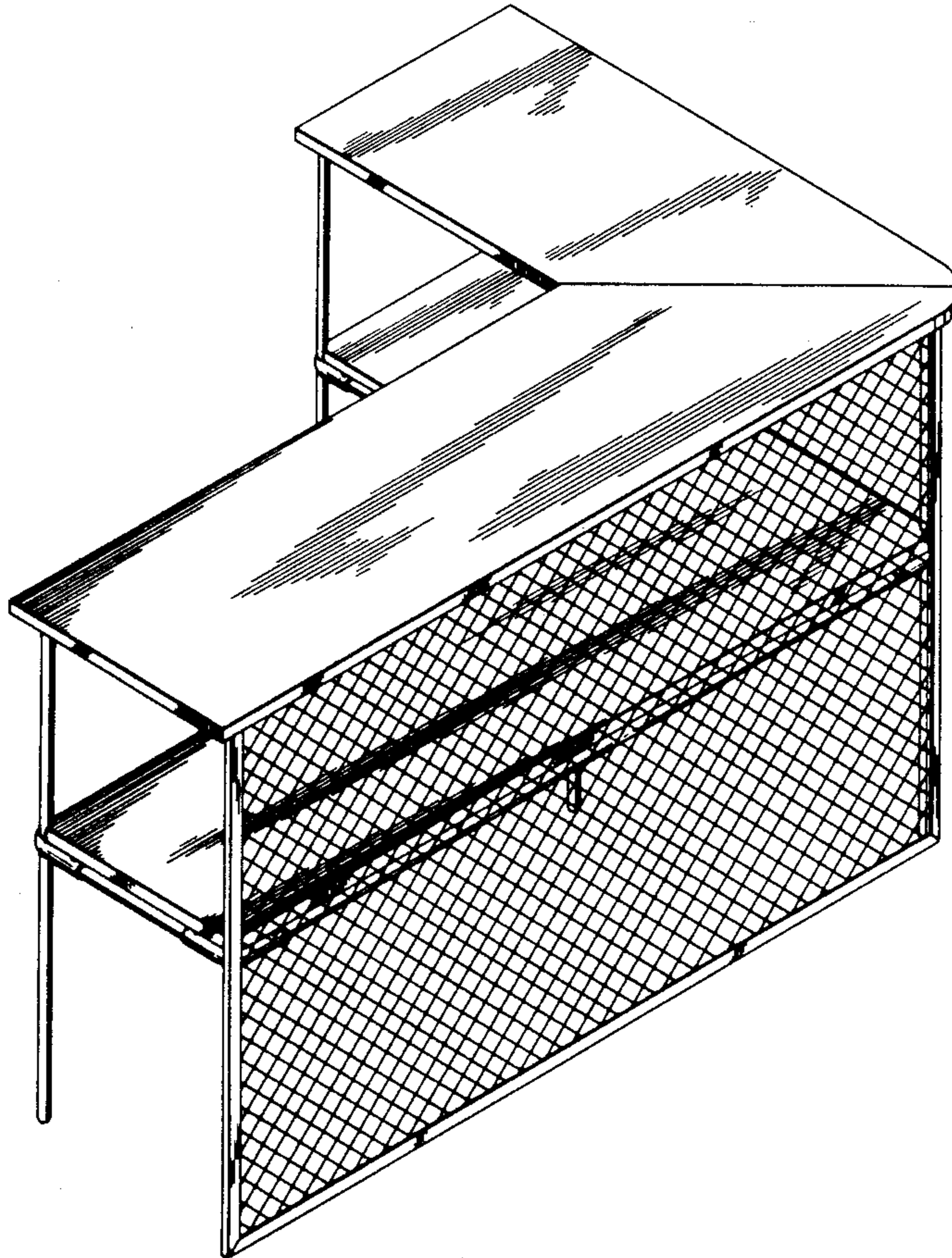
FIG. 1 is a front perspective view of a bar, showing my new design;

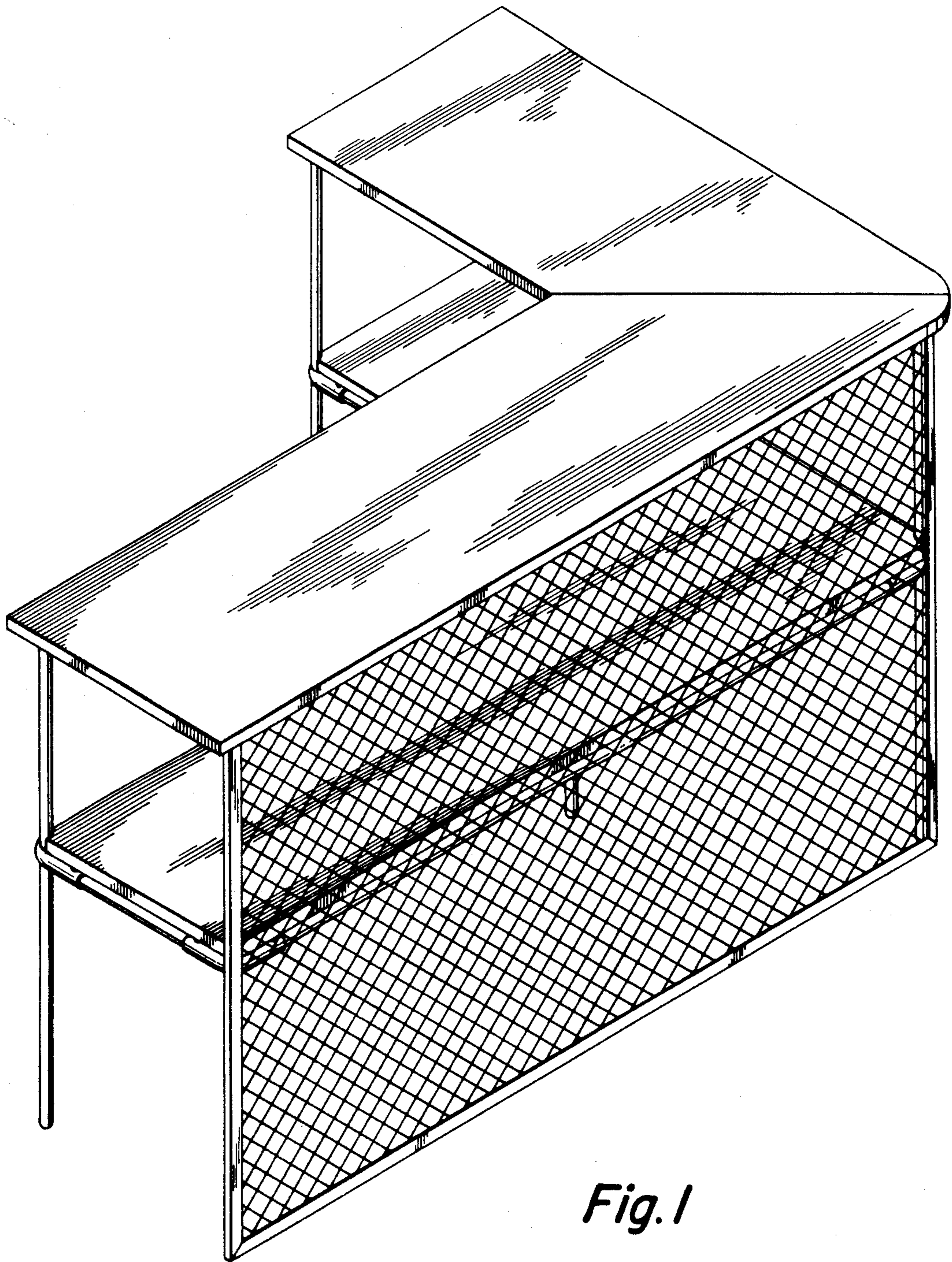
FIG. 2 is a top plan view;

FIG. 3 is a front elevational view;

FIG. 4 is an end elevational view; and

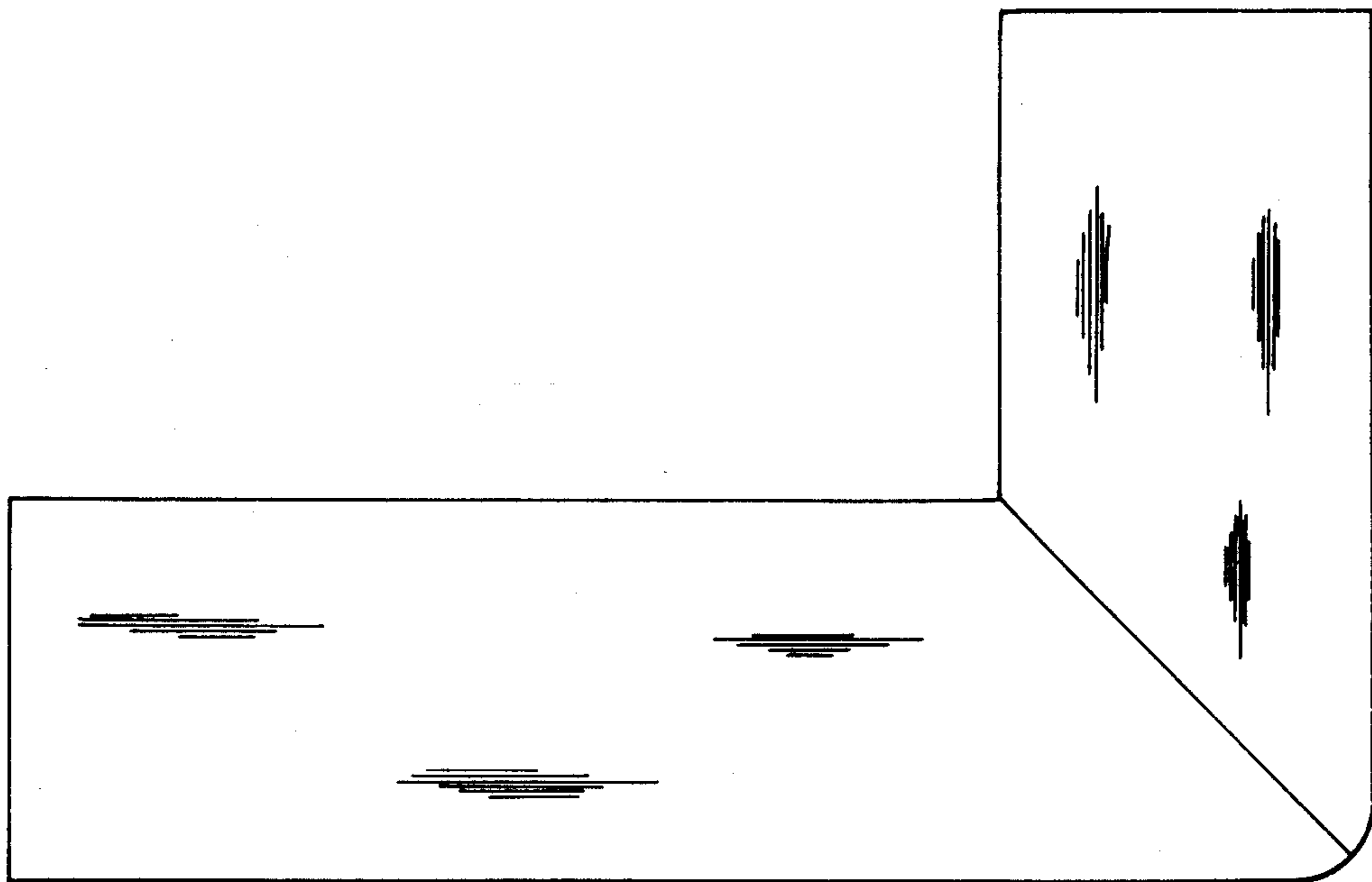
FIG. 5 is a bottom plan view thereof.



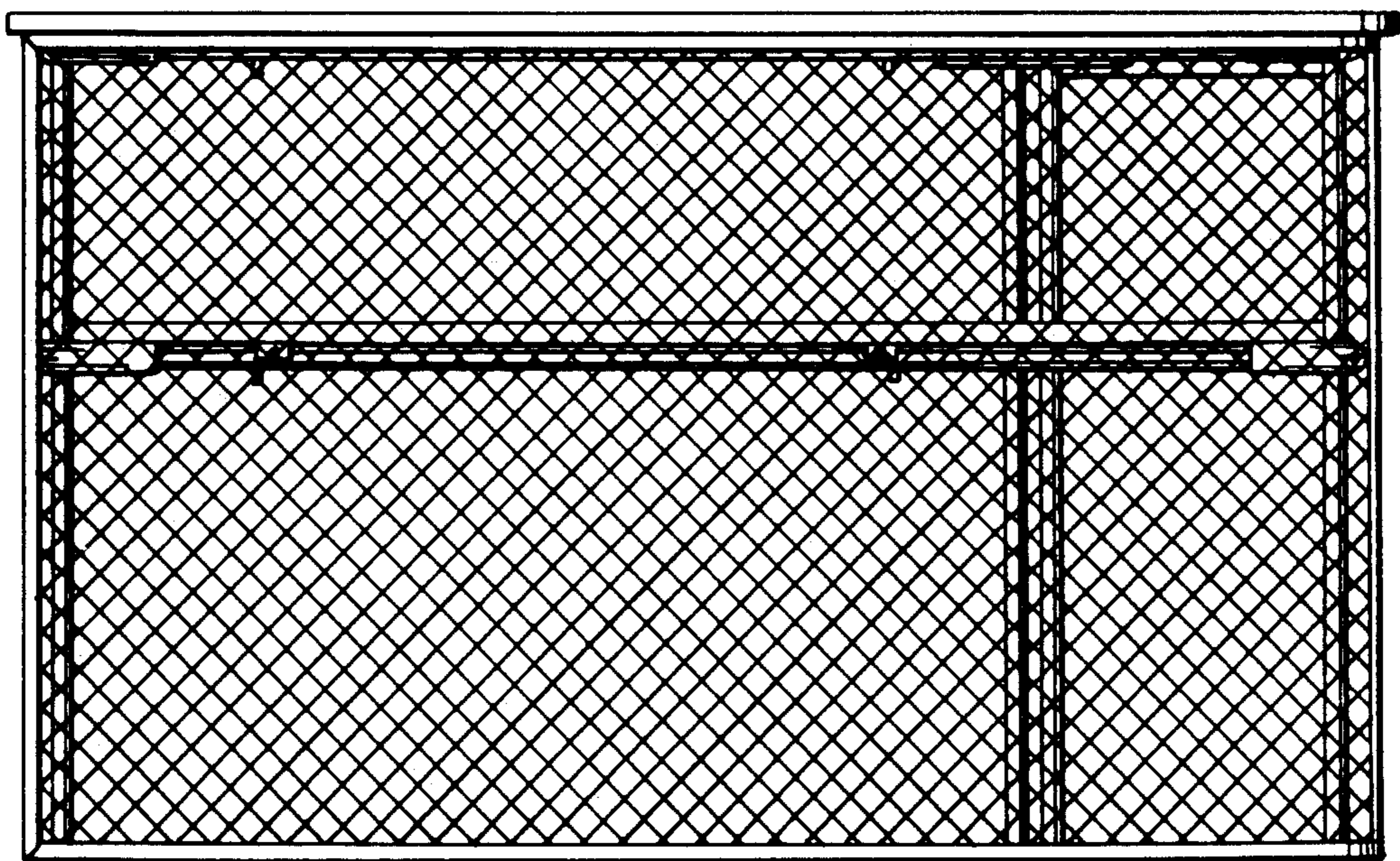


*Fig. 1*

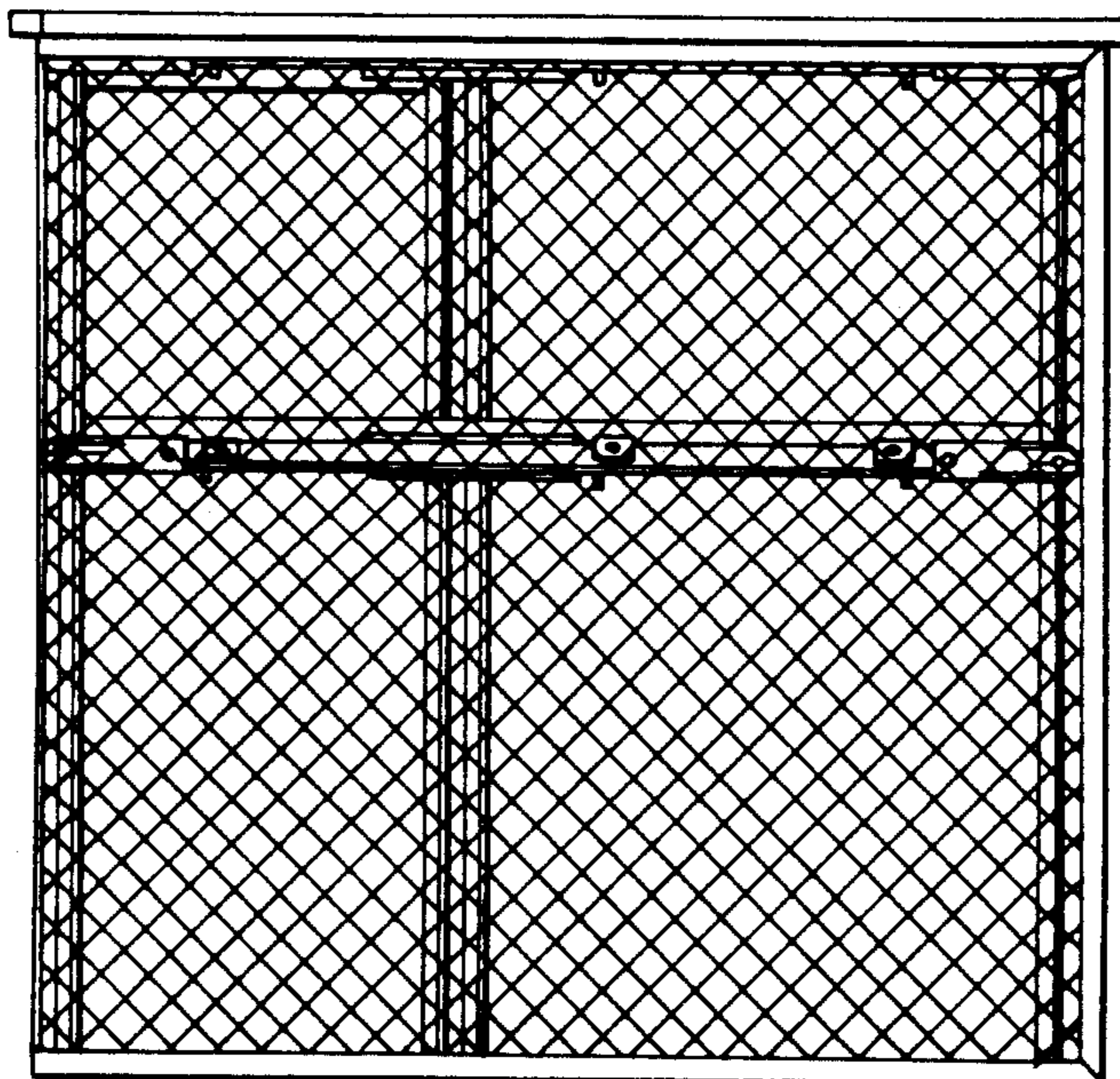




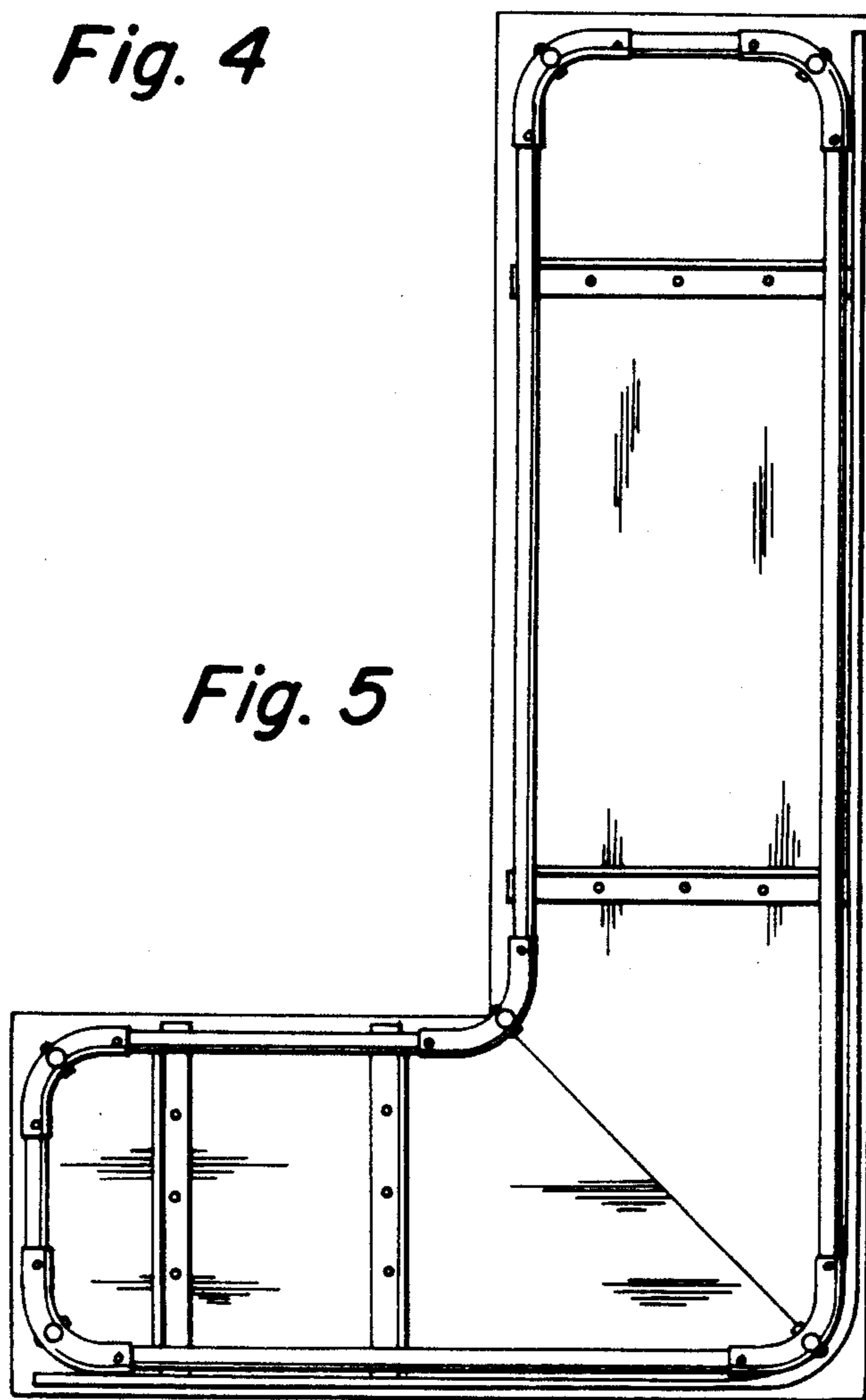
*Fig. 2*



*Fig. 3*



*Fig. 4*



*Fig. 5*