

[54] BRUSH

[75] Inventor: Louis J. Christen, Jr., St. Louis, Mo.

[73] Assignee: Christen Incorporated, St. Louis, Mo.

[**] Term: 14 Years

[21] Appl. No.: 885,091

[22] Filed: Mar. 9, 1978

[51] Int. Cl. D4-04

[52] U.S. Cl. D4/39

[58] Field of Search D4/1, 5, 10, 11, 12, D4/39, 99; 15/159 R, 159 A, 160

[56] References Cited

U.S. PATENT DOCUMENTS

D. 231,419	4/1974	Caldwell	D4/39 X
1,849,733	3/1932	Pfeffer	15/160 X
2,834,037	5/1958	Schumann	15/160
3,358,314	12/1967	Matibag	15/160 X

Primary Examiner—Catherine E. Kemper
Attorney, Agent, or Firm—Ralph W. Kalish

[57] CLAIM

The ornamental design for a brush, as shown.

DESCRIPTION

FIG. 1 is a perspective view of a brush showing my new design.

FIG. 2 is a side elevational view thereof.

FIG. 3 is a bottom plan view thereof.

FIG. 4 is a rear elevational view thereof.

FIG. 5 is a front end view thereof.

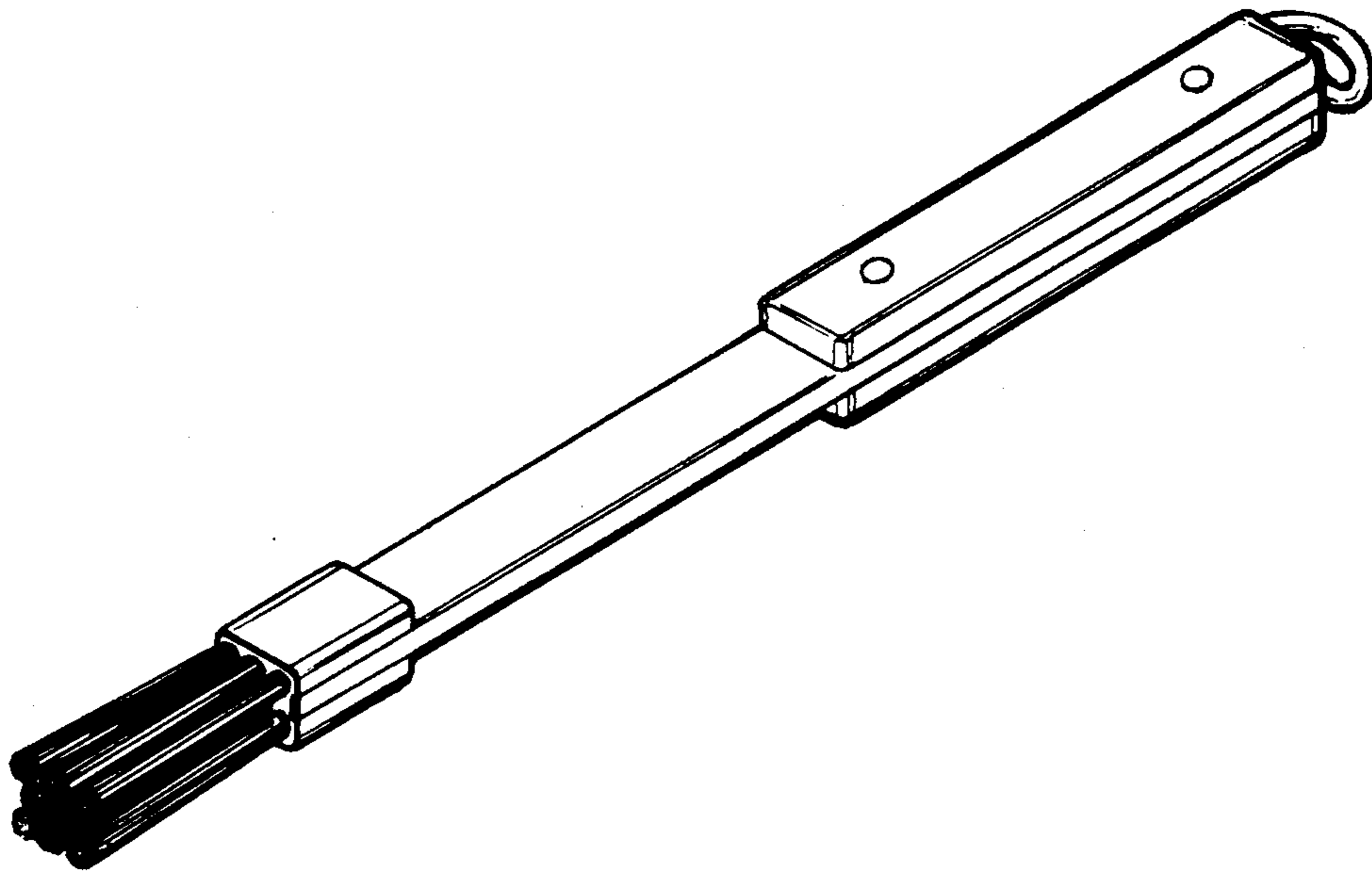


FIG. 1

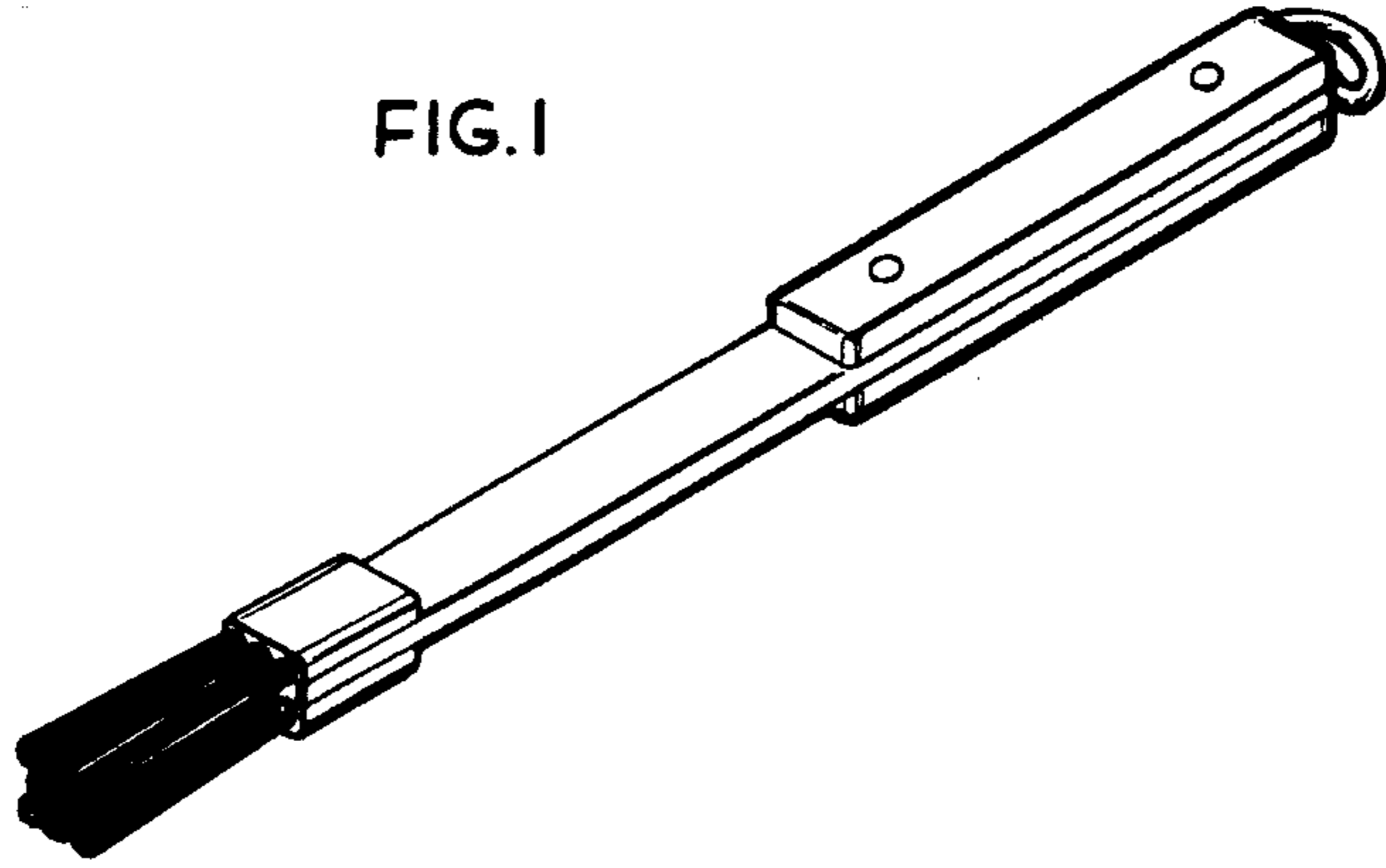


FIG. 2

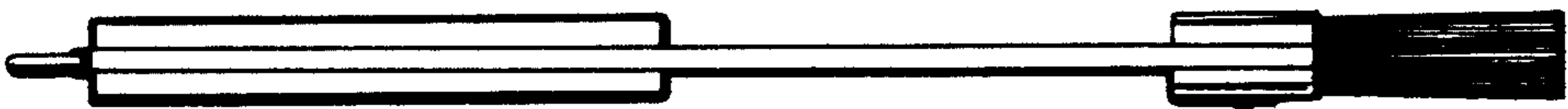


FIG. 3



FIG. 4



FIG. 5

