

[54] SPIRIT LEVEL VIAL CONTAINER

[75] Inventor: Robert H. Vanderwerf, Redding, Calif.

[73] Assignee: Vy-Dawn, Incorporated, San Rafael, Calif.

[**] Term: 14 Years

[21] Appl. No.: 886,300

[22] Filed: Mar. 13, 1978

[51] Int. Cl. D10-07

[52] U.S. Cl. D10/74; D10/69

[58] Field of Search D10/69, 74; 33/381, 33/334, 370, 371, 372, 373, 347

[56] References Cited

U.S. PATENT DOCUMENTS

D. 229,225	11/1973	Covey	D10/69
703,306	6/1902	Roe	33/381
1,052,447	2/1913	Armstrong	33/381 X
1,200,410	10/1916	Chemrinsky	33/381 X

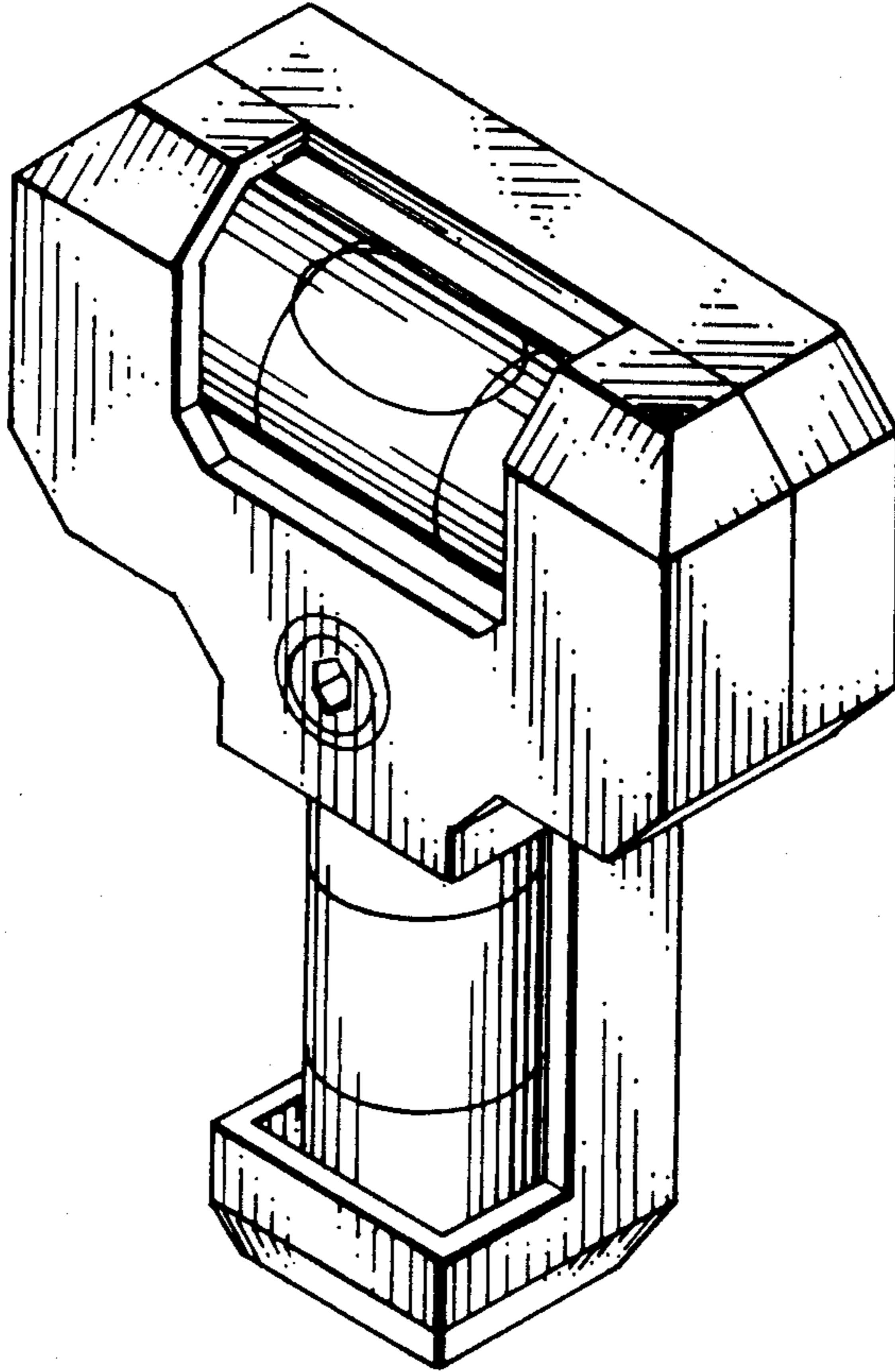
Primary Examiner—Nelson C. Holtje
Attorney, Agent, or Firm—Neil F. Markva

[57] CLAIM

The ornamental design for a spirit level vial container, as shown and described.

DESCRIPTION

FIG. 1 is a front perspective view of the spirit level vial container showing my new design; FIG. 2 is a rear perspective view thereof.



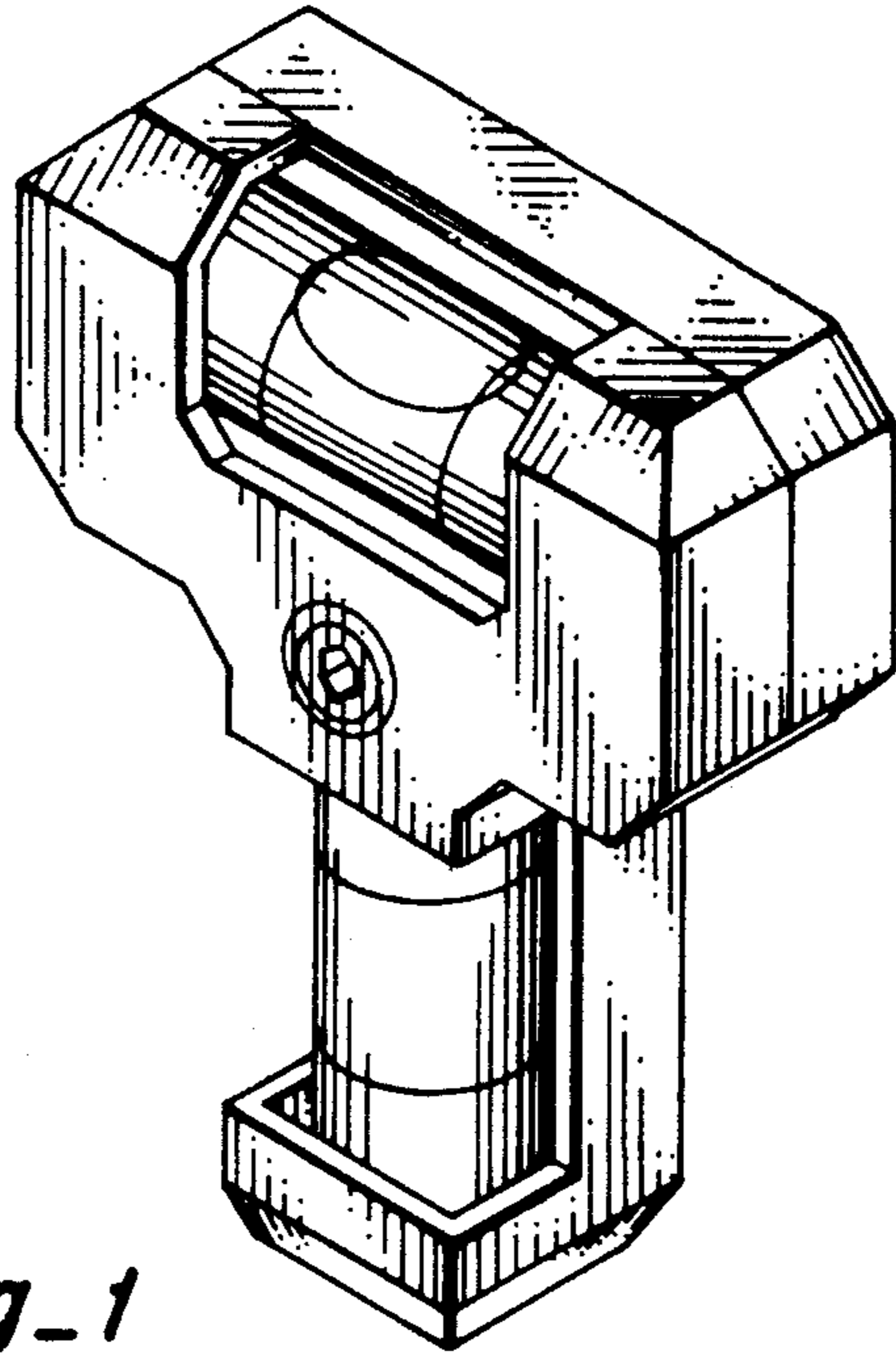


Fig-1

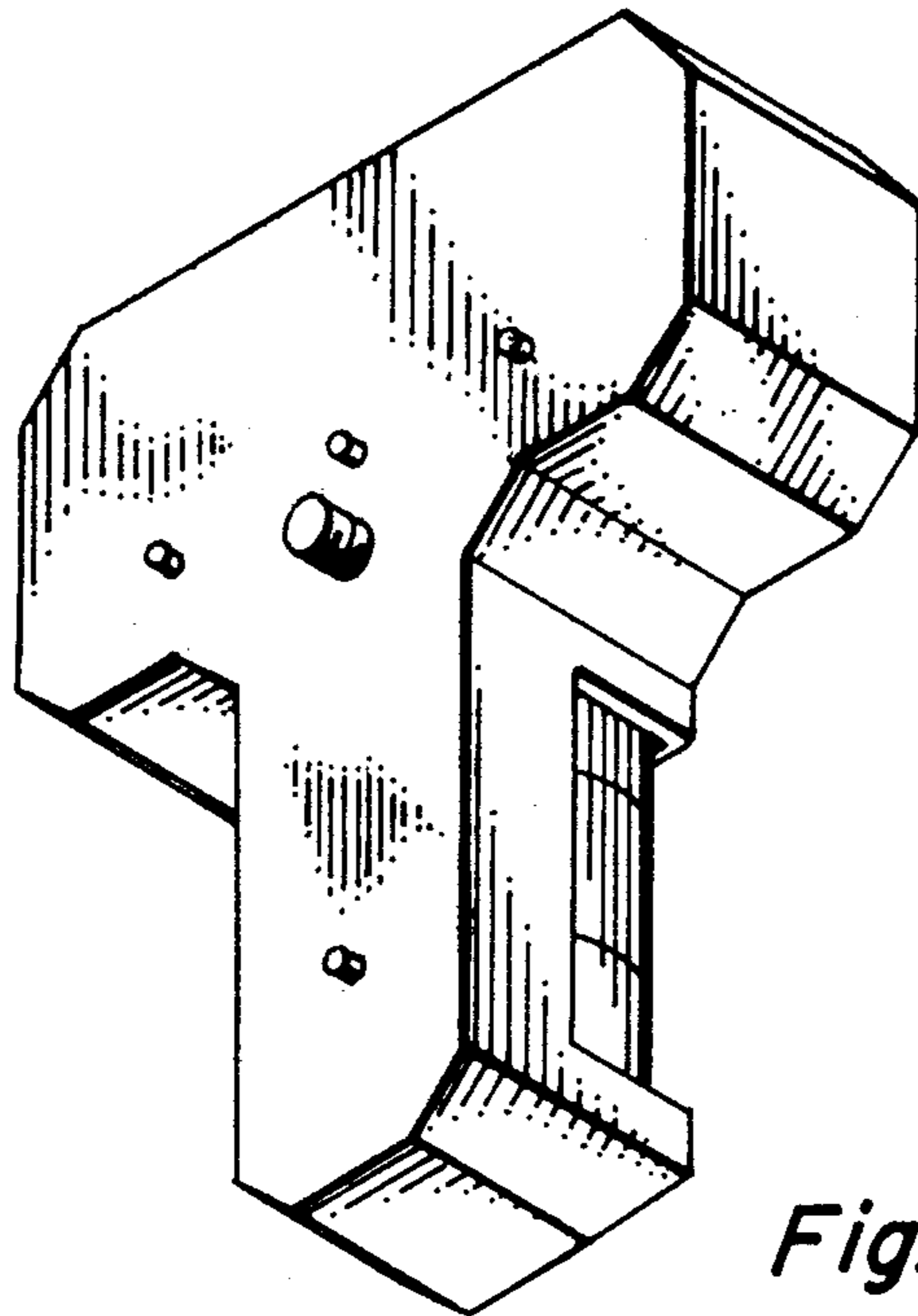


Fig-2