

[54] BOX SPLINT

3,568,671 3/1971 Graham ..... 128/87 R  
3,624,745 11/1971 Bowers ..... 128/87 R

[76] Inventor: Mortimer Gulden, East Jamaica, Vt.  
05343

Primary Examiner—Bernard Ansher  
Attorney, Agent, or Firm—James E. Mrose

[\*\*] Term: 14 Years

[57] CLAIM

[21] Appl. No.: 882,954

The ornamental design for a box splint, substantially as shown.

[22] Filed: Mar. 2, 1978

[51] Int. Cl. .... D24-04

[52] U.S. Cl. .... D24/64

[58] Field of Search ..... 128/93, 87 R, 88, Dig. 15,  
128/84 R, 85, 89 R; D24/64; D21/234

DESCRIPTION

FIG. 1 is a perspective view of a box splint showing my new design;

FIG. 2 is a top plan view thereof;

FIG. 3 is a side elevational view thereof, looking toward the right side thereof;

FIG. 4 is a side elevational view thereof, looking toward the left side thereof;

FIG. 5 is a front elevational view thereof;

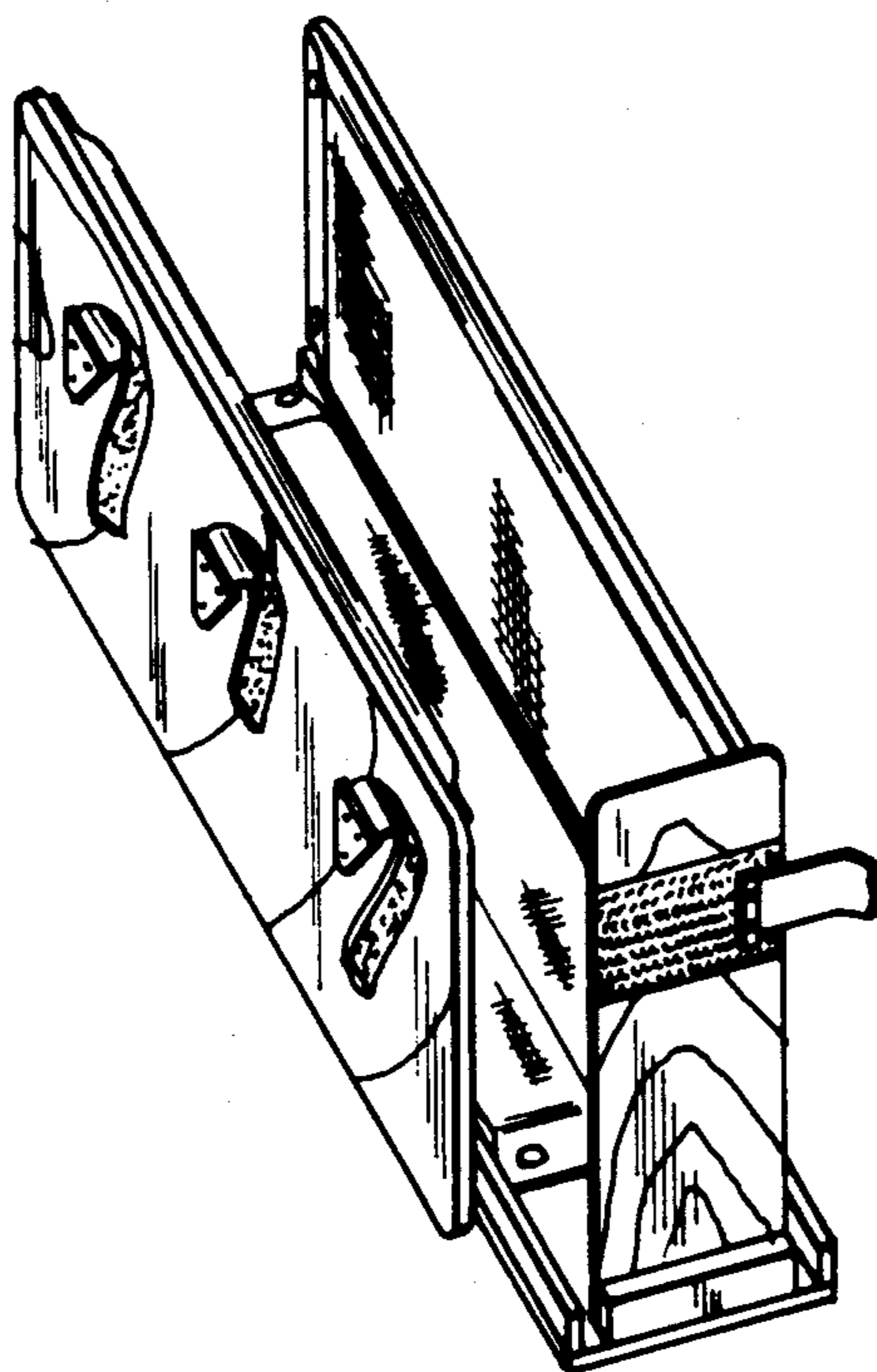
FIG. 6 is a rear elevational view thereof; and

FIG. 7 is a bottom plan view thereof.

[56] References Cited

U.S. PATENT DOCUMENTS

D. 170,885	11/1953	Neville .....	D24/64
2,984,239	5/1961	Taylor .....	128/87 R
3,003,625	10/1961	Anderson .....	128/87 R



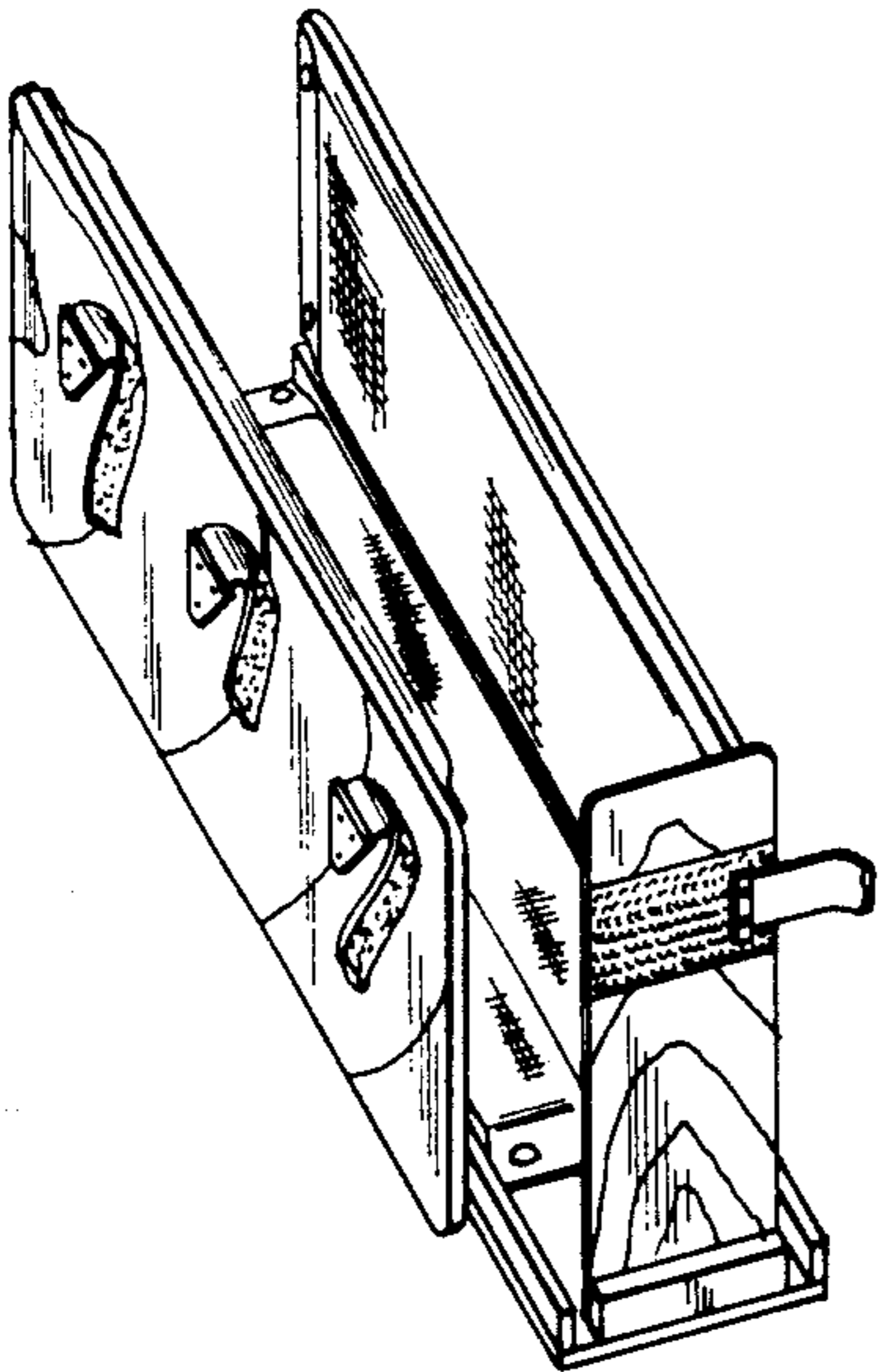


FIG. 1

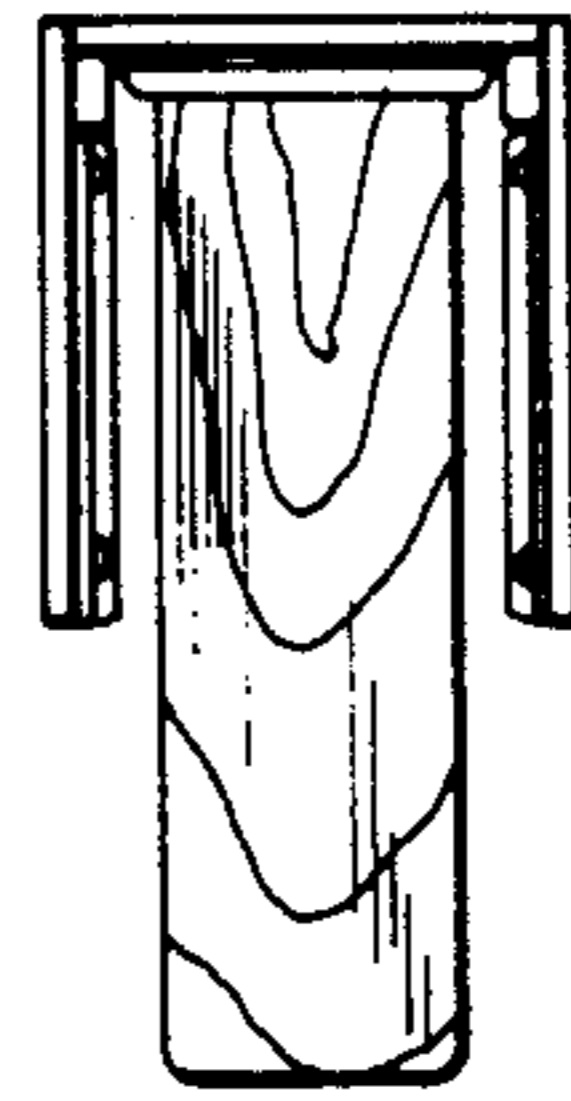


FIG. 2

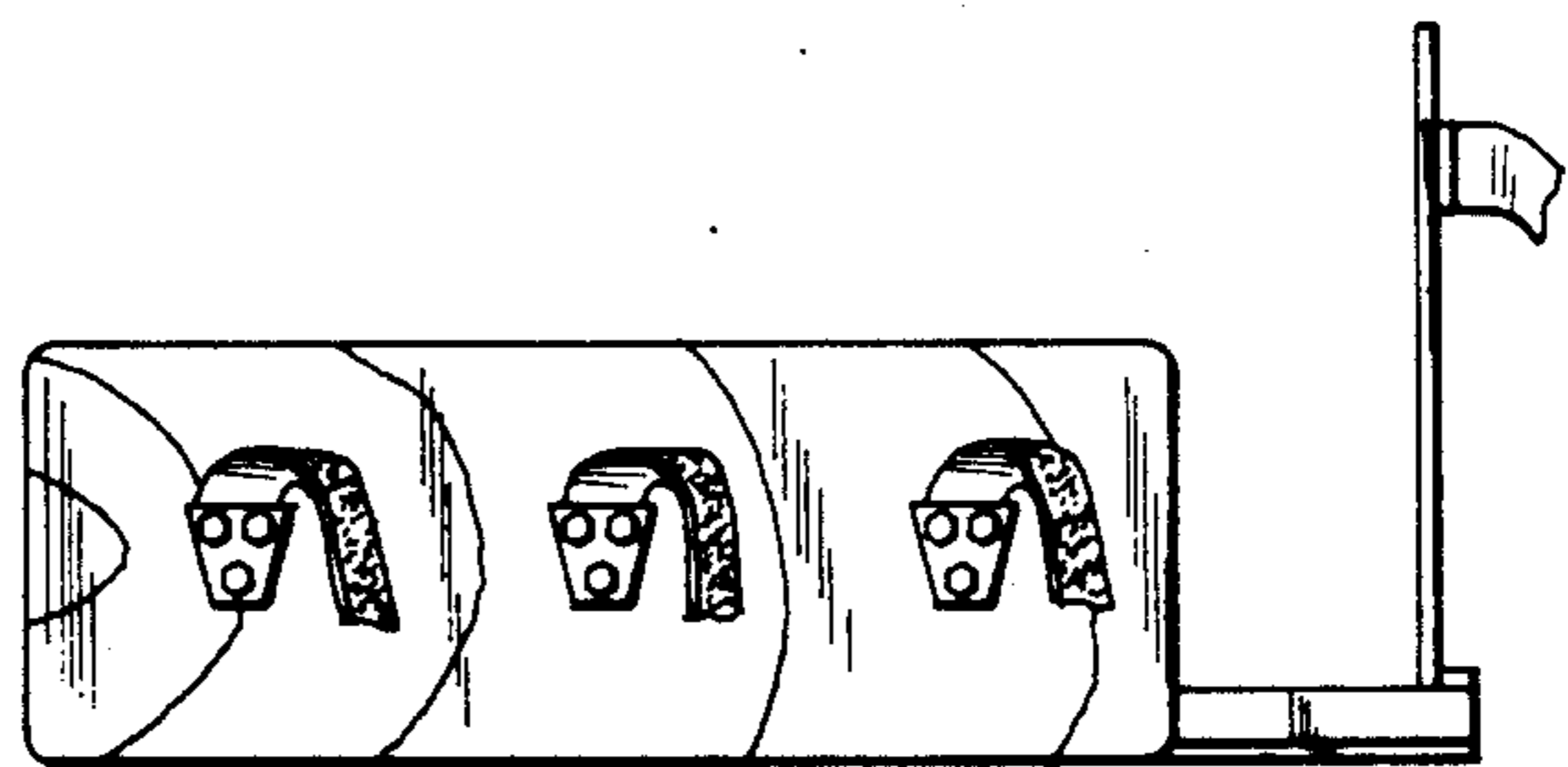


FIG. 3

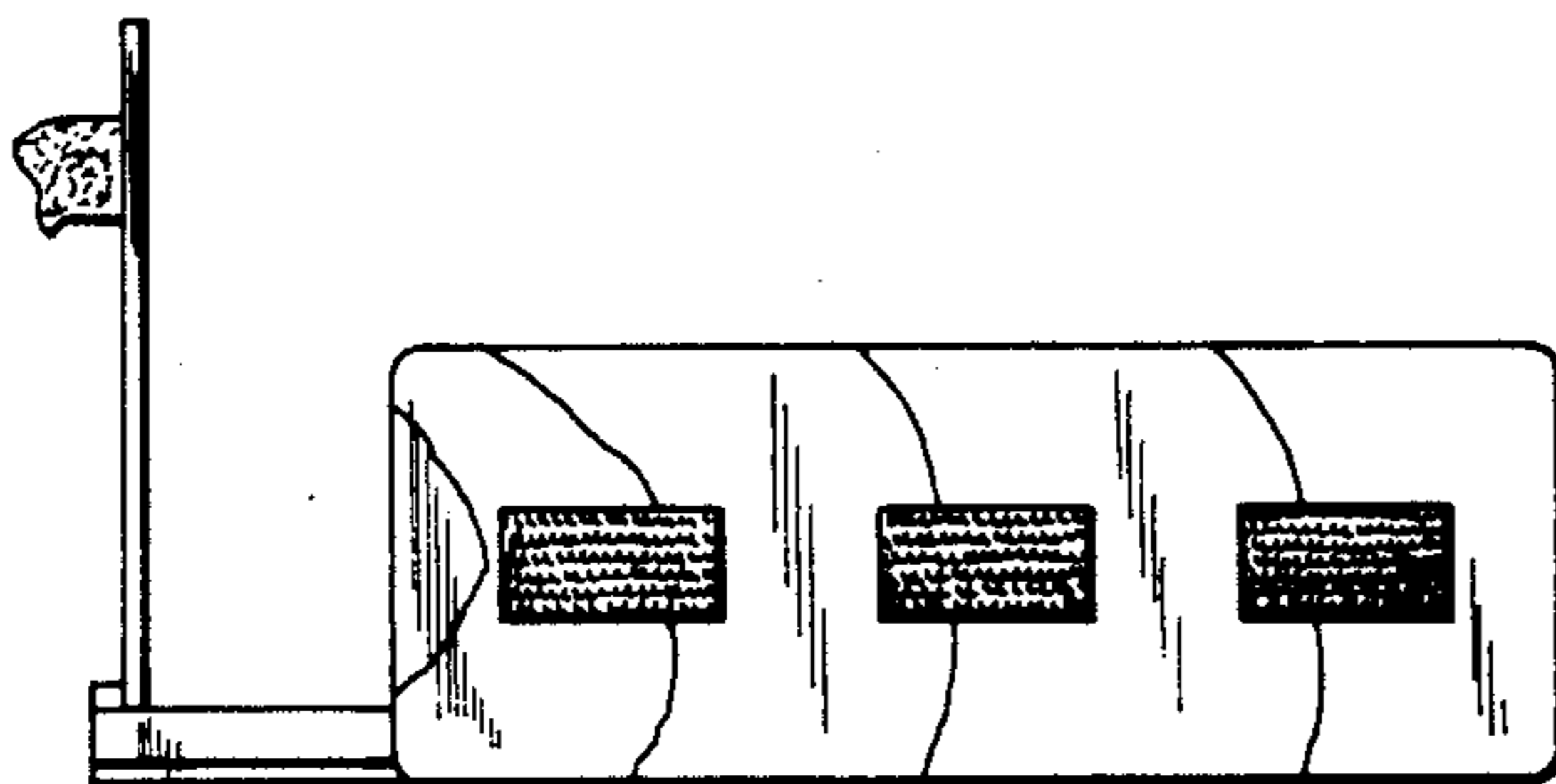


FIG. 4

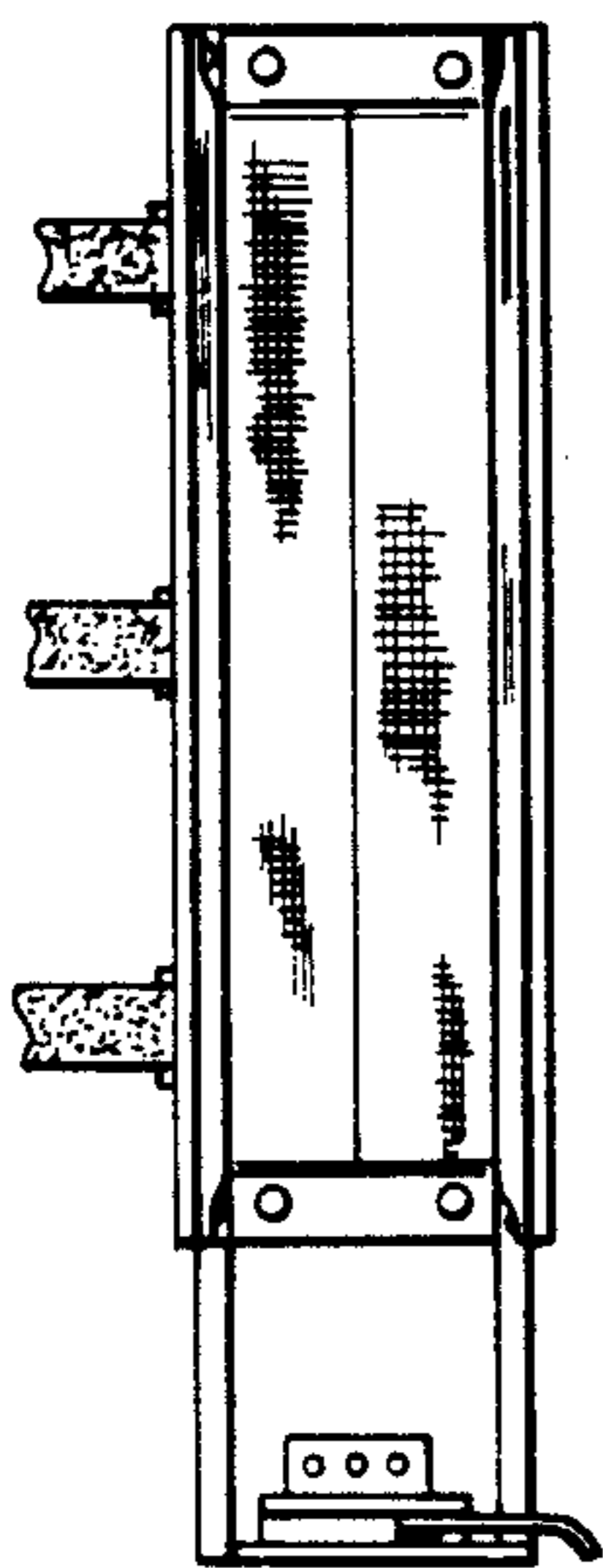


FIG. 5

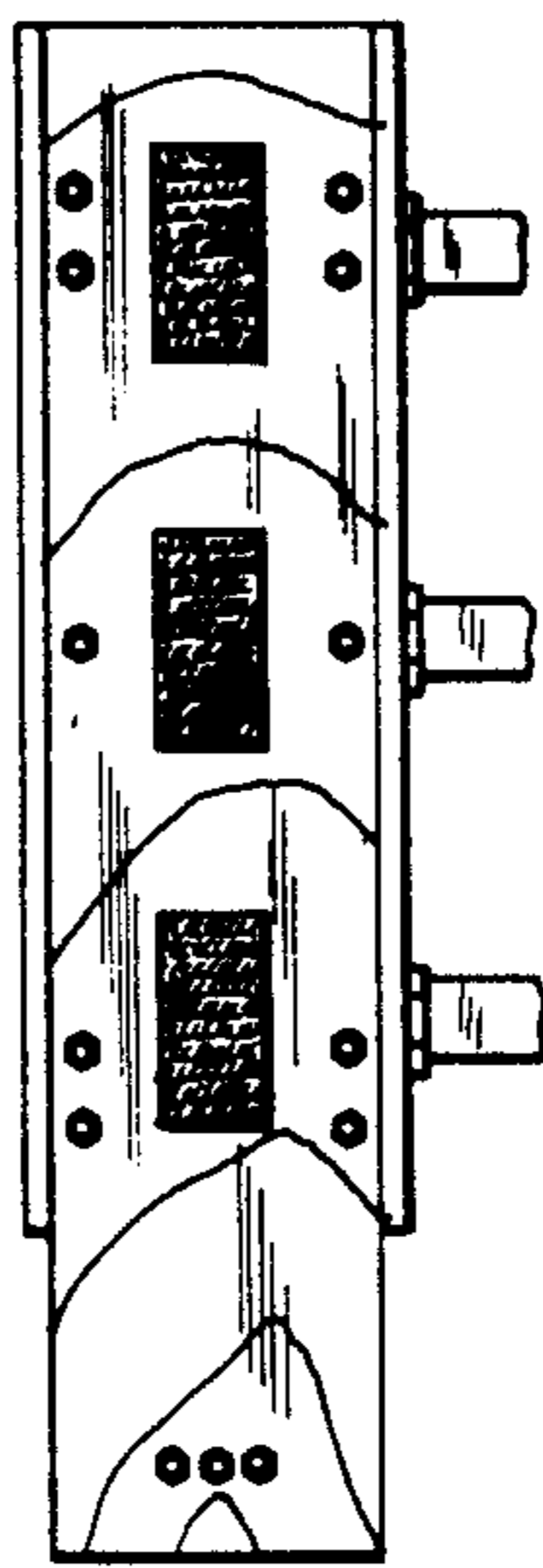


FIG. 6



FIG. 7