

- [54] TALAR SURFACE GAGE
- [75] Inventor: Danny L. Pastrick, Warsaw, Ind.
- [73] Assignee: Zimmer USA, Inc., Warsaw, Ind.
- [\*\*] Term: 14 Years
- [21] Appl. No.: 888,109
- [22] Filed: Mar. 20, 1978
- [51] Int. Cl. .... D24-02
- [52] U.S. Cl. .... D24/26; D24/8;  
128/92 E; 3/1.91
- [58] Field of Search ..... 3/1.91; 128/92 E, 303 R;  
D24/26, 8

|            |        |                  |          |
|------------|--------|------------------|----------|
| D. 245,919 | 9/1977 | Shen .....       | D24/26   |
| 3,879,766  | 4/1975 | Lowe et al. .... | 3/1.91   |
| 3,955,568  | 5/1976 | Neufeld .....    | 128/92 E |

Primary Examiner—Bernard Ansher  
 Attorney, Agent, or Firm—Richard H. Brink

[57] CLAIM

The ornamental design for a talar surface gage, shown and described.

DESCRIPTION

FIG. 1 is a side elevational view of a talar surface gage, showing my new design;  
 FIG. 2 is a top plan view thereof;  
 FIG. 3 is a bottom plan view thereof;  
 FIG. 4 is a front elevation thereof;  
 FIG. 5 is an auxiliary front view thereof taken along line 5-5 of FIG. 1;  
 FIG. 6 is a rear elevation thereof; and  
 FIG. 7 is a perspective view thereof.

- [56] References Cited
- U.S. PATENT DOCUMENTS
- |            |        |                  |        |
|------------|--------|------------------|--------|
| D. 243,123 | 1/1977 | Shen et al. .... | D24/8  |
| D. 245,918 | 9/1977 | Shen .....       | D24/26 |

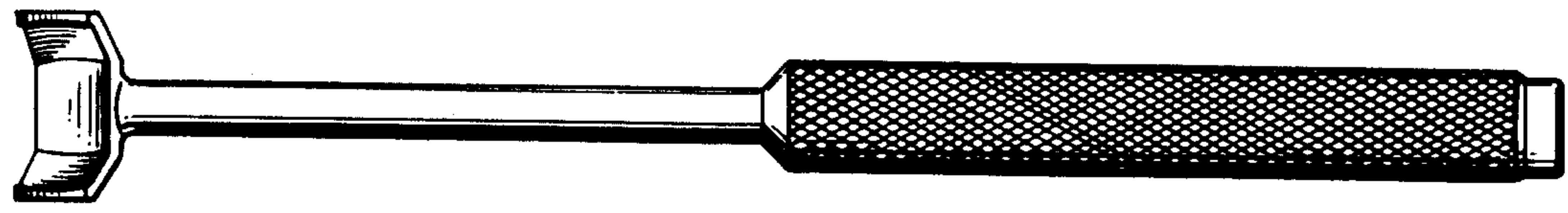
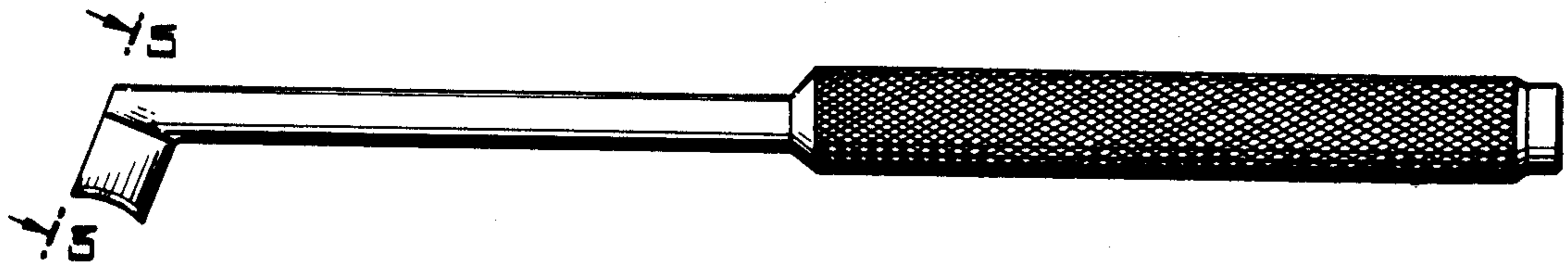


Fig. 1.

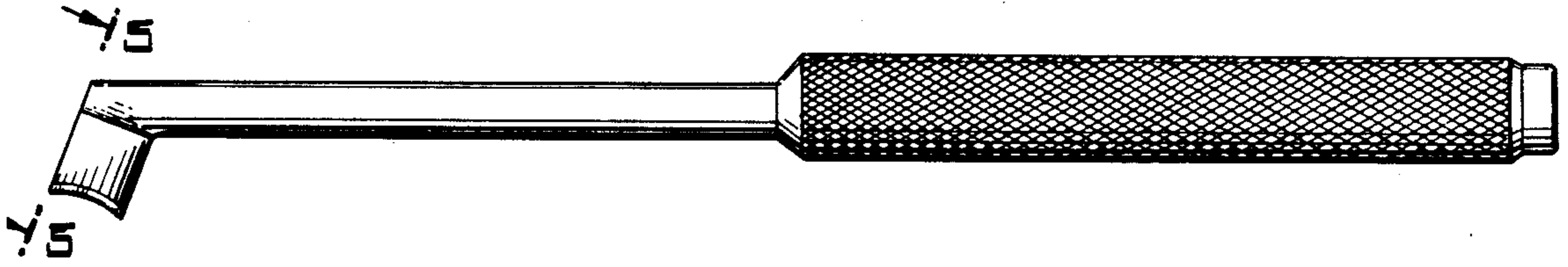


Fig. 2.

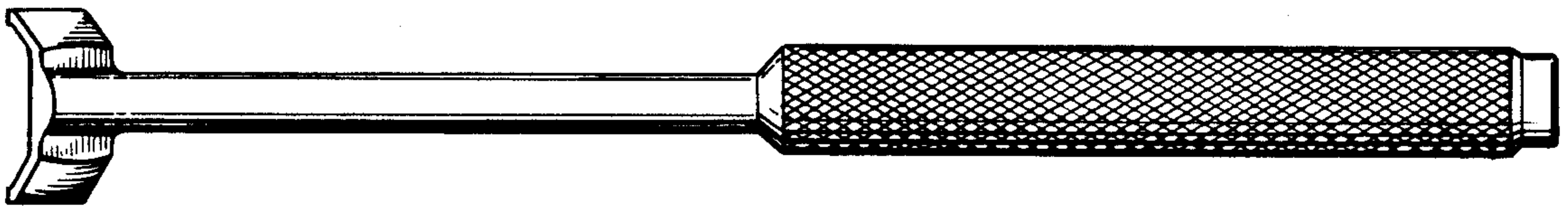


Fig. 3.

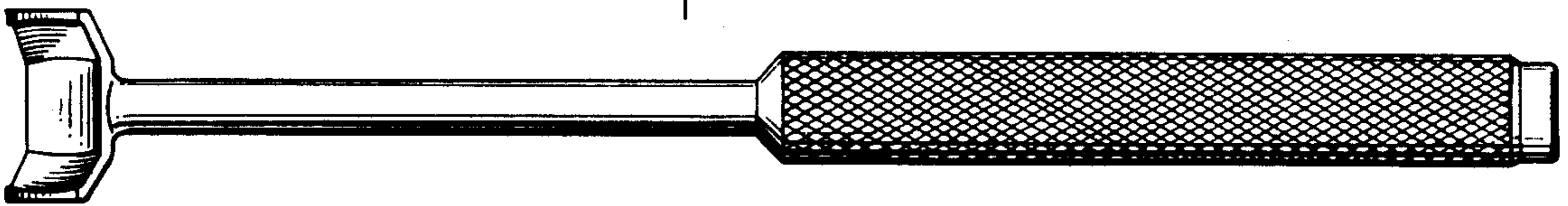


Fig. 4.

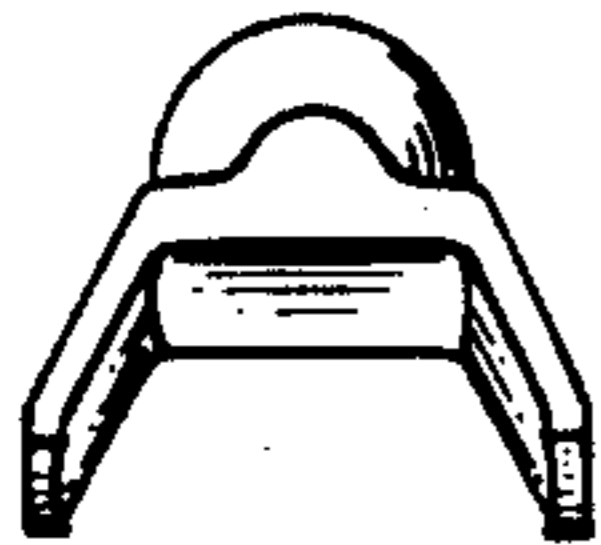


Fig. 5.



Fig. 6.



Fig. 7.

