

[54] COLLIMATOR SPUD  
 [75] Inventor: James R. Chambers, Durango, Colo.  
 [73] Assignee: Outdoor Sports Industries, Inc.,  
 Denver, Colo.  
 [\*\*] Term: 14 Years  
 [21] Appl. No.: 841,144  
 [22] Filed: Oct. 11, 1977

[51] Int. Cl. .... D22-99  
 [52] U.S. Cl. .... D22/7; D16/48  
 [58] Field of Search ..... D22/1, 3, 6, 7-8;  
 D16/48, 49, 51; 89/31; 73/167; D10/46, 109;  
 42/90; 350/11; 356/138, 241, 153

[56] **References Cited**  
**U.S. PATENT DOCUMENTS**  
 D. 173,045 9/1954 Smart ..... D16/48  
 D. 238,513 1/1976 Van Exel ..... D16/49 X  
 3,920,335 11/1975 Seehase ..... 356/241 X

3,950,878 4/1976 Musgrave ..... 42/90  
 4,135,824 1/1979 Jones ..... 356/241

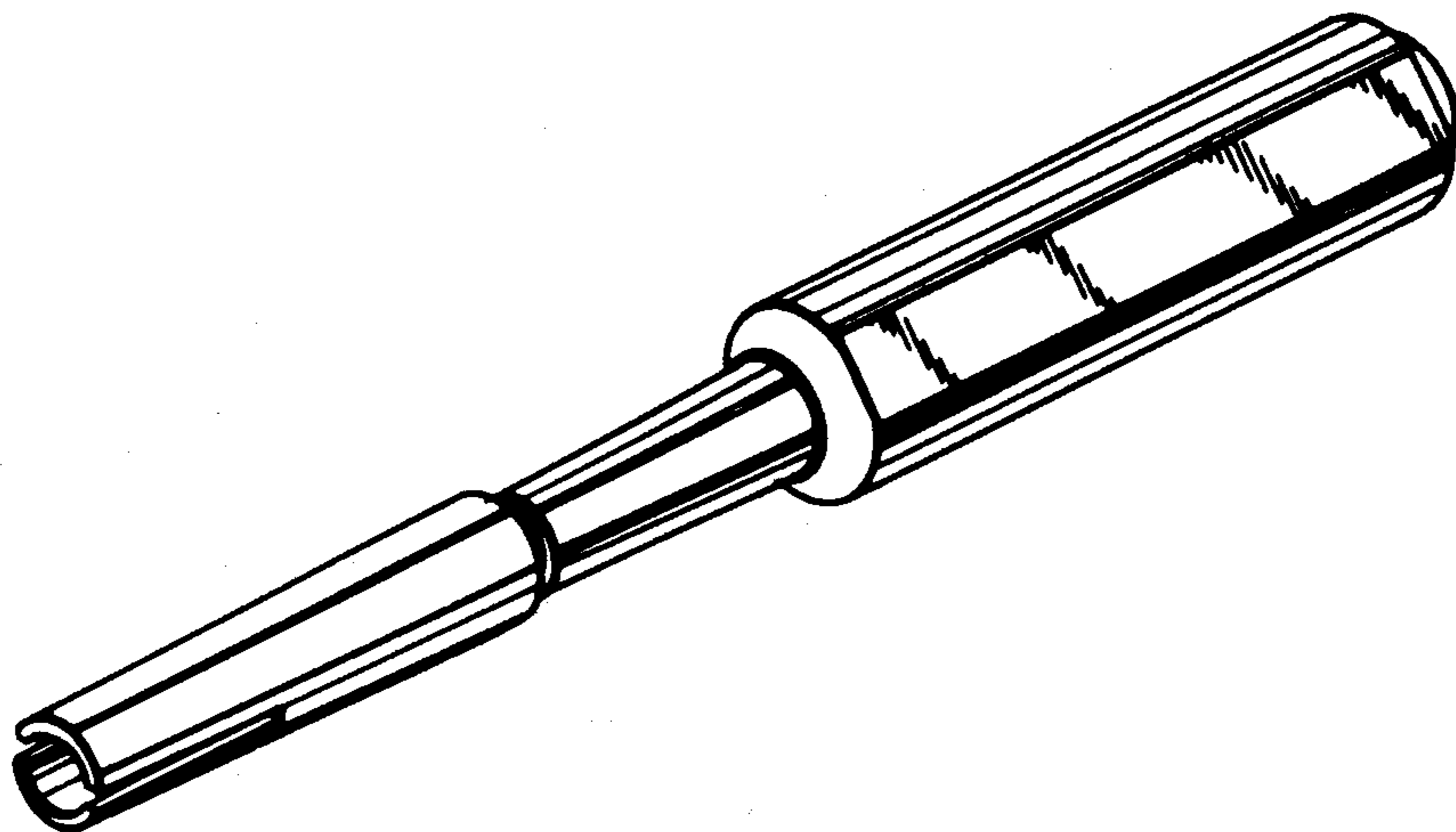
*Primary Examiner*—A. Hugo Word  
*Attorney, Agent, or Firm*—Sheridan, Ross, Fields &  
 McIntosh

[57] **CLAIM**

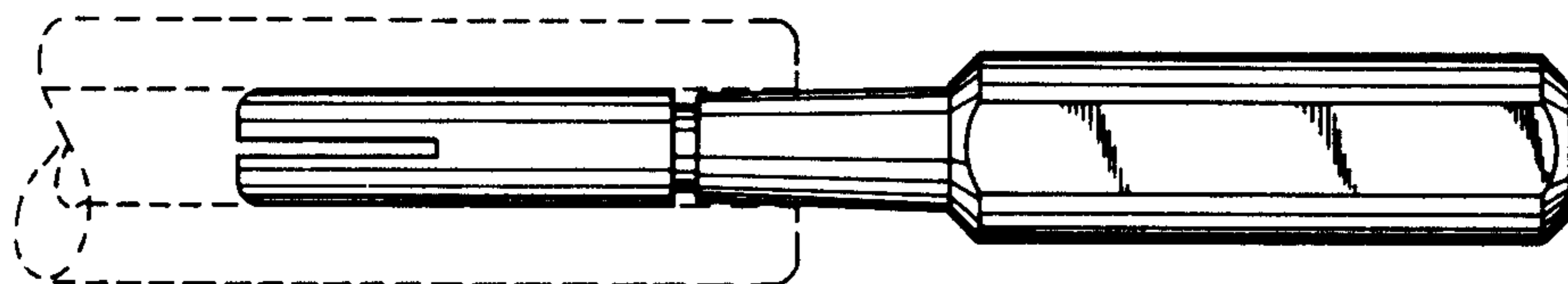
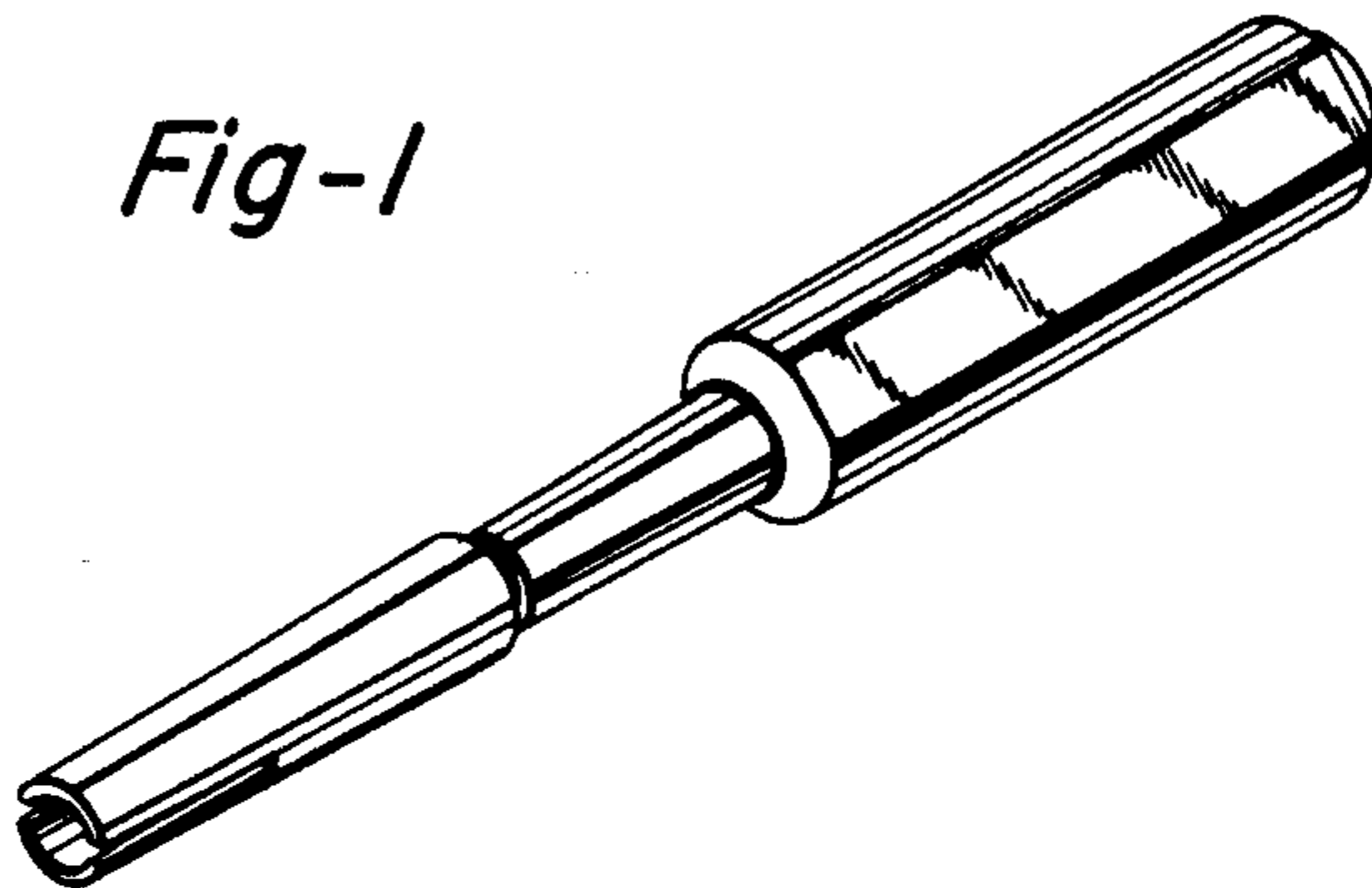
The ornament design for a collimator spud, as shown and described.

**DESCRIPTION**

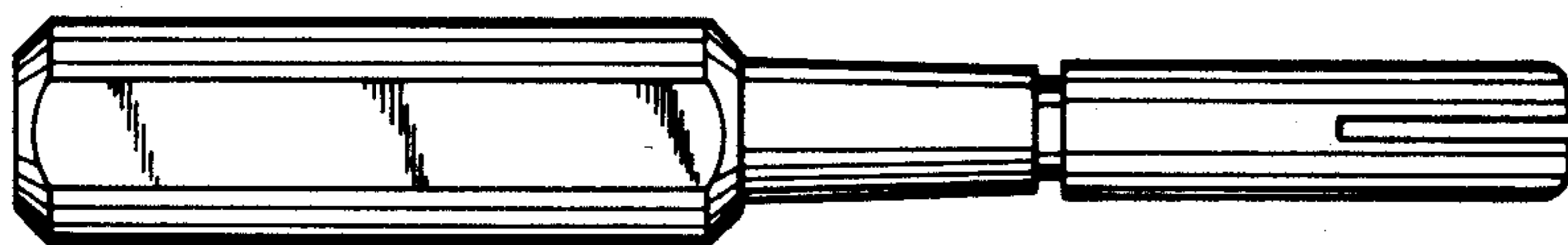
FIG. 1 is a perspective view of the collimator spud showing my new design;  
 FIG. 2 is a side view showing the spud inserted in the muzzle of a firearm barrel;  
 FIG. 3 is a side view thereof;  
 FIG. 4 is an end view thereof; and  
 FIG. 5 is a side view of another embodiment of the design for a larger bore firearm.  
 The muzzle shown in dotted lines in FIG. 2 is for illustrative purposes only.



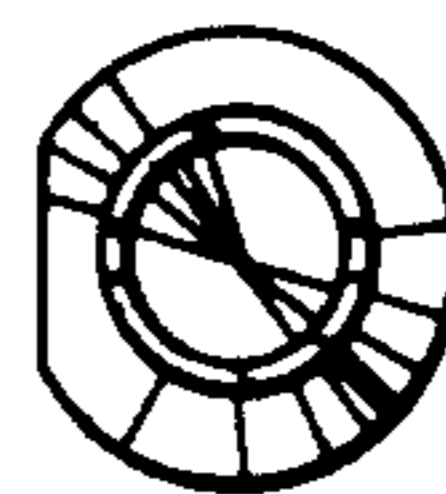
*Fig-1*



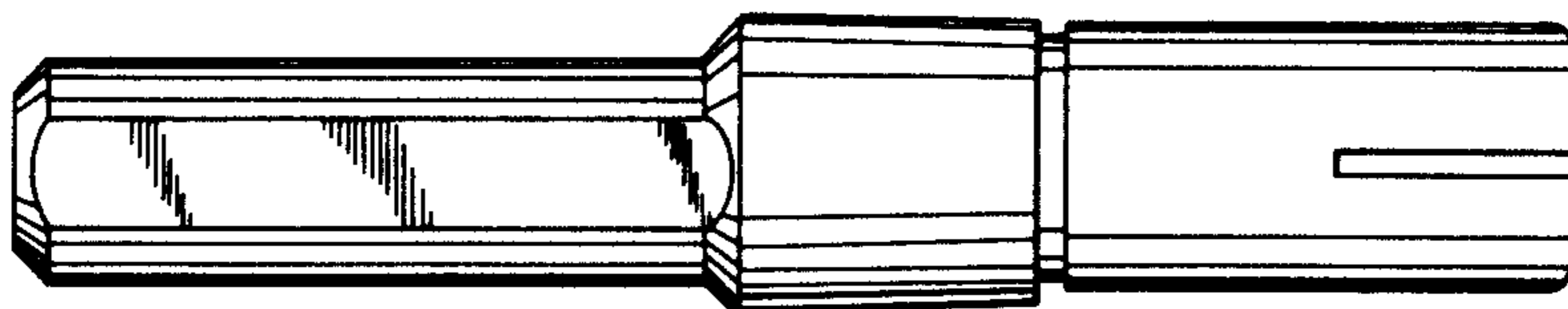
*Fig-2*



*Fig-3*



*Fig-4*



*Fig-5*