

[54] TOY RAMP

[75] Inventor: Michael I. Satten, Great Neck Estates, N.Y.

[73] Assignee: CBS Inc., New York, N.Y.

[**] Term: 14 Years

[21] Appl. No.: 864,645

[22] Filed: Dec. 27, 1977

[51] Int. Cl. D21-01

[52] U.S. Cl. D21/109; D21/59

[58] Field of Search D21/109, 59, 141, 143, D21/142; 46/1 R, 1 B, 1 J, 1 K, 257

[56] References Cited

U.S. PATENT DOCUMENTS

D. 216,205 12/1969 Boydman D21/143

OTHER PUBLICATIONS

J. C. Penny Xmas Catalog, 1972, p. 387, item No. 1, ramp for toy cycle including arch, at top of page. Sears Xmas Catalog, 1974, p. 576, toy ramp in item 5. J. C. Penny Xmas Catalog, 1975, p. 397, item No. 1, toy ramp.

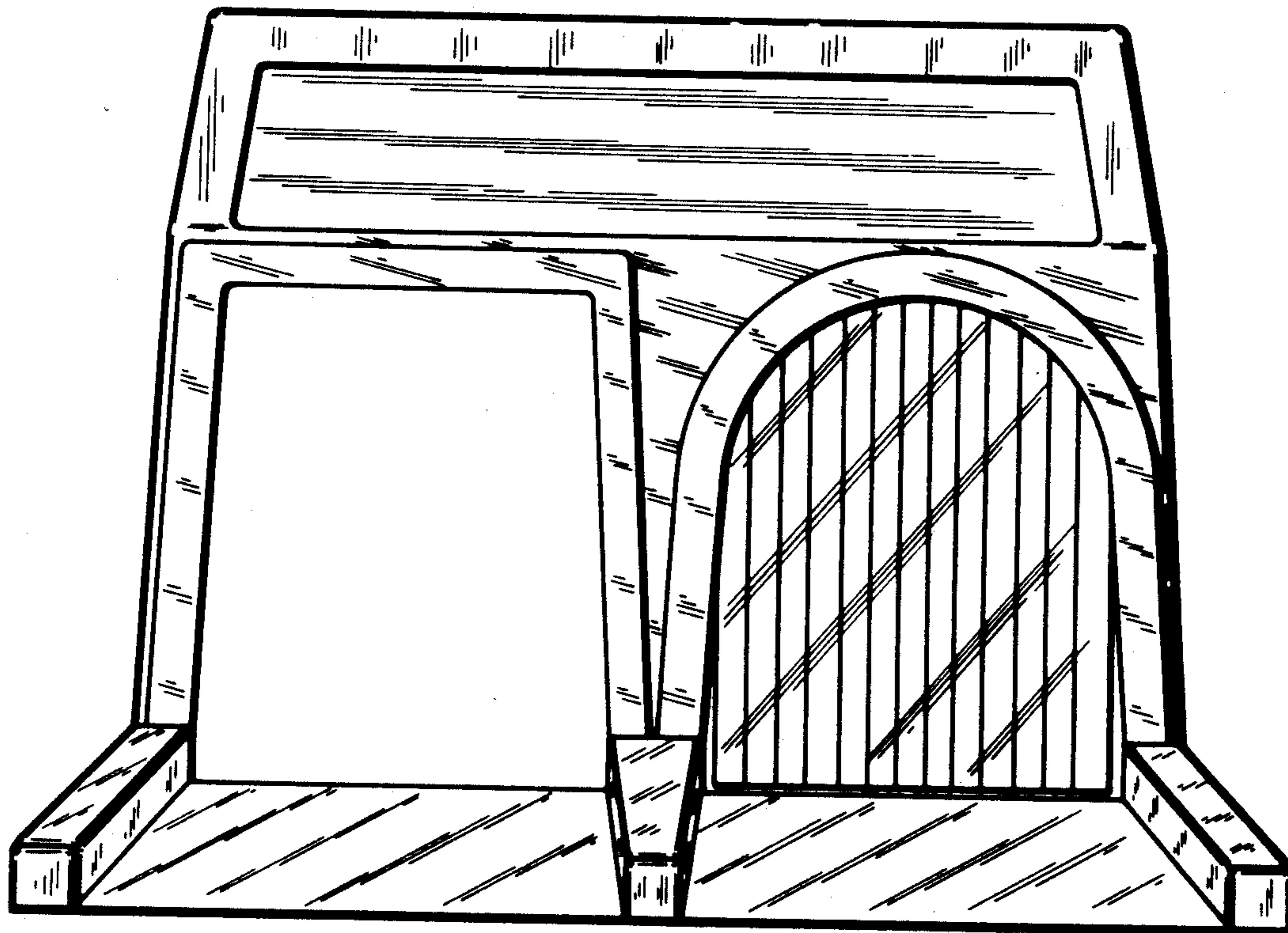
Primary Examiner—Charles A. Rademaker
Attorney, Agent, or Firm—Seidel, Gonda, Goldhammer & Panitch

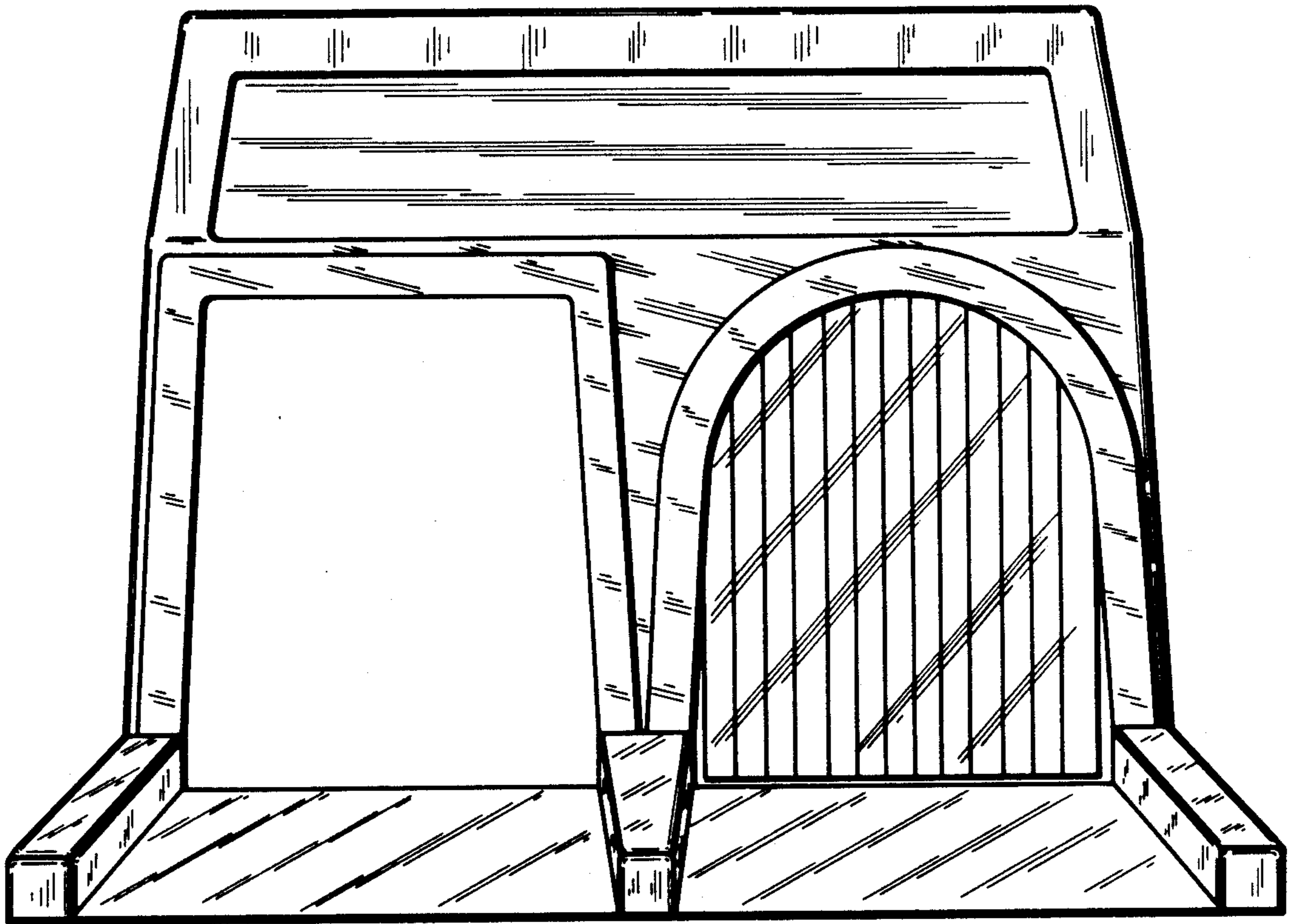
[57] CLAIM

the ornamental design for a toy ramp, as shown and described.

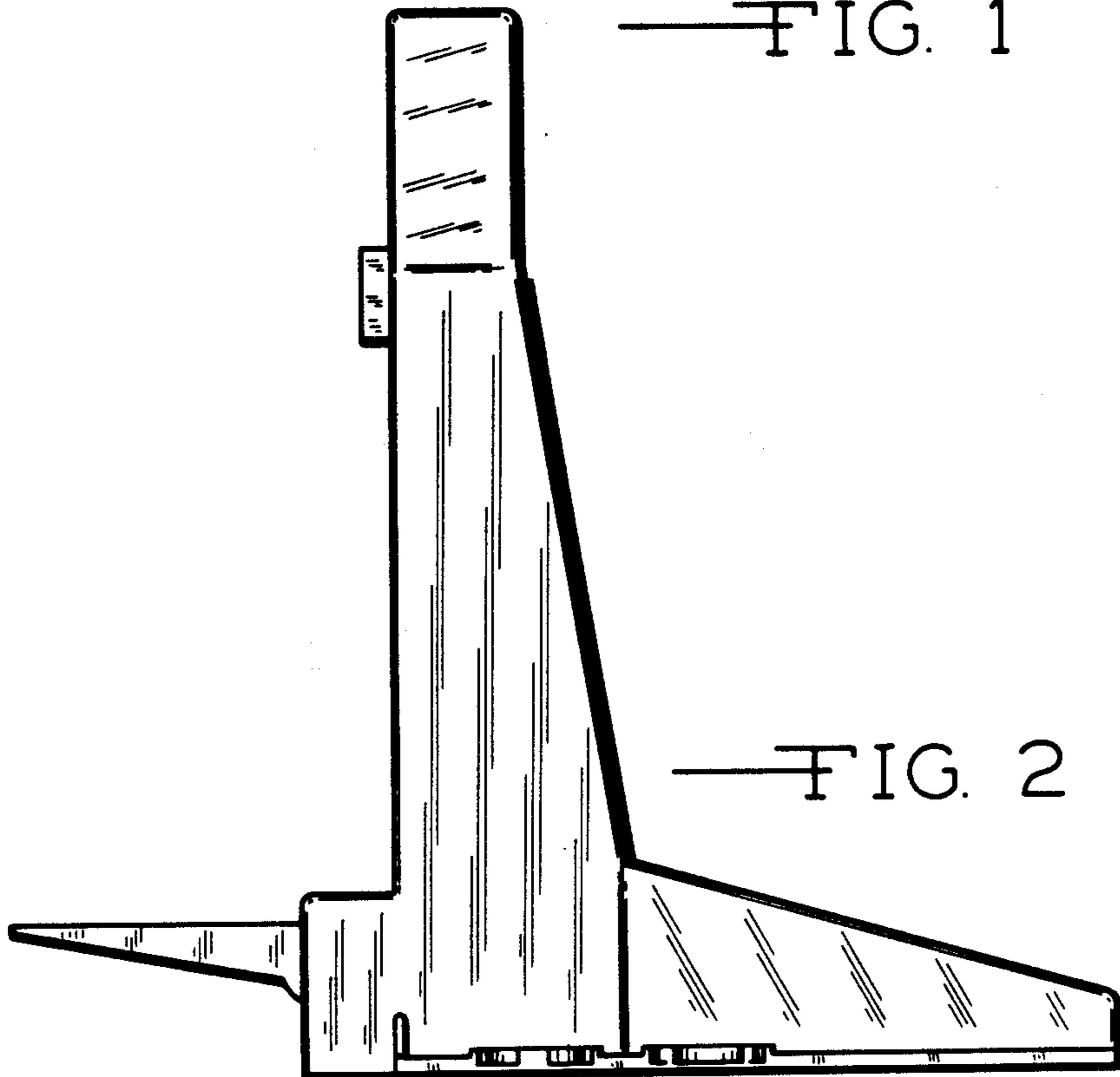
DESCRIPTION

FIG. 1 is a front elevational view of a toy ramp showing my new design; FIG. 2 is a left side elevational view thereof; FIG. 3 is a rear elevational view thereof; FIG. 4 is a right side elevational view thereof; and FIG. 5 is a bottom plan view thereof.

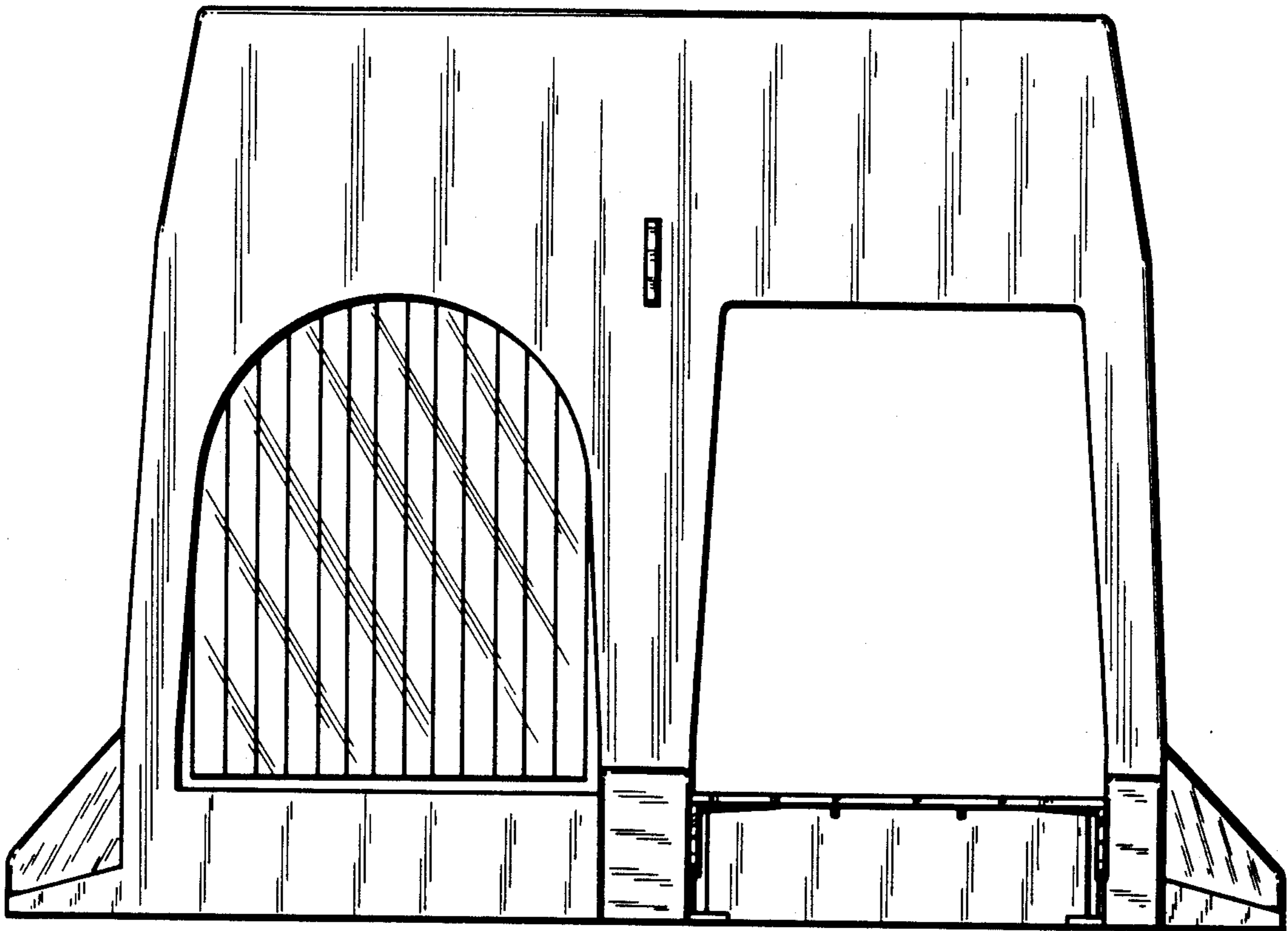




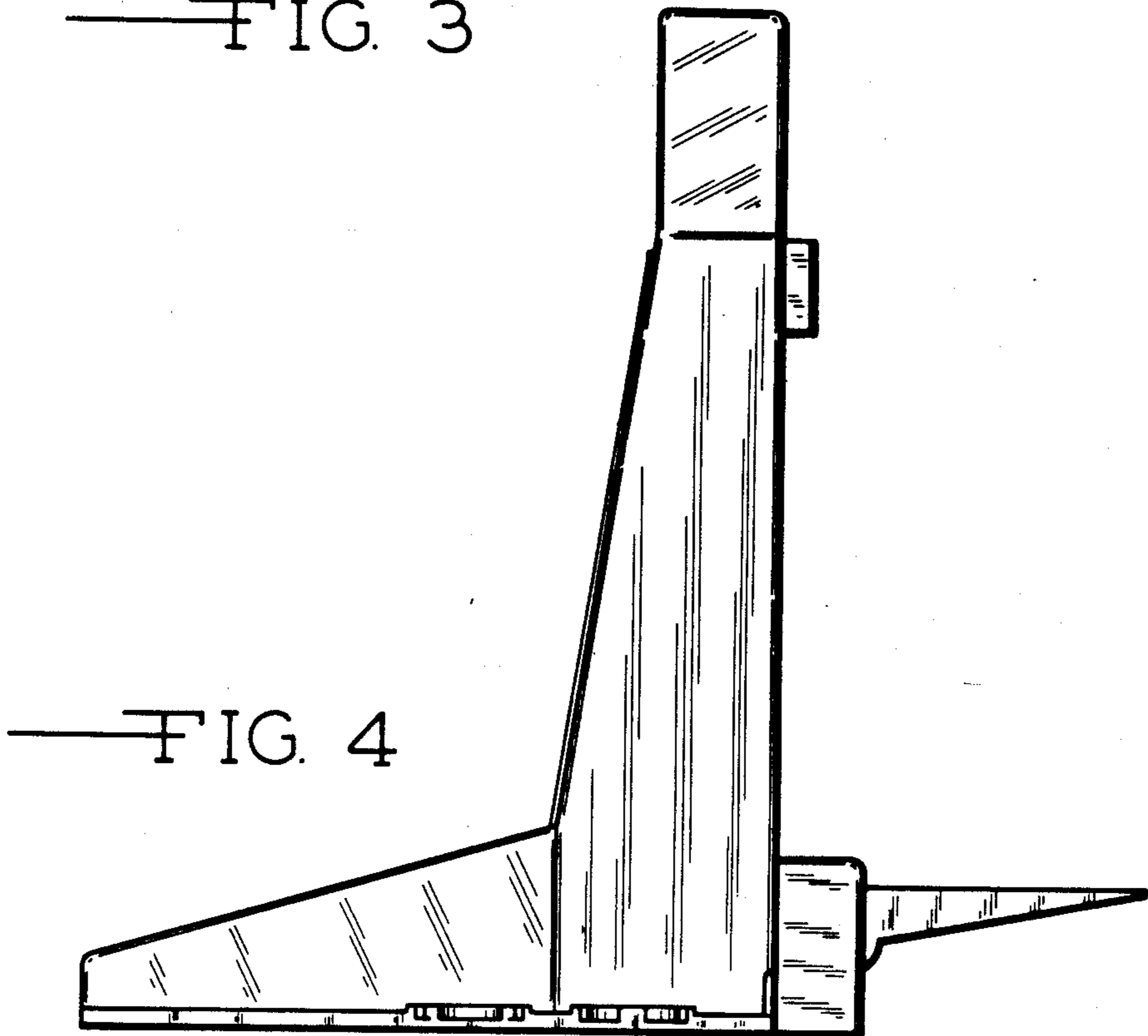
— FIG. 1



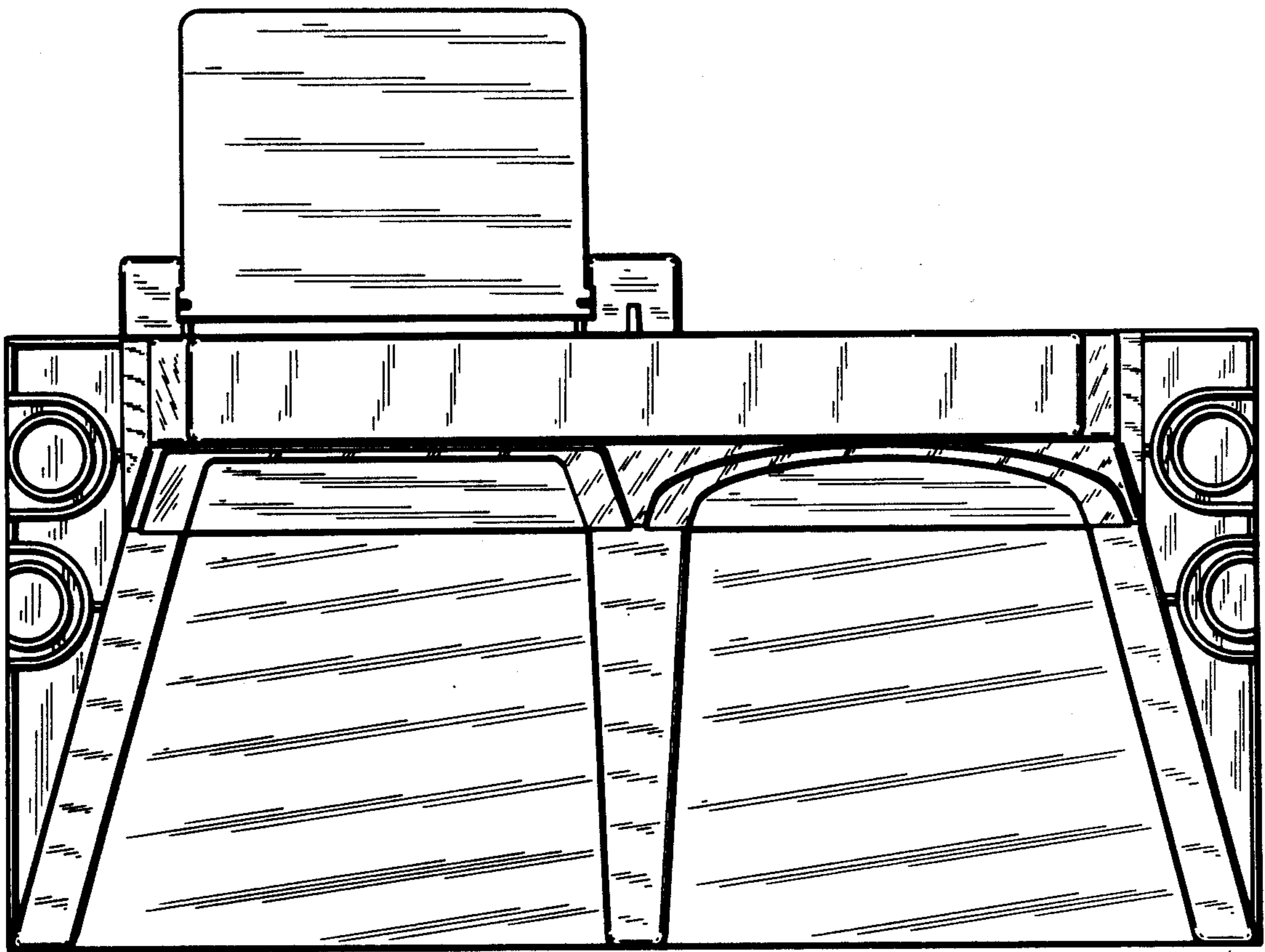
— FIG. 2



— FIG. 3



— FIG. 4



—FIG. 5