

[54] SIMULATIVE TOY TOP

[76] Inventor: Ray W. Johnson, 2726 Mason Ter.,
Wichita, Kans. 67216

[**] Term: 14 Years

[21] Appl. No.: 884,718

[22] Filed: Mar. 8, 1978

[51] Int. Cl. D21-01

[52] U.S. Cl. D21/96

[58] Field of Search D21/82, 92, 95, 96,
D21/97, 98, 99; 46/47, 51, 60, 64-72

[56] References Cited

U.S. PATENT DOCUMENTS

- D. 61,154 7/1922 Fletcher D21/98
- D. 225,423 12/1972 Tanis et al. D21/96
- D. 246,614 12/1977 Johnson D21/96

FOREIGN PATENT DOCUMENTS

911715 7/1949 Fed. Rep. of Germany 46/72

OTHER PUBLICATIONS

Drive in Fast Service, 2-1975, p. 32, pizza at top of page.

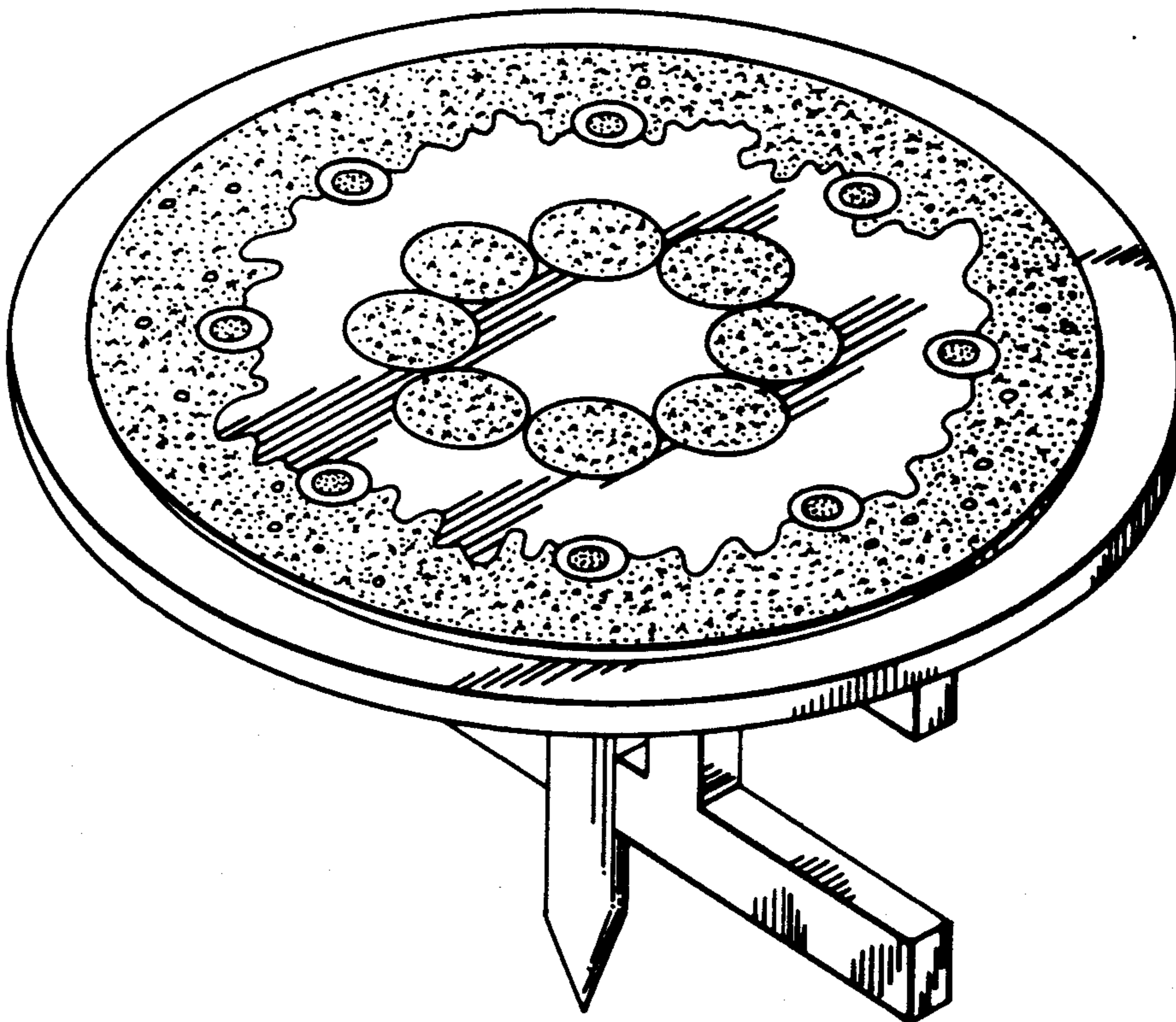
Primary Examiner—Charles A. Rademaker
Attorney, Agent, or Firm—George B. White

[57] CLAIM

The ornamental design for simulative toy top, as shown and described.

DESCRIPTION

FIG. 1 is a front perspective view of a simulative toy top showing my new design;
 FIG. 2 is a side elevational view of FIG. 1;
 FIG. 3 is a side elevational view thereof rotated ninety degrees;
 FIG. 4 is a bottom plan view of FIG. 2; and,
 FIG. 5 is a fragmentary view of the side opposite that shown in FIG. 3.



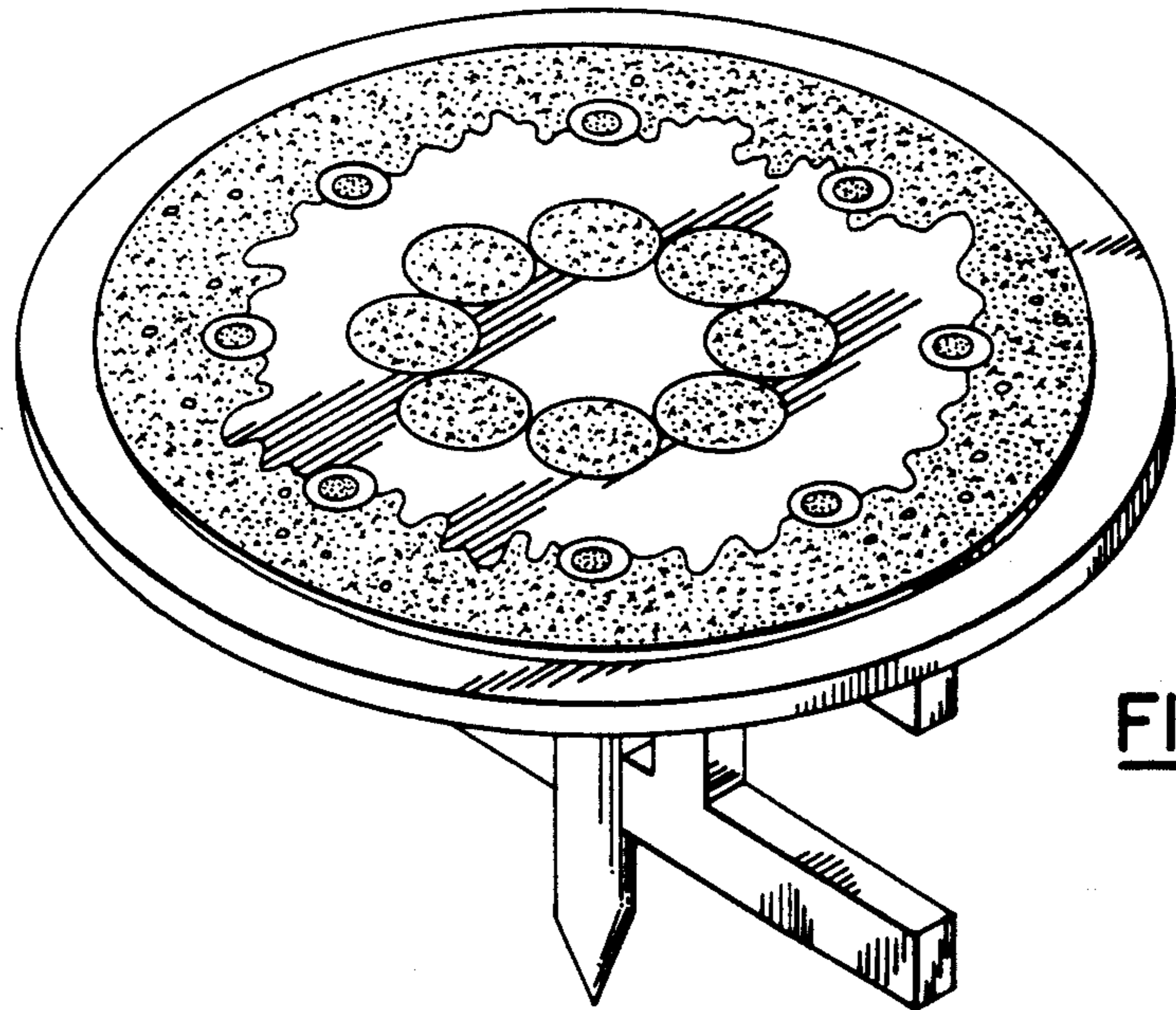


FIG. 1

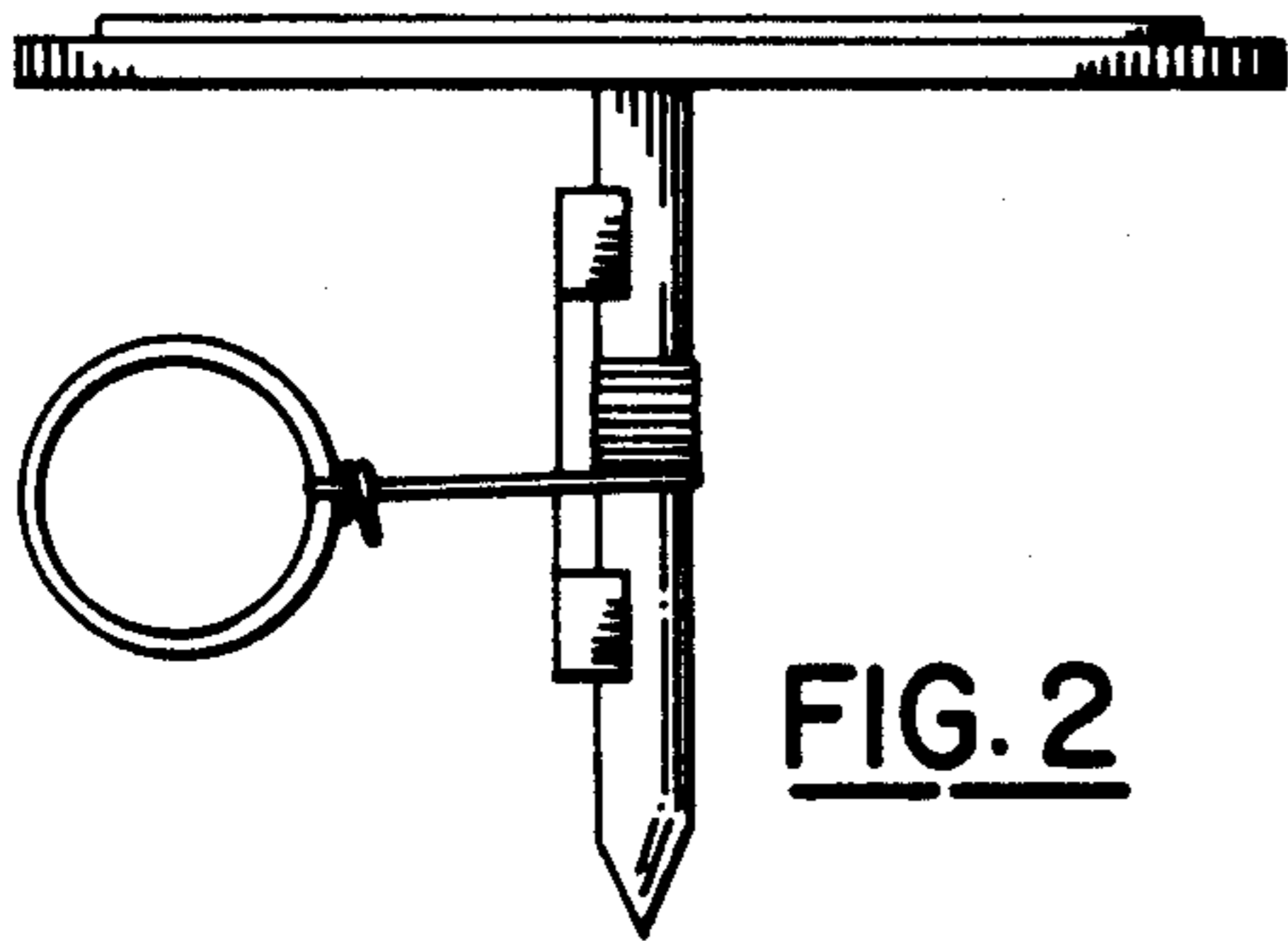


FIG. 2

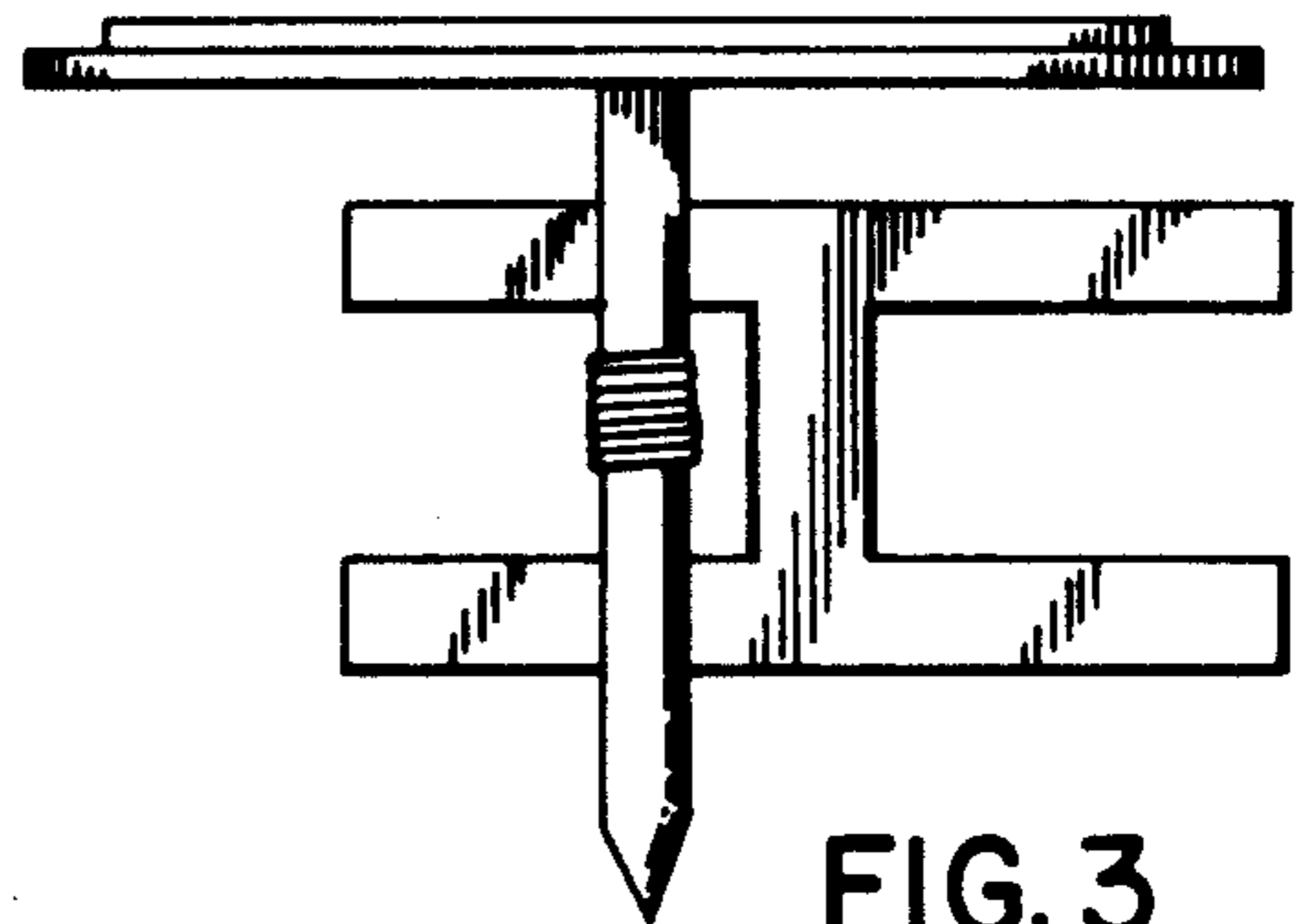


FIG. 3

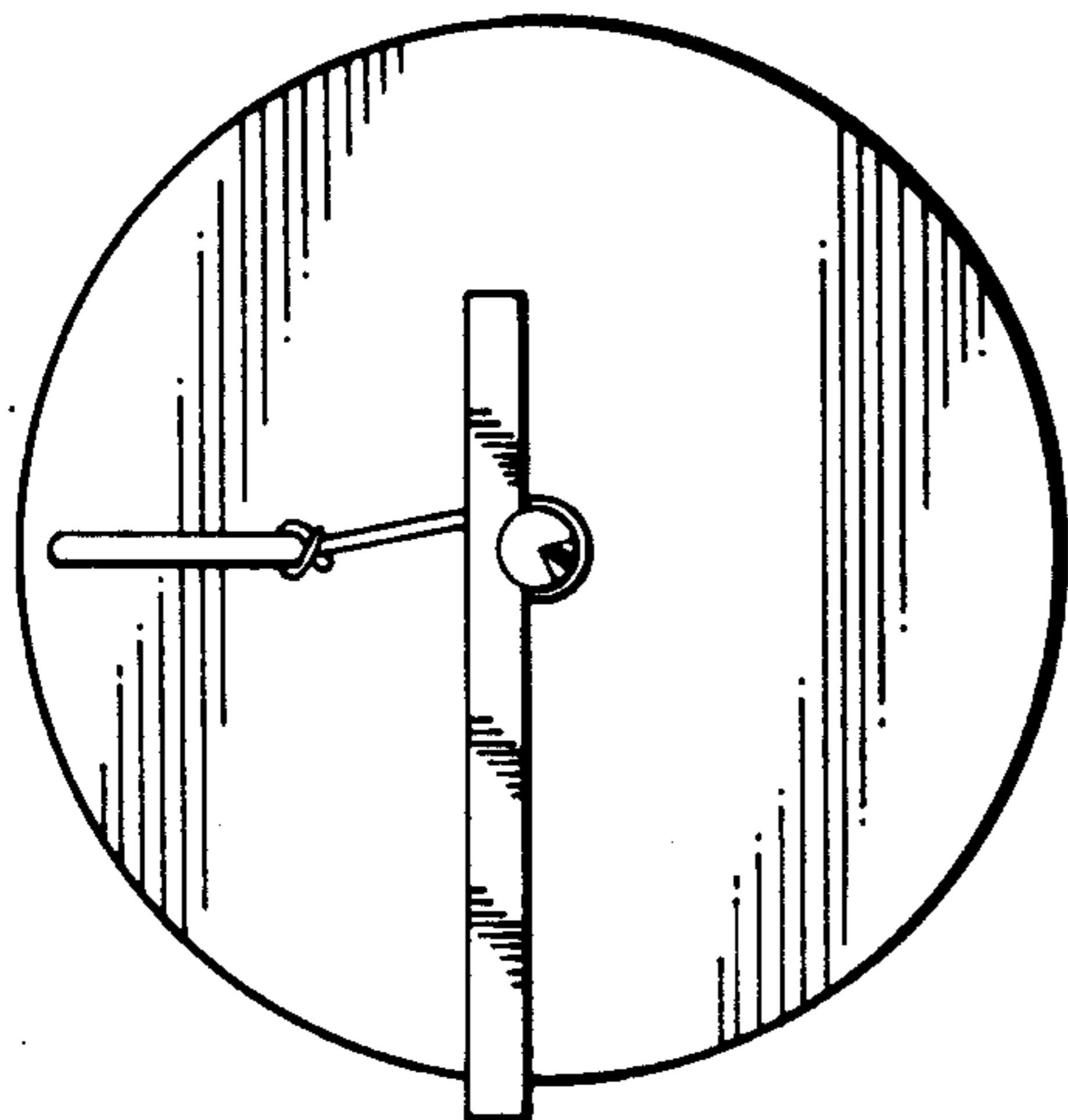


FIG. 4

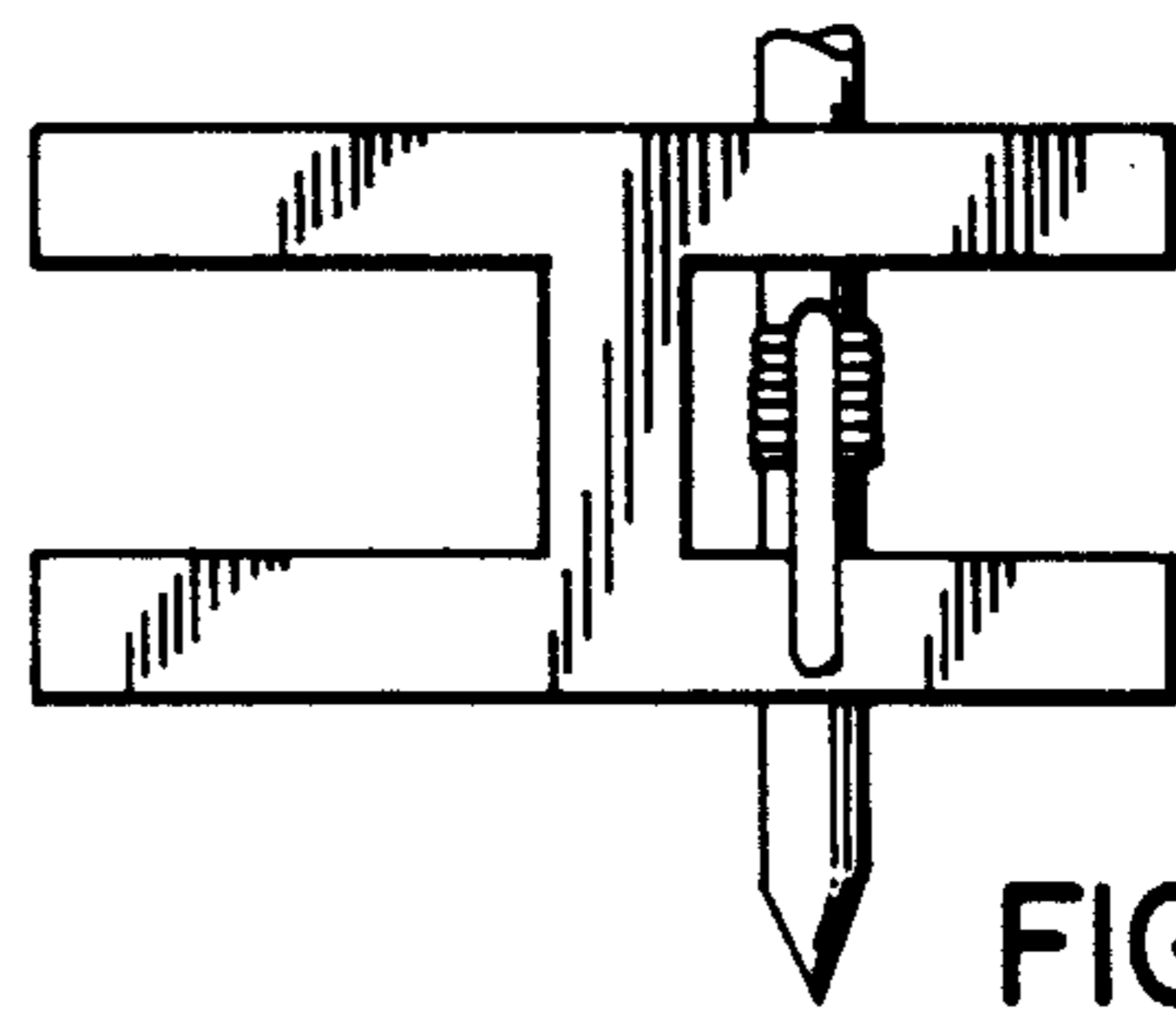


FIG. 5