

[54] ACTION TOY

[75] Inventor: Ralph W. Crawford, East Aurora, N.Y.

[73] Assignee: The Quaker Oats Company, Chicago, Ill.

[**] Term: 14 Years

[21] Appl. No.: 859,119

[22] Filed: Dec. 9, 1977

[51] Int. Cl. D21-01

[52] U.S. Cl. D21/59

[58] Field of Search D21/59, 62, 64, 103, D21/150, 149; 46/1 R, 47, 114, 145, 204

[56] References Cited

U.S. PATENT DOCUMENTS

D. 182,763 5/1958 Gaston D21/149

D. 206,487 12/1966 Ryan D21/64
D. 218,339 8/1970 Crawford D21/150
2,879,625 3/1959 Bolger 46/114

Primary Examiner—Charles A. Rademaker
Attorney, Agent, or Firm—Cumpston & Shaw

[57] CLAIM

The ornamental design for an action toy, substantially as shown and described.

DESCRIPTION

FIG. 1 is a perspective view of an action toy showing my new design;

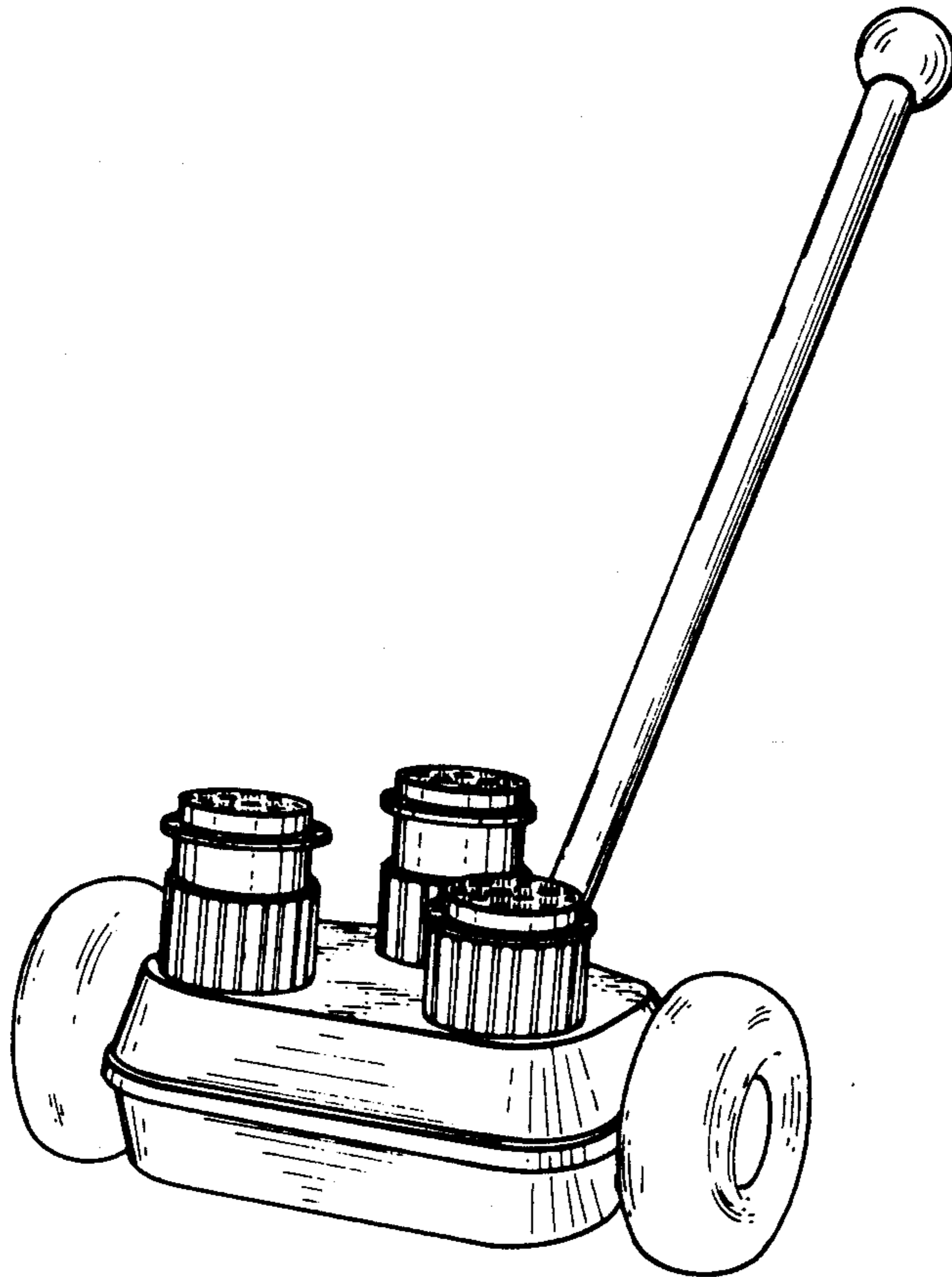
FIG. 2 is a right-side elevational view thereof, the left side being substantially a mirror image;

FIG. 3 is a top plan view thereof;

FIG. 4 is a bottom plan view thereof; and

FIG. 5 is a rear elevational view thereof.

Portions of the rod member has been shown in fragment in FIGS. 2 and 5 for ease of illustration.



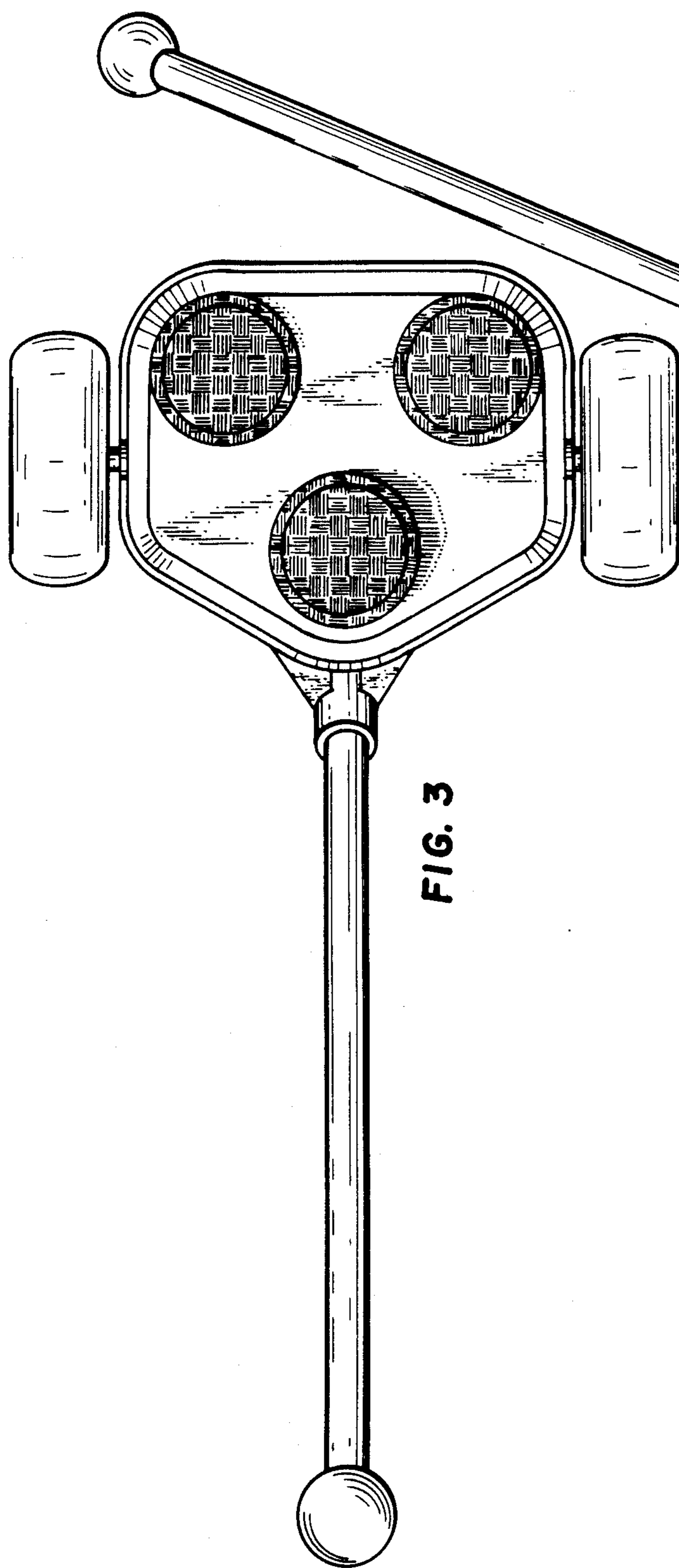


FIG. 3

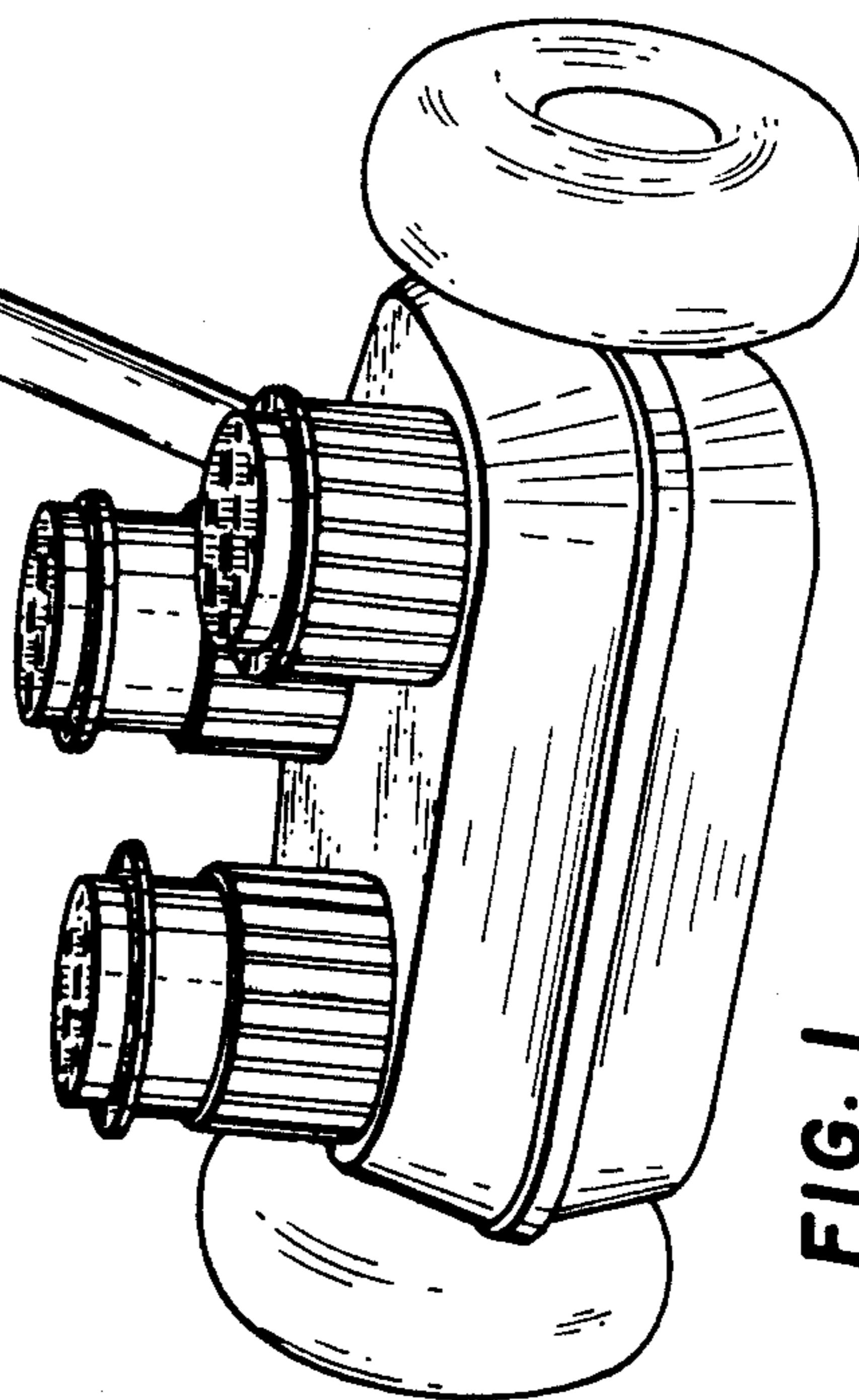


FIG. 1

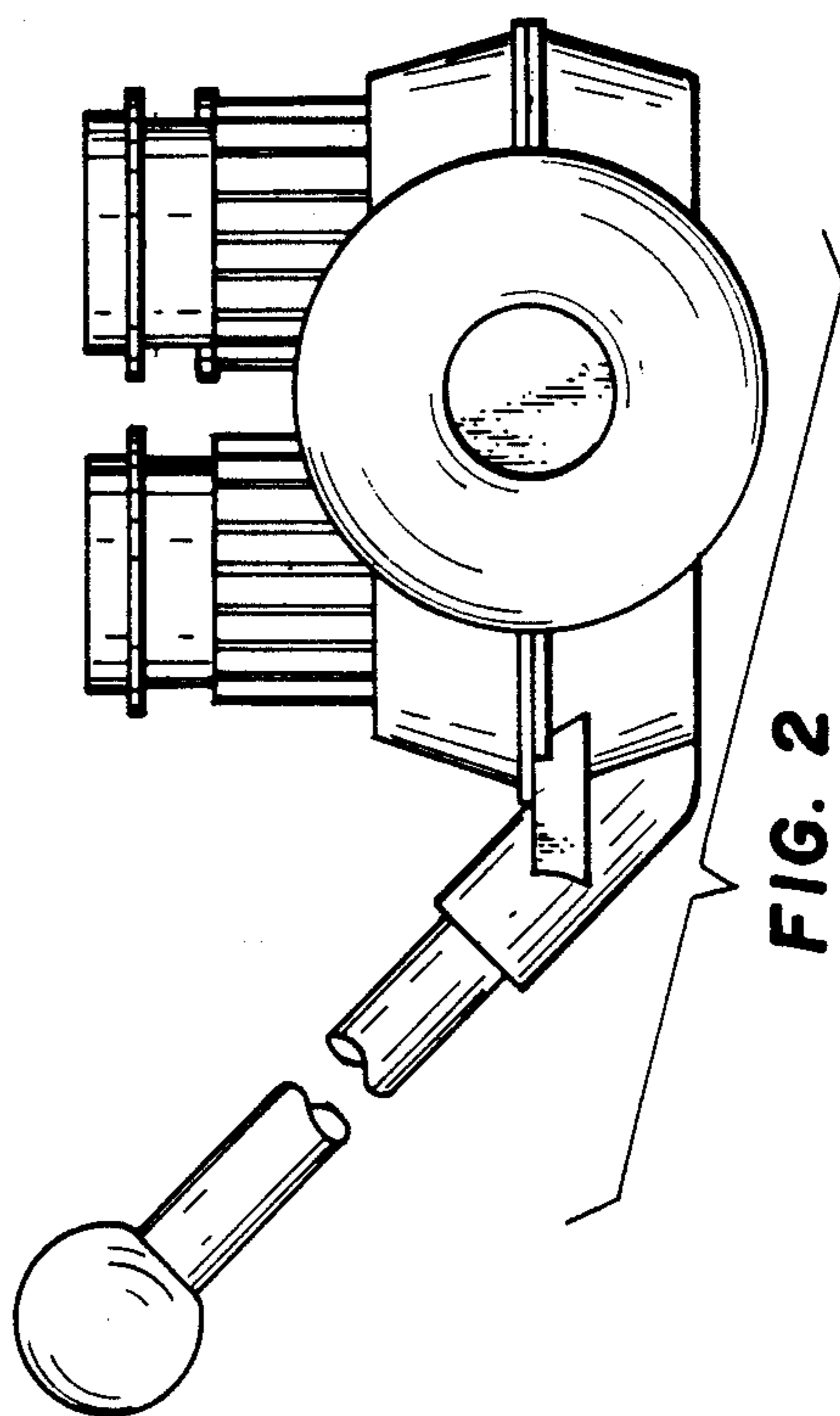


FIG. 2

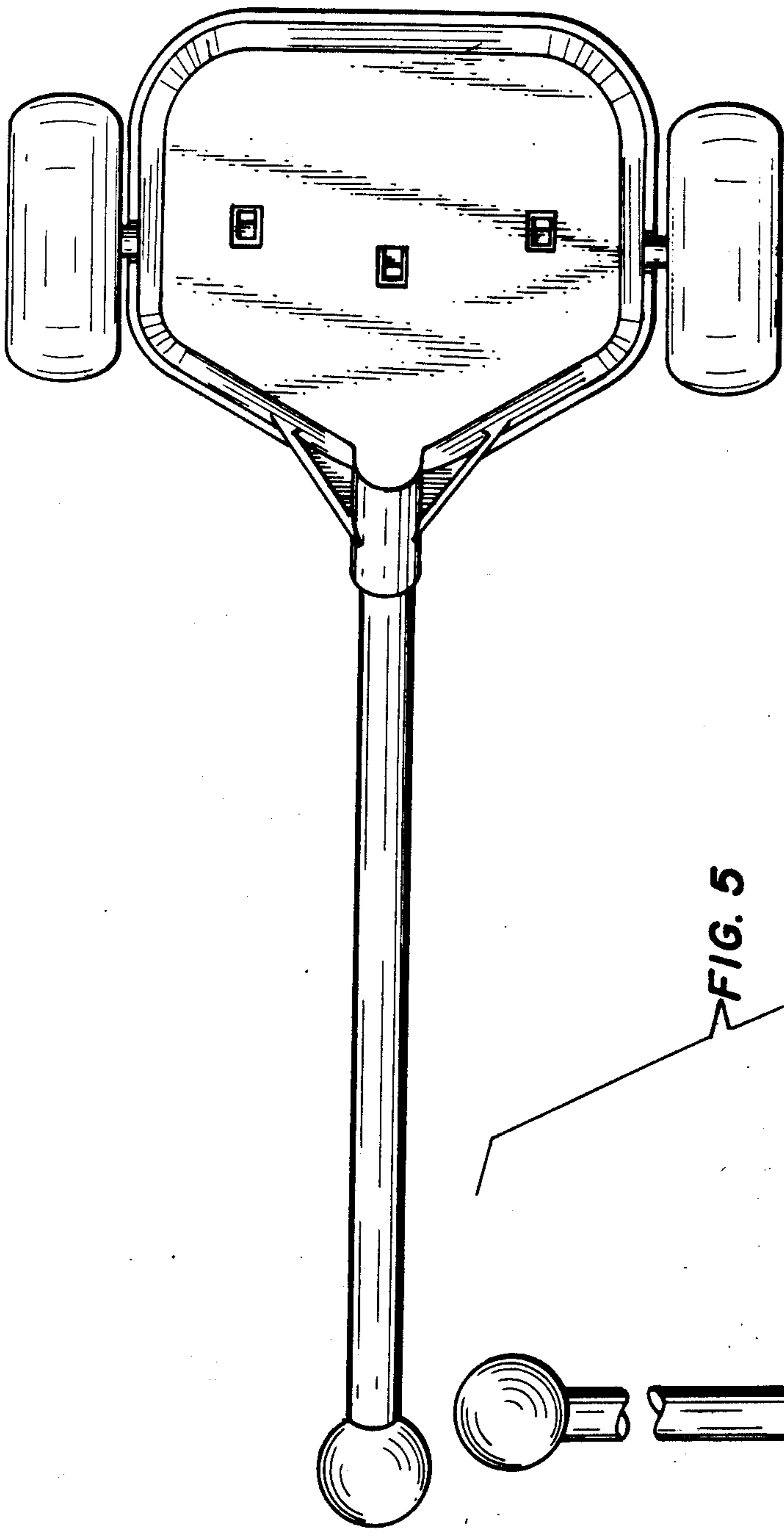


FIG. 4

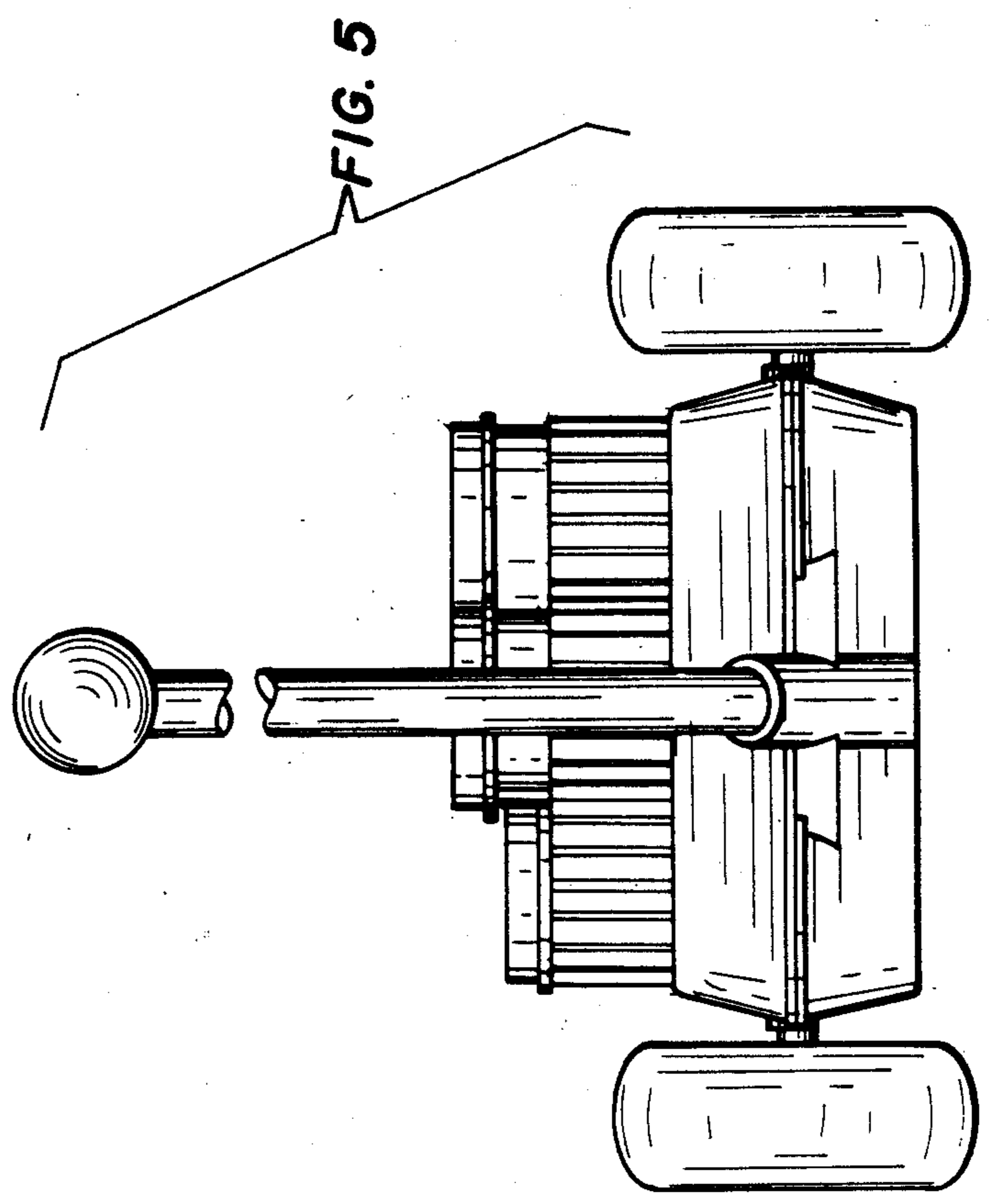


FIG. 5