

[54] RECEIVER HARDWARE FOR PERCUSSIVE MUSICAL INSTRUMENTS

3,626,458 12/1971 Zickos 84/411

[75] Inventors: Forrest W. Clark, Fountain Valley; David G. Donohoe, Lakewood, both of Calif.

FOREIGN PATENT DOCUMENTS

2604971 8/1976 Fed. Rep. of Germany 84/421

[73] Assignee: CBS Inc., New York, N.Y.

OTHER PUBLICATIONS

Cotex Corp., Newark, N.J., Advertisement for "Cotana", Crocodile showing.

[**] Term: 14 Years

Primary Examiner—Joel Stearman

[21] Appl. No.: 879,792

Assistant Examiner—Jane E. Corrigan

[22] Filed: Feb. 21, 1978

Attorney, Agent, or Firm—Richard L. Gausewitz

Related U.S. Application Data

[57] CLAIM

[60] Division of Ser. No. 672,522, Mar. 31, 1976, which is a continuation-in-part of Ser. No. 553,605, Feb. 27, 1975, abandoned.

The ornamental design for receiver hardware for percussive musical instruments, substantially as shown and described.

[51] Int. Cl. D17-04
[52] U.S. Cl. D17/22
[58] Field of Search D56/1 R, 1 E; 248/177, 248/186, 288 R; 84/411, 421, 422 R; 403/109, 362; D87/36; D17/22, 99

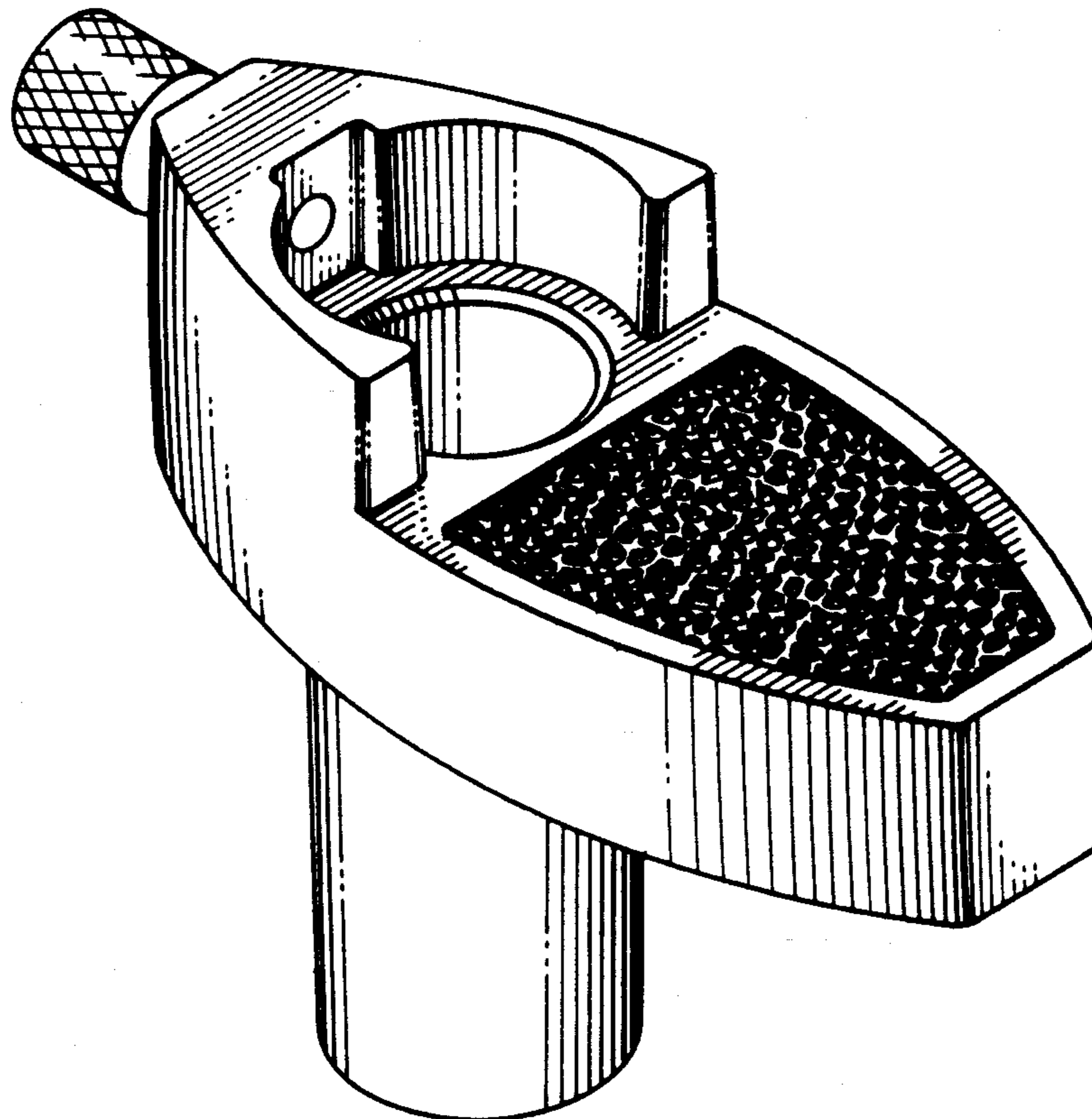
DESCRIPTION

FIG. 1 is a front, top and left side perspective view of receiver hardware for percussive musical instruments showing our new design; FIG. 2 is a top plan view; FIG. 3 is a bottom plan view; FIG. 4 is a left side elevational view, the right side being a mirror image thereof; FIG. 5 is a front elevational view; and FIG. 6 is a rear elevational view.

[56] References Cited

U.S. PATENT DOCUMENTS

1,254,327 1/1918 Johnson 403/362 X



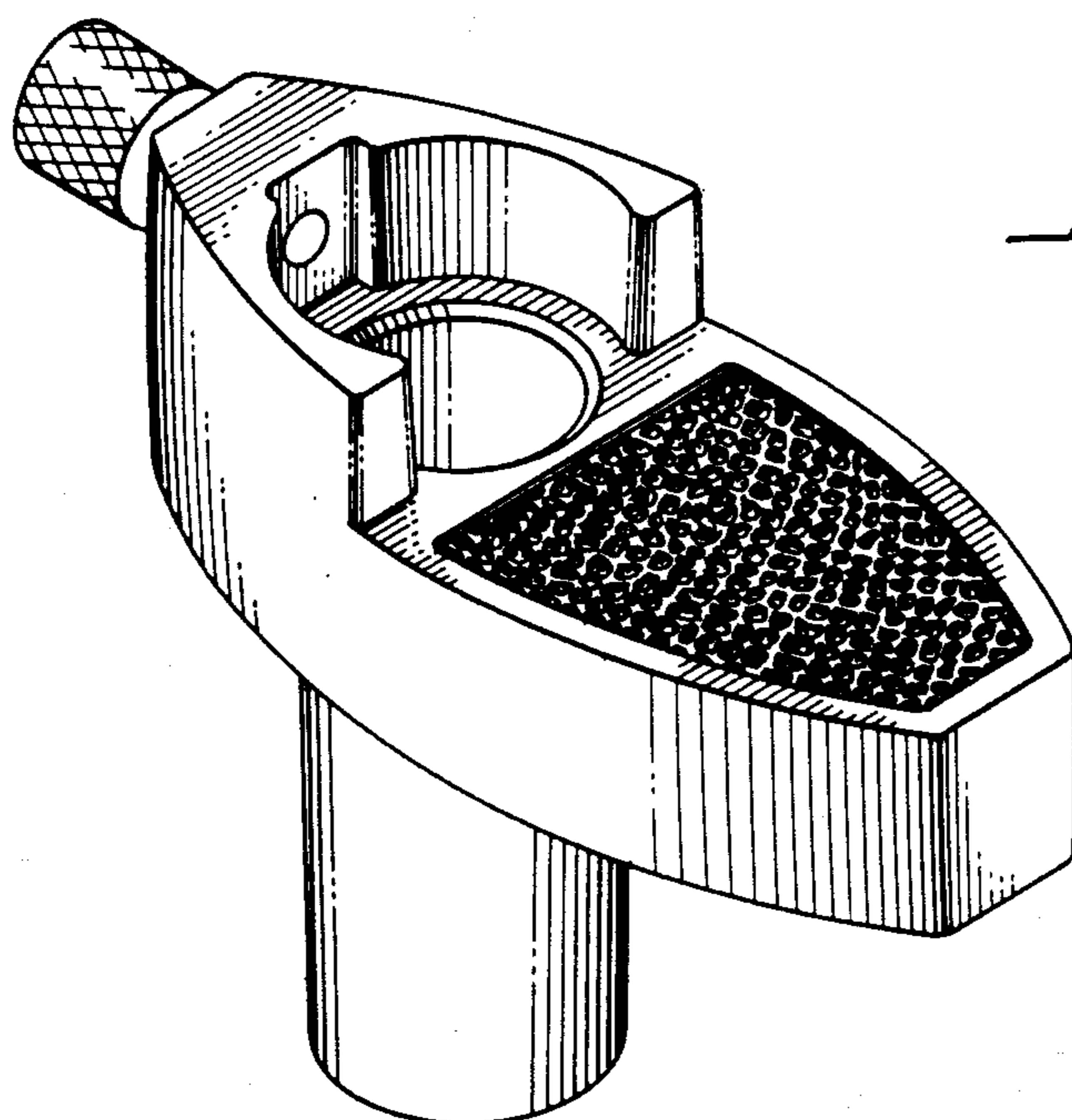


FIG. 1.

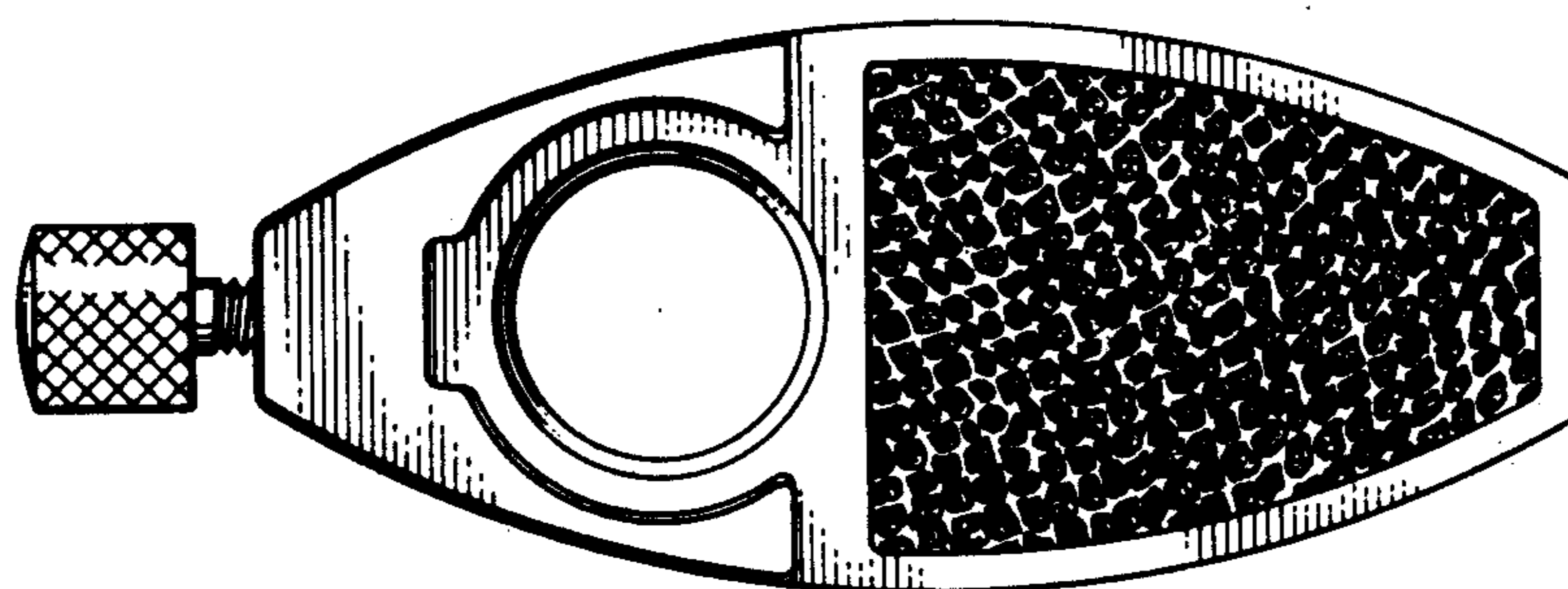


FIG. 2.

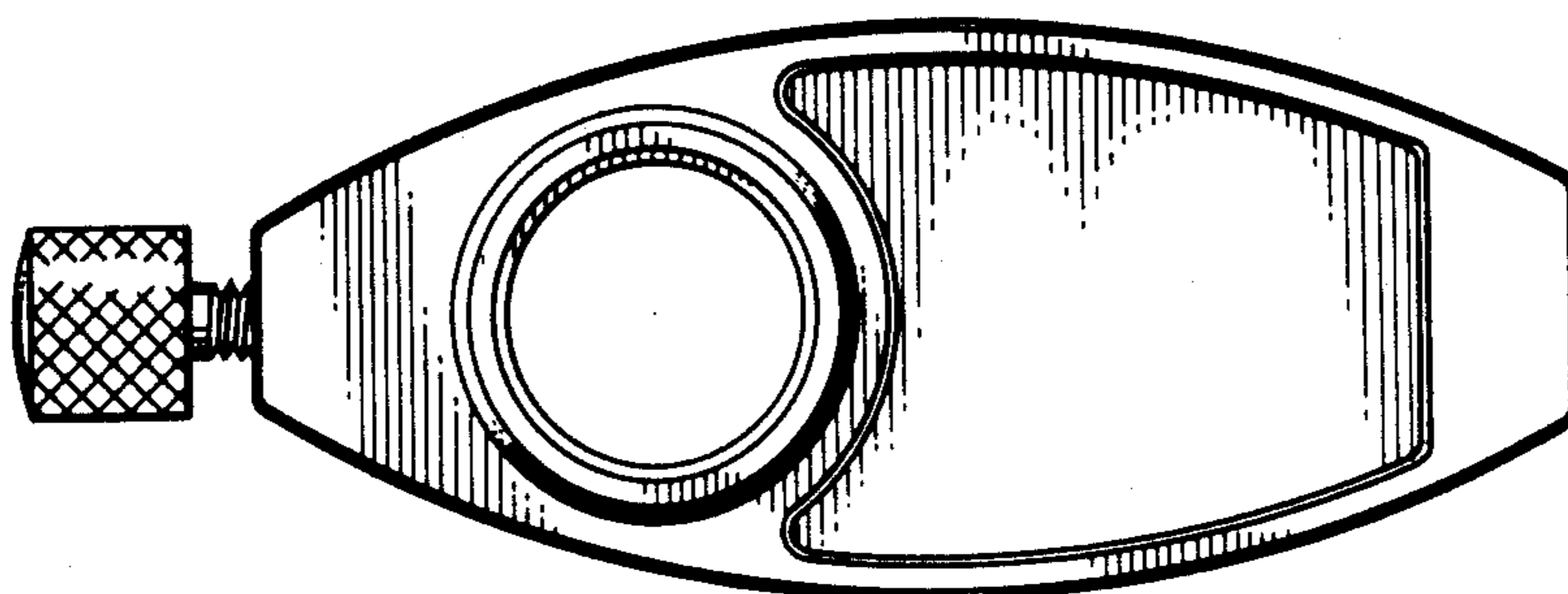


FIG. 3.

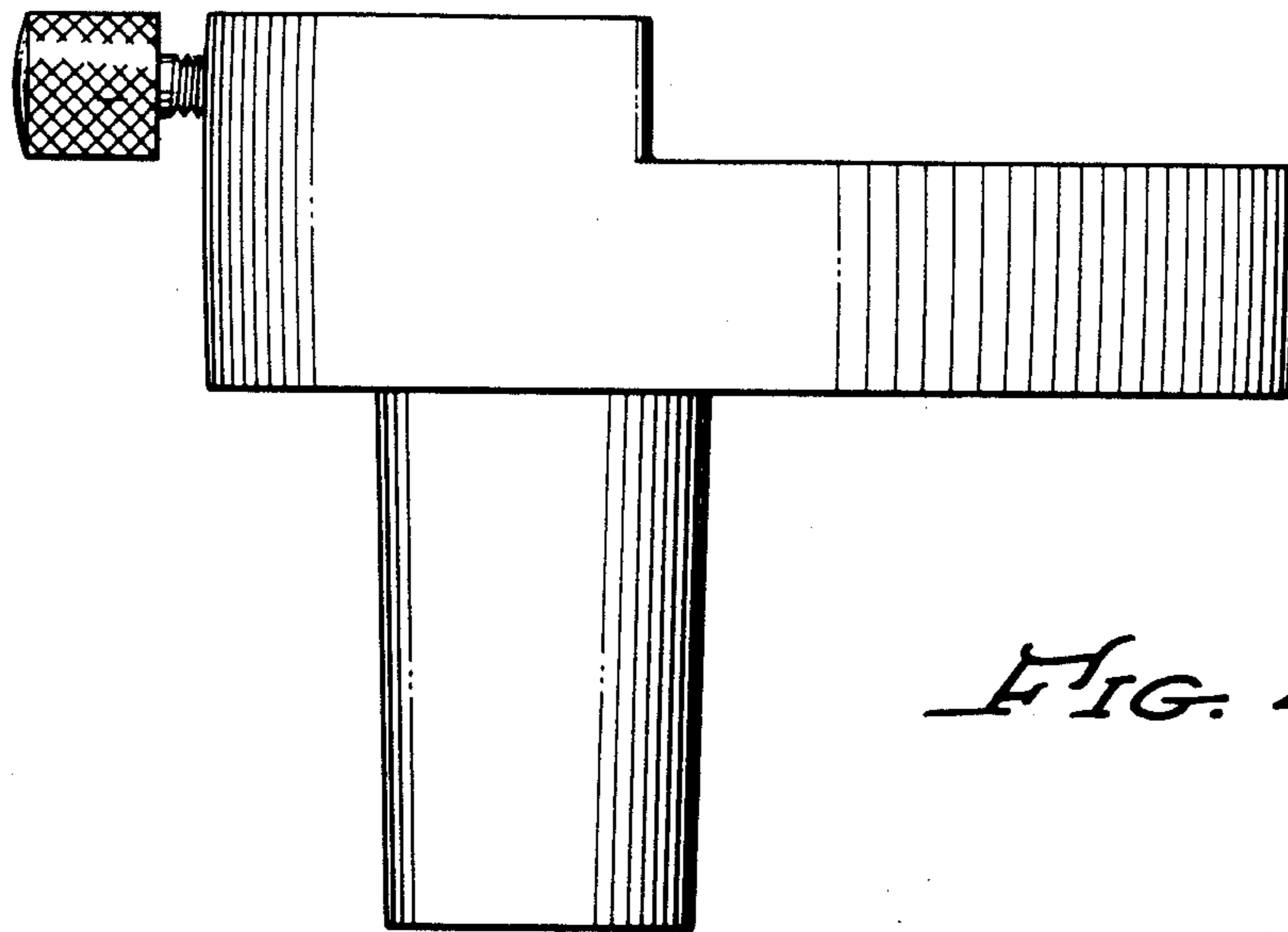


FIG. 4.

FIG. 5.

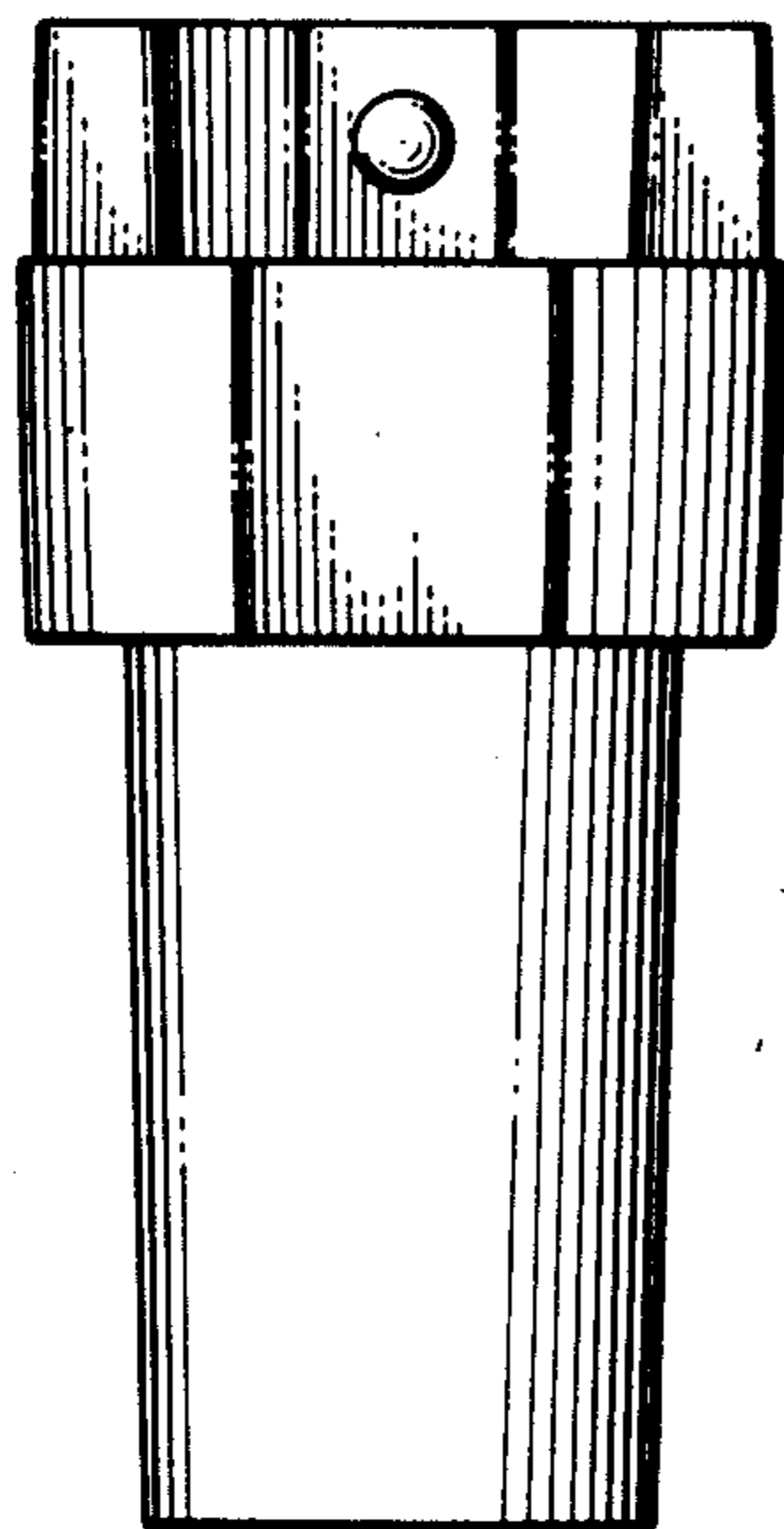


FIG. 6.

