

[54] WRIST-MOUNTED FLUTIST'S LYRE

[76] Inventor: James T. Corder, 2403 Gladstone Dr., Huntsville, Ala. 35811

[**] Term: 14 Years

[21] Appl. No.: 832,084

[22] Filed: Sep. 9, 1977

[51] Int. Cl. D17-02

[52] U.S. Cl. D17/13; D17/10; D17/99

[58] Field of Search D56/1 R, 1 C; 248/444; D34/5 K, 15 ZZ; D24/49; 2/247; D17/10, 13, 99

[56] References Cited

U.S. PATENT DOCUMENTS

967,218	8/1910	Moody	D56/1 R
1,539,042	5/1925	Dennis	D56/1 R
2,828,576	4/1958	Fismen	248/444

OTHER PUBLICATIONS

Woodcraft Equipment Co., Independence, Mo.,

"York" Archery, Tackle & Field Hockey Equipment Cat., ©141, p. 10, item #AG-10. Targ & Dinner, Chicago, Ill., '70 Cat., p. 181, items #'s 4763 & 4764.

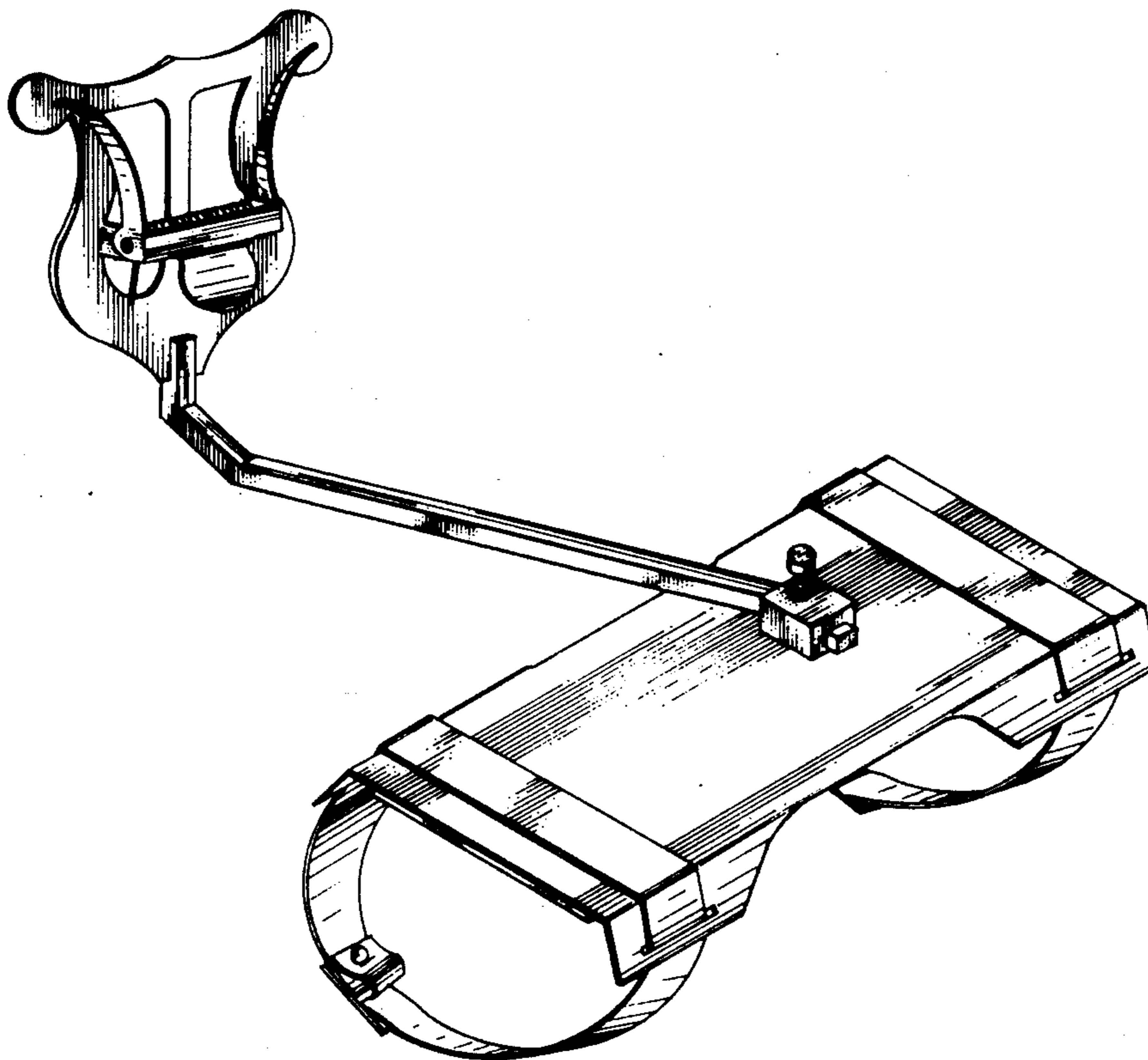
Primary Examiner—Joel Stearman
Assistant Examiner—Jane E. Corrigan
Attorney, Agent, or Firm—C. A. Phillips

[57] CLAIM

The ornamental design for a wrist-mounted flutist's lyre, substantially as shown and described.

DESCRIPTION

FIG. 1 is a perspective view of a wrist-mounted flutist's lyre showing my new design; FIG. 2 is a bottom plan view of only the wrist-encircling portion of the claimed article; FIG. 3 is a sectional view taken along line 3—3 of FIG. 2; FIG. 4 is an elevational view of only the face of the lyre portion of the article opposite that shown in FIG. 1; and FIG. 5 is a side elevational view of only the portion of the article shown in FIG. 4, the opposite side being a mirror image thereof.



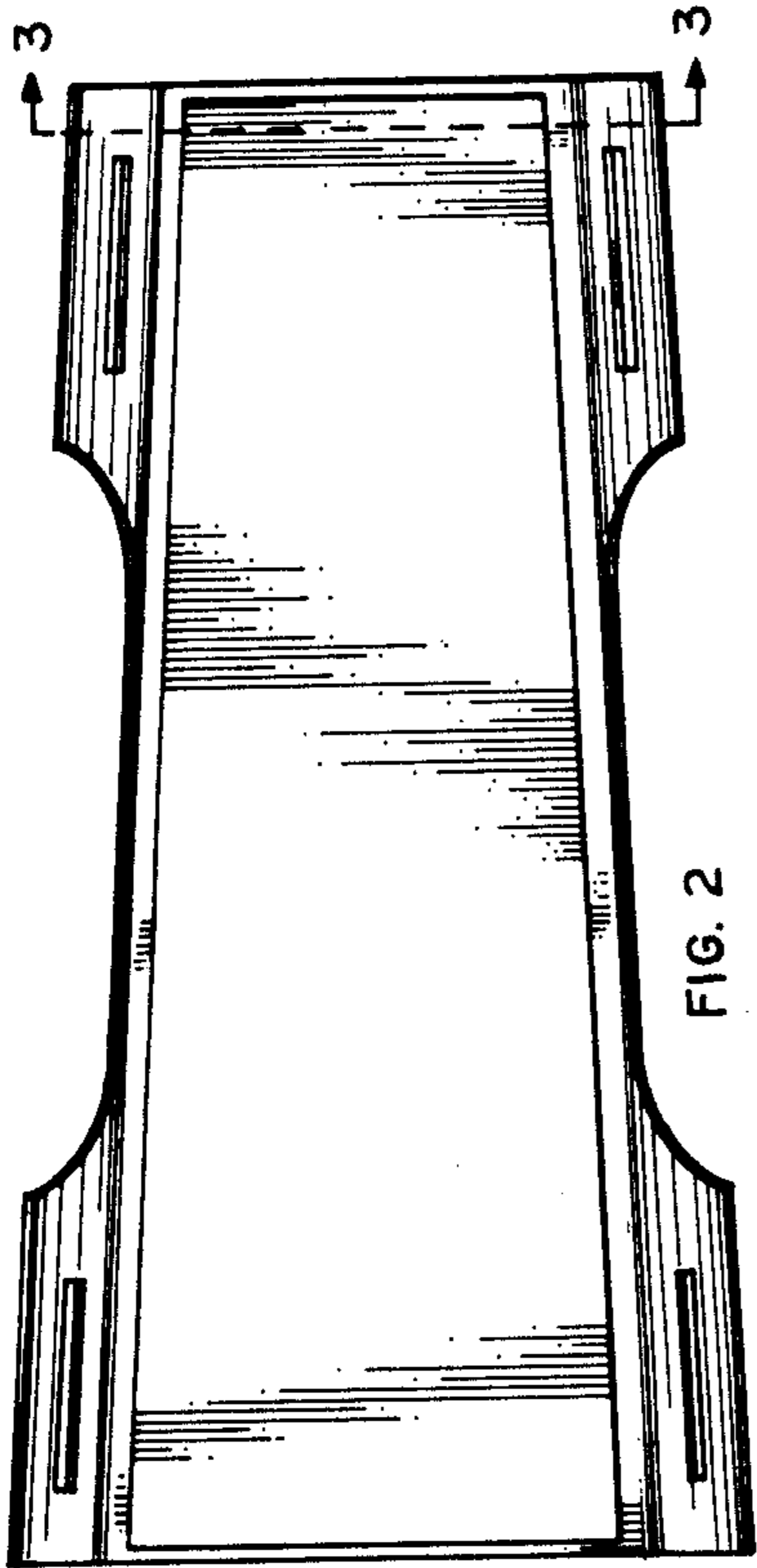


FIG. 2



FIG. 3

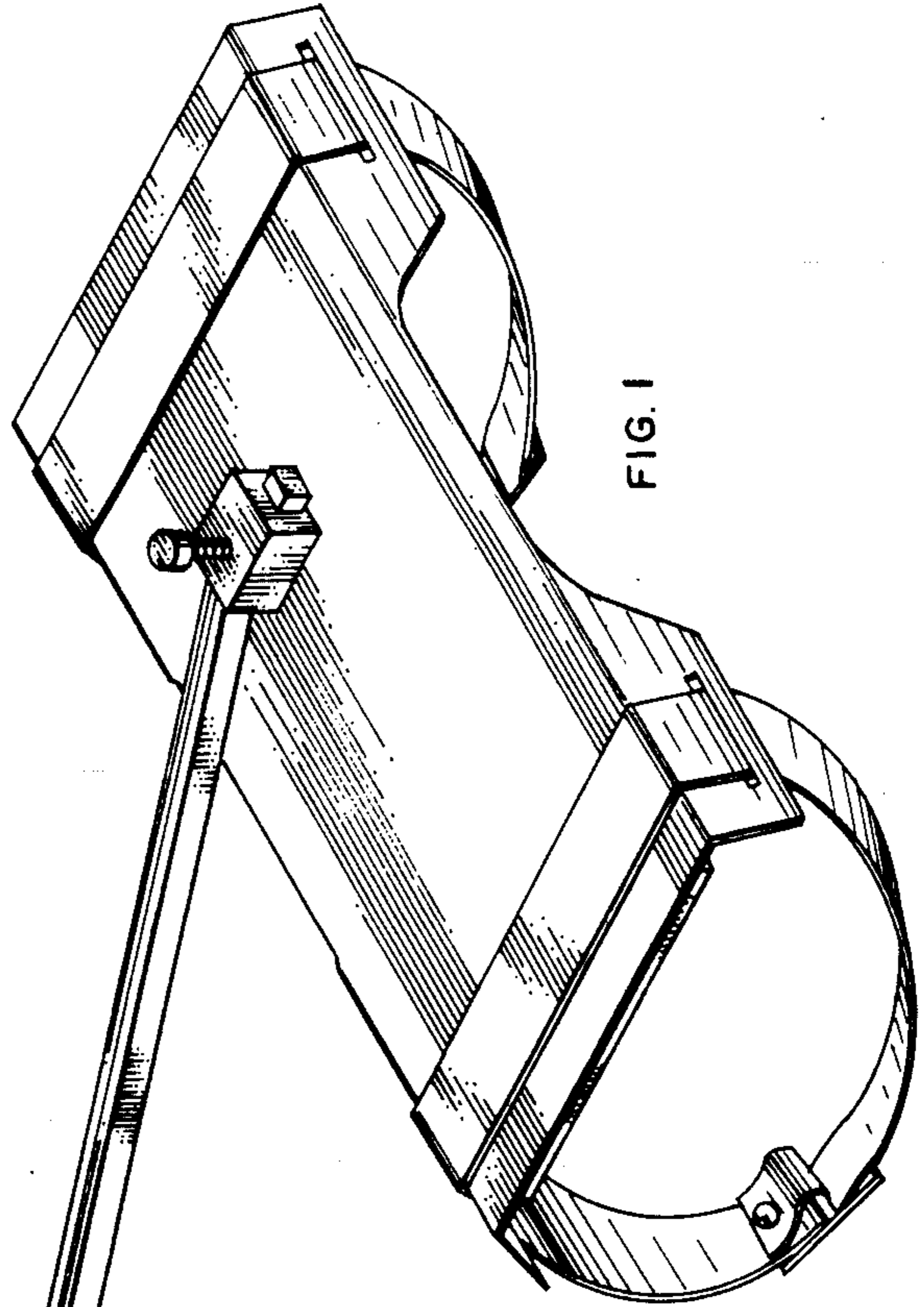


FIG. 1

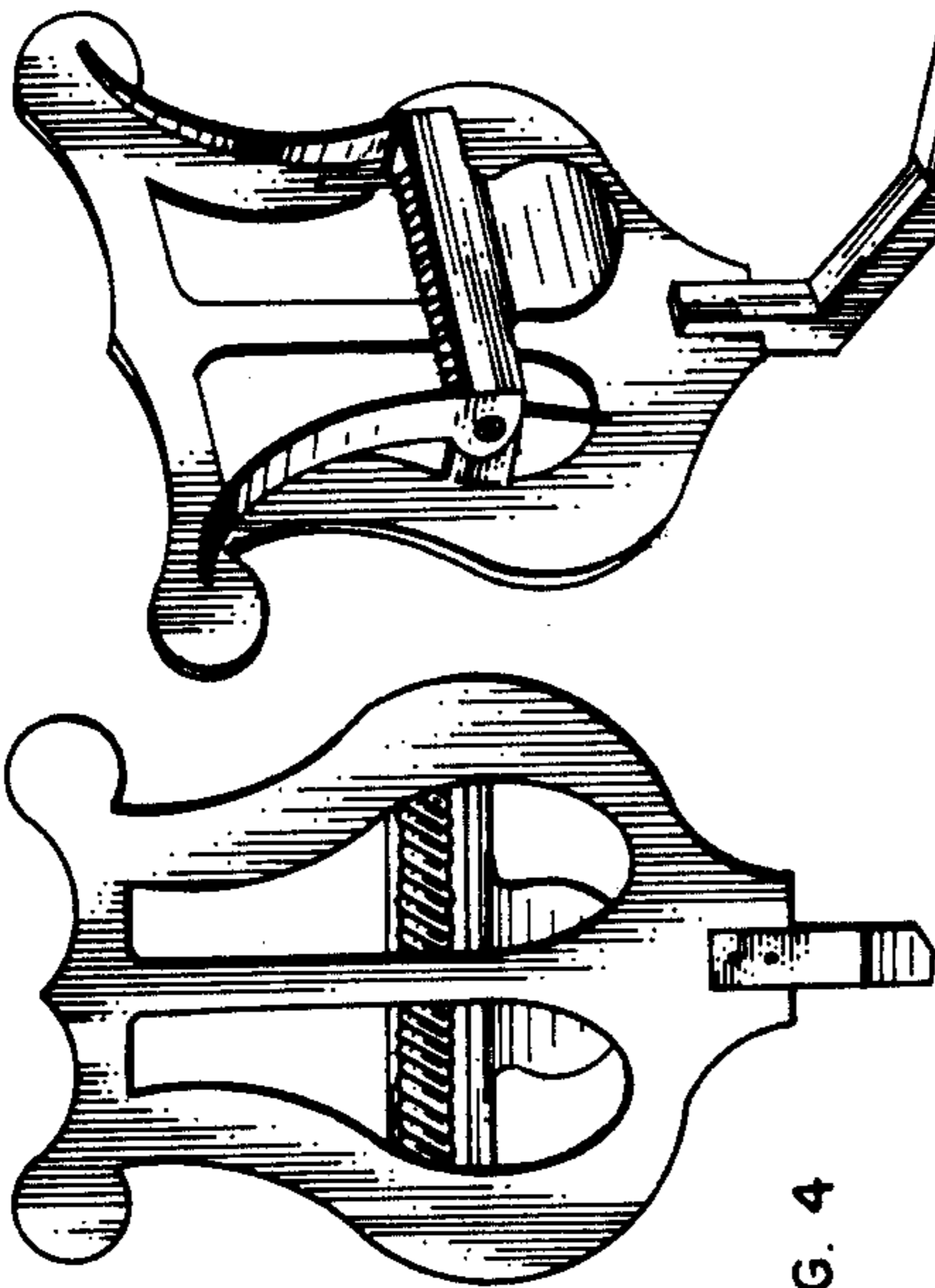


FIG. 4

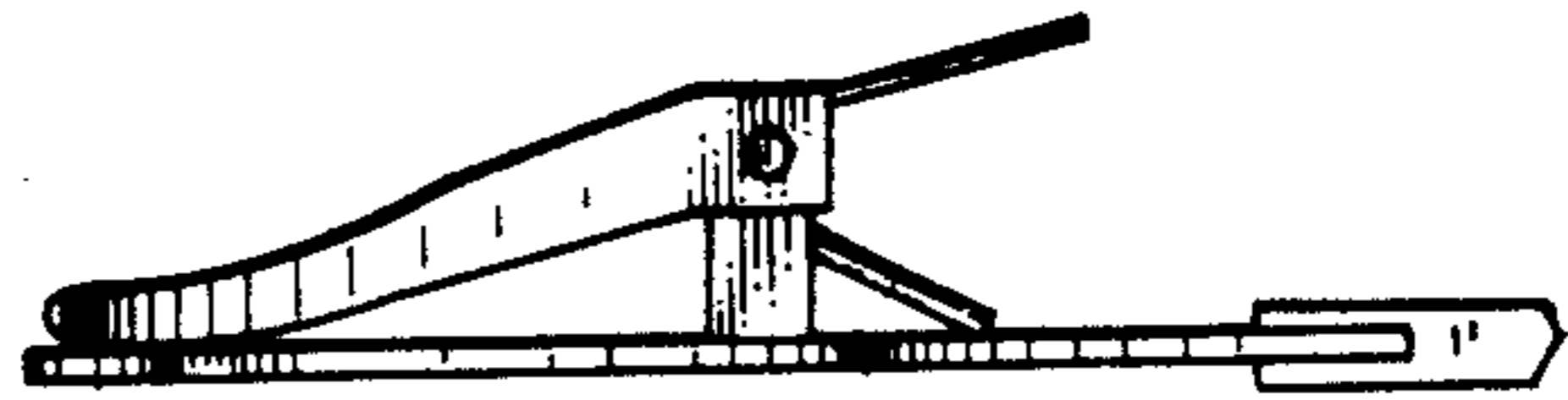


FIG. 5