

[54] PHOTOGRAPHIC STROBE-LIGHT OR SIMILAR ARTICLE

[75] Inventors: James M. Conner, Harrison, N.Y.; David E. Van Allen, Malden, Mass.

[73] Assignee: Polaroid Corporation, Cambridge, Mass.

[**] Term: 14 Years

[21] Appl. No.: 884,713

[22] Filed: Mar. 8, 1978

[51] Int. Cl. D16-05

[52] U.S. Cl. D16/42

[58] Field of Search D16/6, 10, 38, 42; 362/3-18; 354/126, 145

[56] References Cited

U.S. PATENT DOCUMENTS

D. 248,859	8/1979	Asaki	D16/42
3,852,790	12/1974	Robinson	362/7 X
4,019,190	4/1977	Ohmura	362/3 X

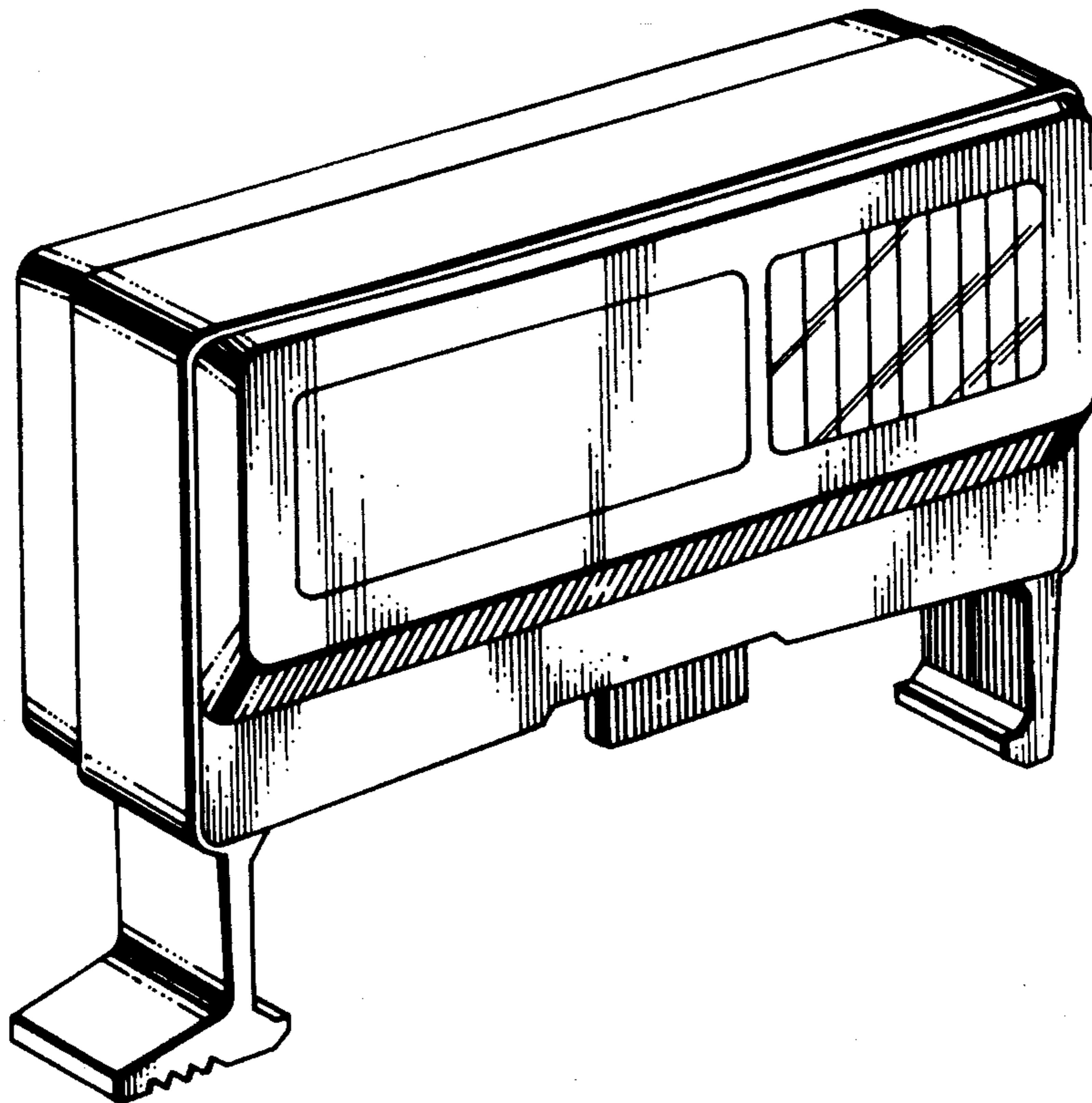
Primary Examiner—Catherine E. Kemper
Attorney, Agent, or Firm—Francis J. Caufield

[57] CLAIM

The ornamental design for a photographic strobe-light or similar article, as shown.

DESCRIPTION

FIG. 1 is a right front perspective view of a photographic strobe-light or similar article, showing our new design;
FIG. 2 is a right side elevational view thereof;
FIG. 3 is a left side elevational view thereof;
FIG. 4 is a rear elevational view thereof;
FIG. 5 is a top plan view thereof;
FIG. 6 is a front elevational view thereof;
FIG. 7 is a bottom plan view thereof.



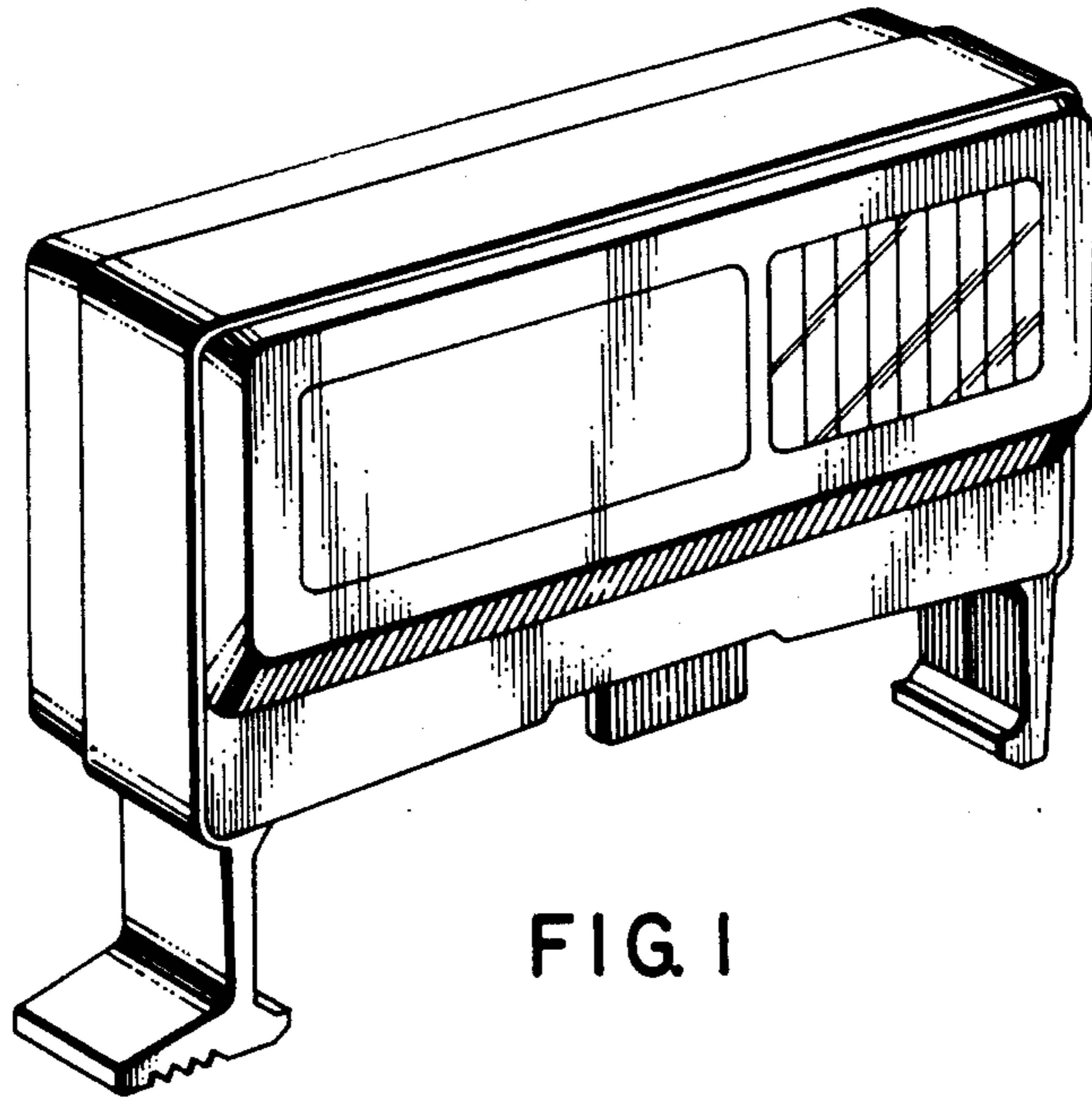


FIG. 1

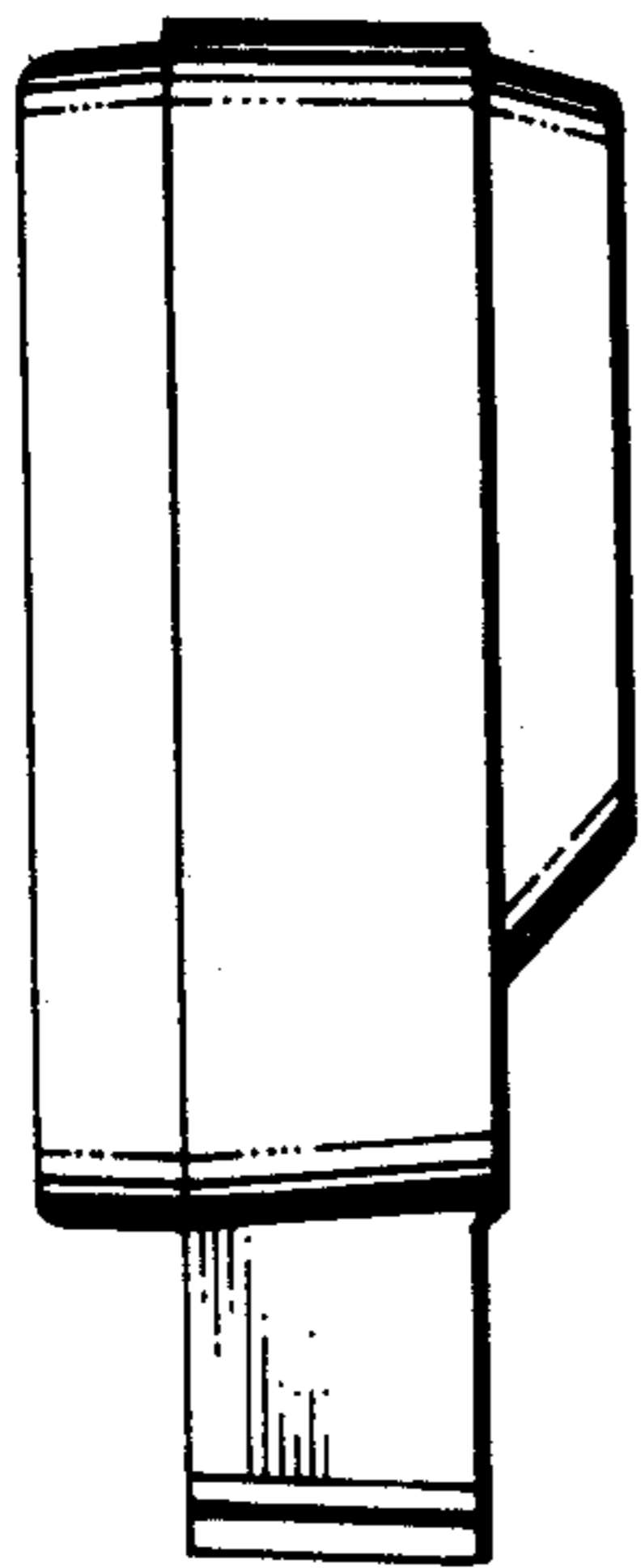


FIG. 2

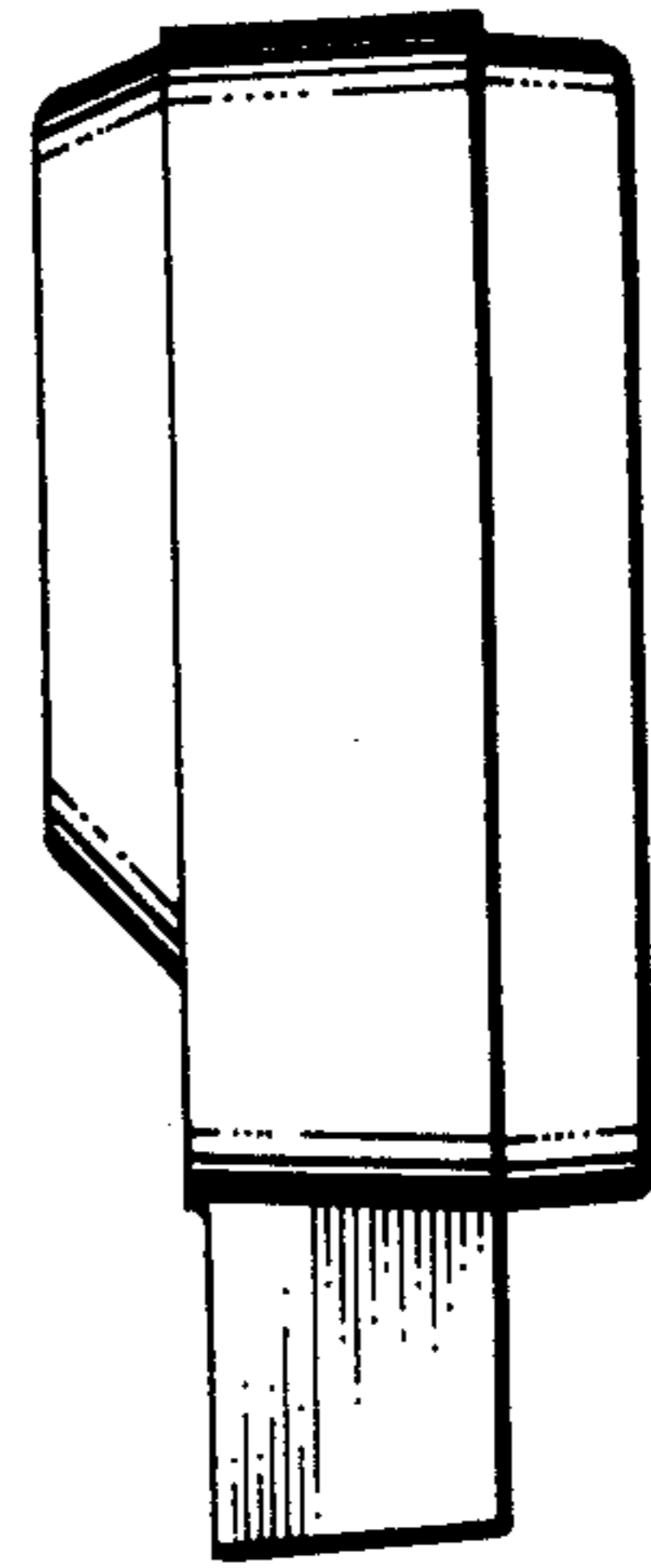


FIG. 3

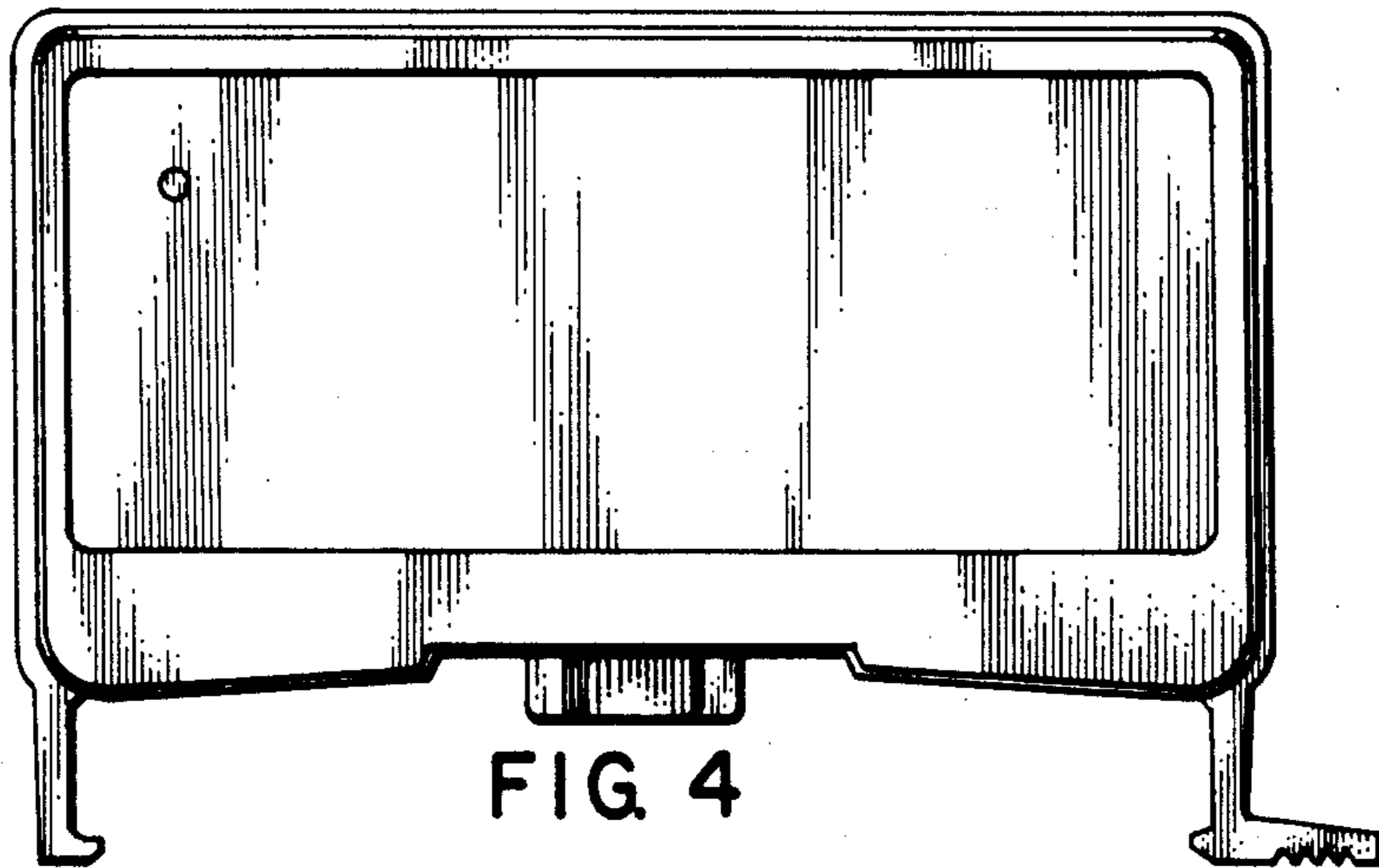


FIG 4

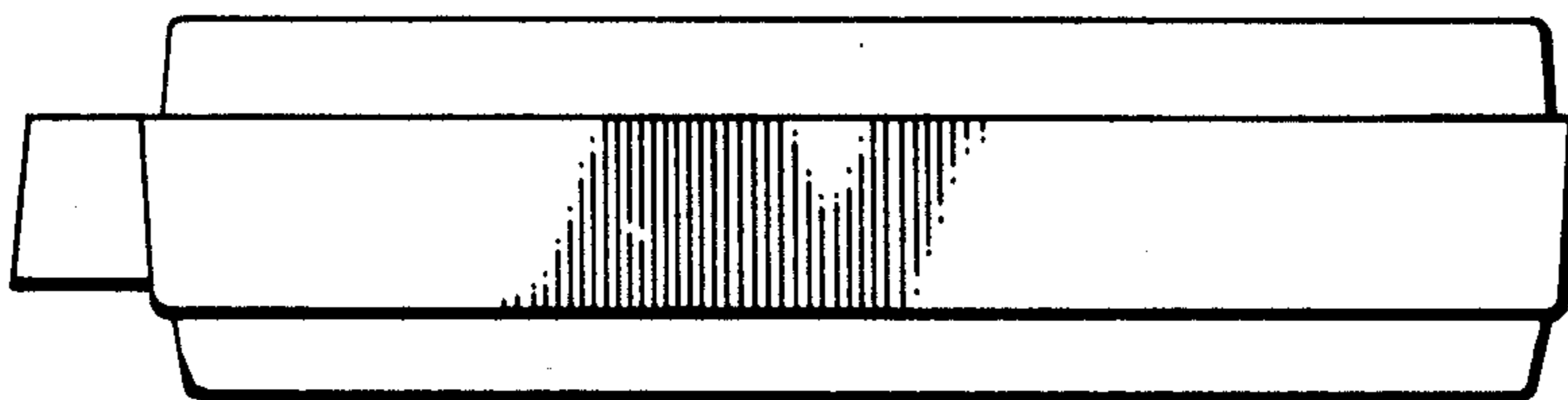


FIG 5

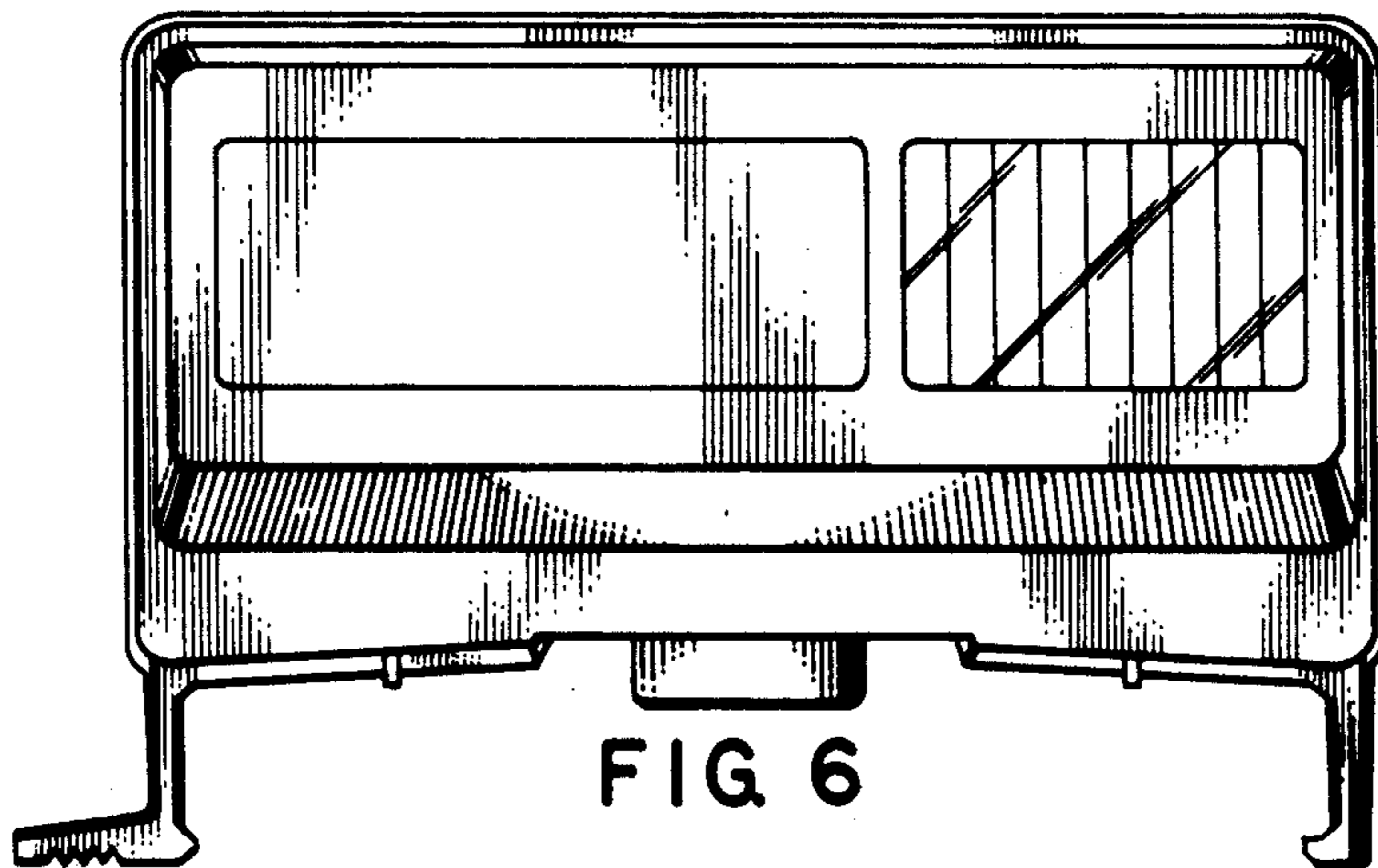


FIG 6

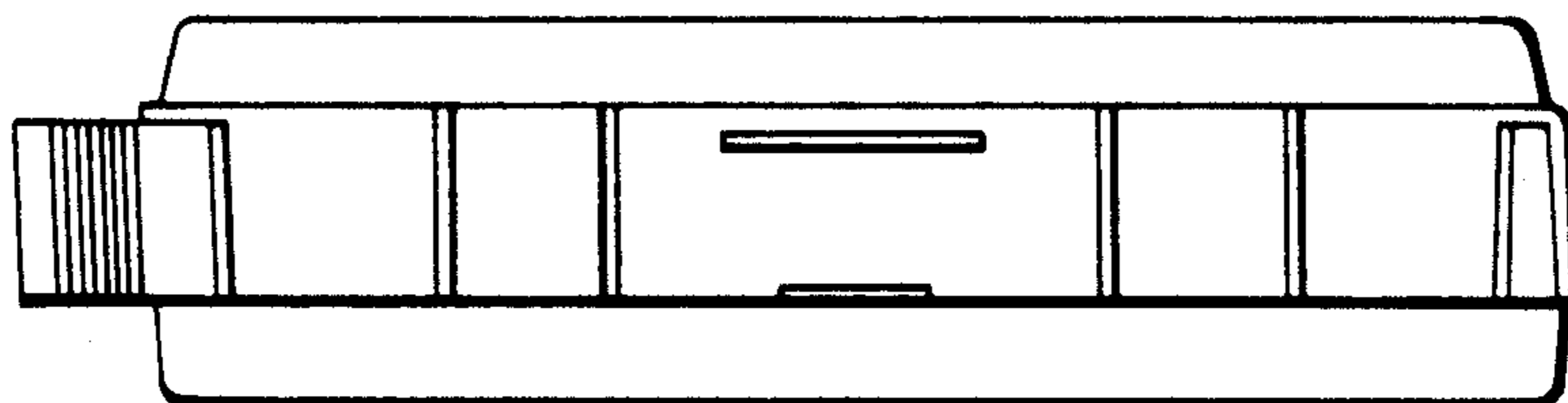


FIG 7