

[54] ELECTROPHOTOGRAPHIC APPARATUS OR THE LIKE

[75] Inventors: Ernest M. Bevilacqua, Wilton; Allen D. Hawthorne; Eliot F. Noyes, both of New Canaan, all of Conn.

[73] Assignee: International Business Machines Corporation, Armonk, N.Y.

[**] Term: 14 Years

[21] Appl. No.: 919,523

[22] Filed: Jun. 26, 1978

Related U.S. Application Data

[63] Continuation of Ser. No. 663,658, Mar. 4, 1976, abandoned.

[51] Int. Cl. D16-03

[52] U.S. Cl. D16/30

[58] Field of Search D16/27, 28, 29, 30, D16/31, 32; 355/3 R

[56] References Cited

U.S. PATENT DOCUMENTS

D. 246,046 10/1977 Hawthorne D16/30

Primary Examiner—Wallace R. Burke
Assistant Examiner—Catherine Kemper
Attorney, Agent, or Firm—Joscelyn G. Cockburn

[57] CLAIM

The ornamental design for electrophotographic apparatus or the like, substantially as shown and described.

DESCRIPTION

FIG. 1 is a top, right side and front perspective view of an electrophotographic apparatus or the like showing our new design.

FIG. 2 is a top, left side and rear perspective view thereof.

The bottom view of the electrophotographic apparatus is planar and substantially unornamented.

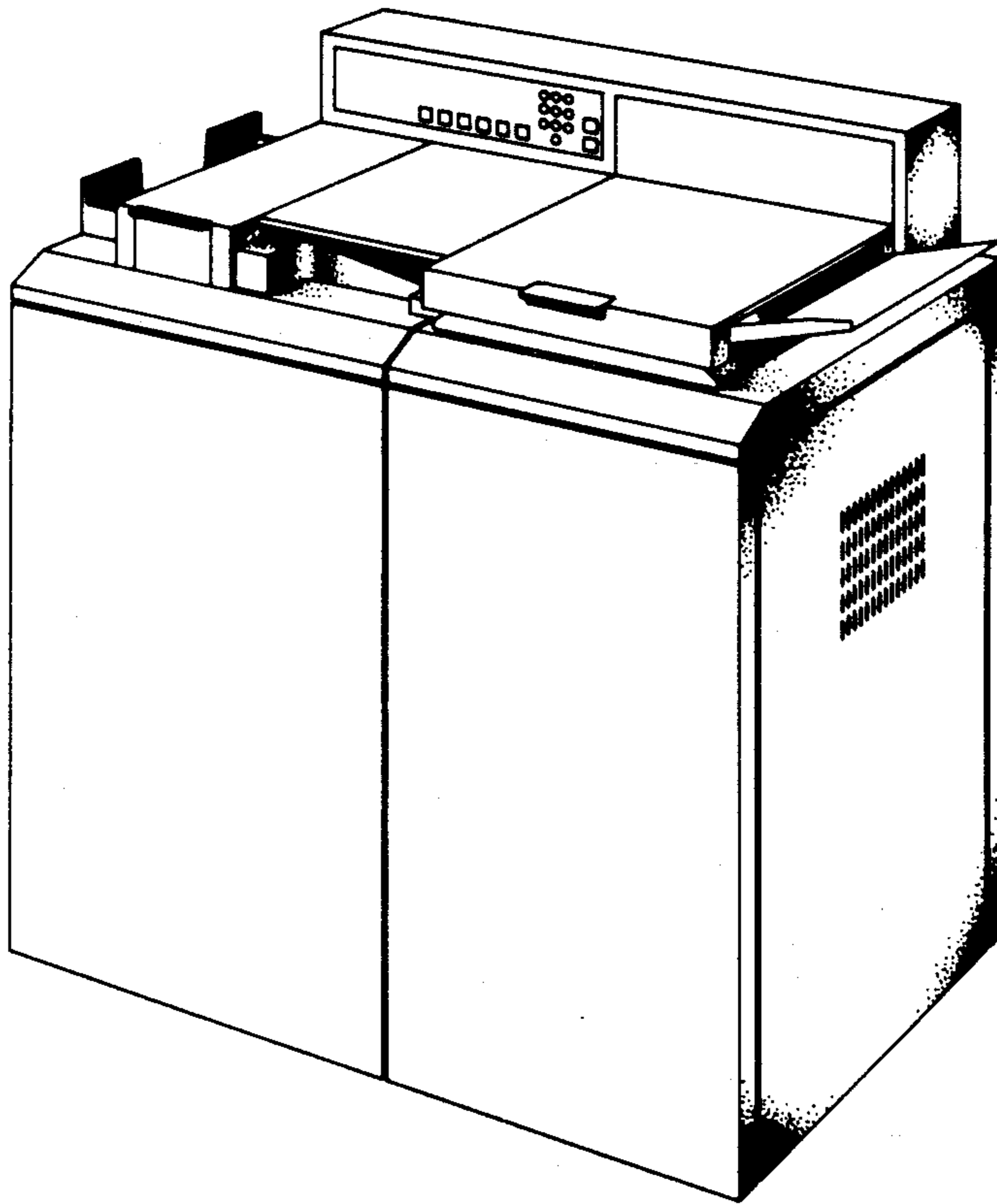


FIG. 1

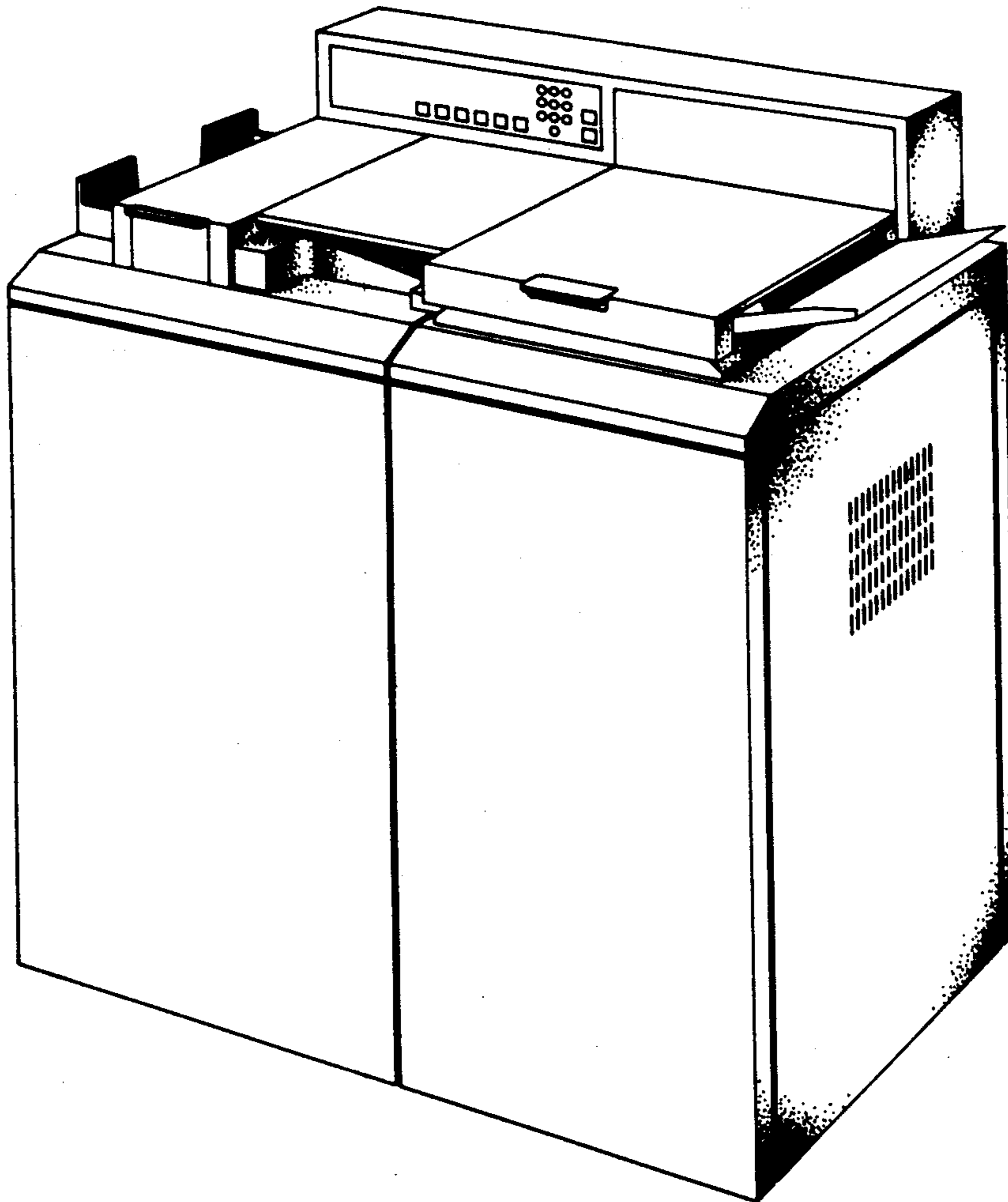


FIG. 2

