

[54] **BLADE FOR MIXING LIQUIDS IN A CONDUIT**

[75] **Inventors:** Norman R. Herbst; Ronald N. Salzman, both of Rochester; William F. Hutchings, Fairport; William J. Montano, Rochester, all of N.Y.

[73] **Assignee:** General Signal Corporation, Stamford, Conn.

[**] **Term:** 14 Years

[21] **Appl. No.:** 859,353

[22] **Filed:** Dec. 12, 1977

[51] **Int. Cl.** D15-99
[52] **U.S. Cl.** D15/138; D15/199
[58] **Field of Search** D15/122, 199, 98, 138; D7/160; 366/342, 343; 416/210, 223 R, 234, 231 A, 243

[56] **References Cited**

U.S. PATENT DOCUMENTS

170,989	12/1875	Cloudman	416/243
D. 226,823	5/1973	Landberg	D15/138
745,853	12/1903	Ingraham	416/243
2,201,947	5/1940	Valentine	366/342
3,887,300	6/1975	Quinn	416/223

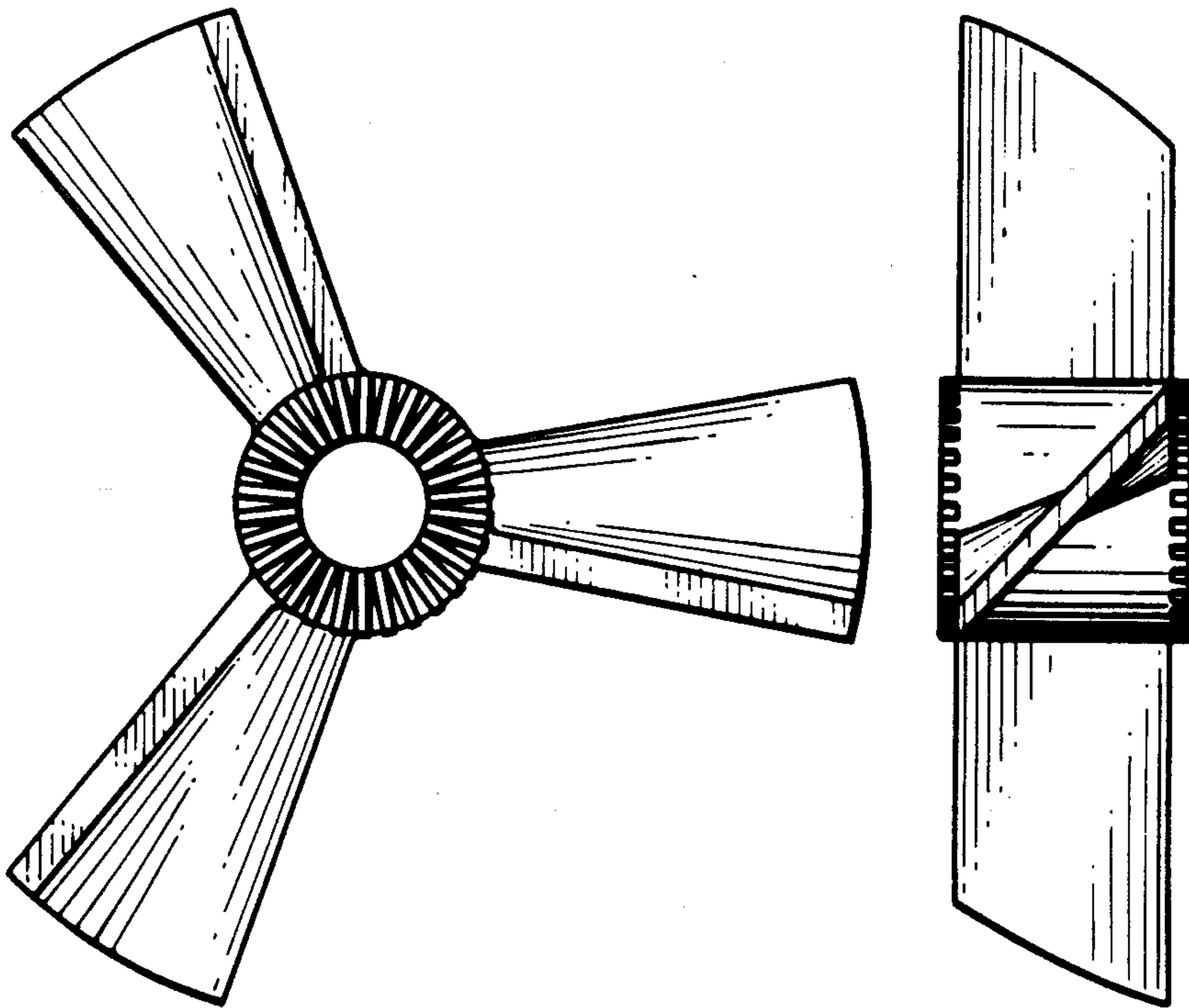
Primary Examiner—Wallace R. Burke
Assistant Examiner—B. J. Bullock
Attorney, Agent, or Firm—Jeffrey S. Mednick

[57] **CLAIM**

The ornamental design for a blade for mixing liquids in a conduit, as shown.

DESCRIPTION

FIG. 1 is a front view of a blade for mixing liquids in a conduit having our new design.
FIG. 2 is a rear view thereof shown in FIG. 1.
FIG. 3 is a side view taken from the right of FIG. 1; and,
FIG. 4 is a side view taken from the left of FIG. 1.



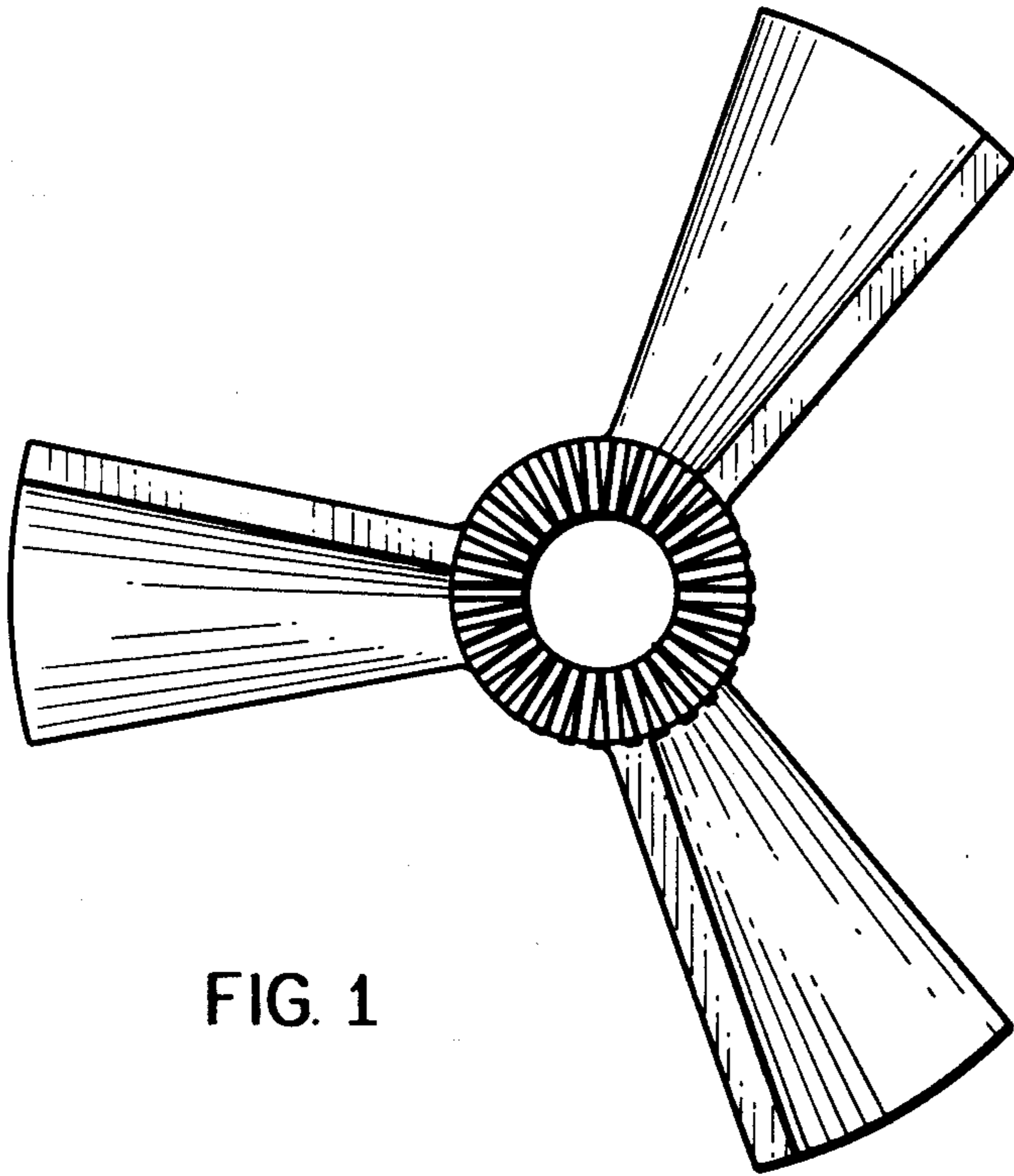


FIG. 1

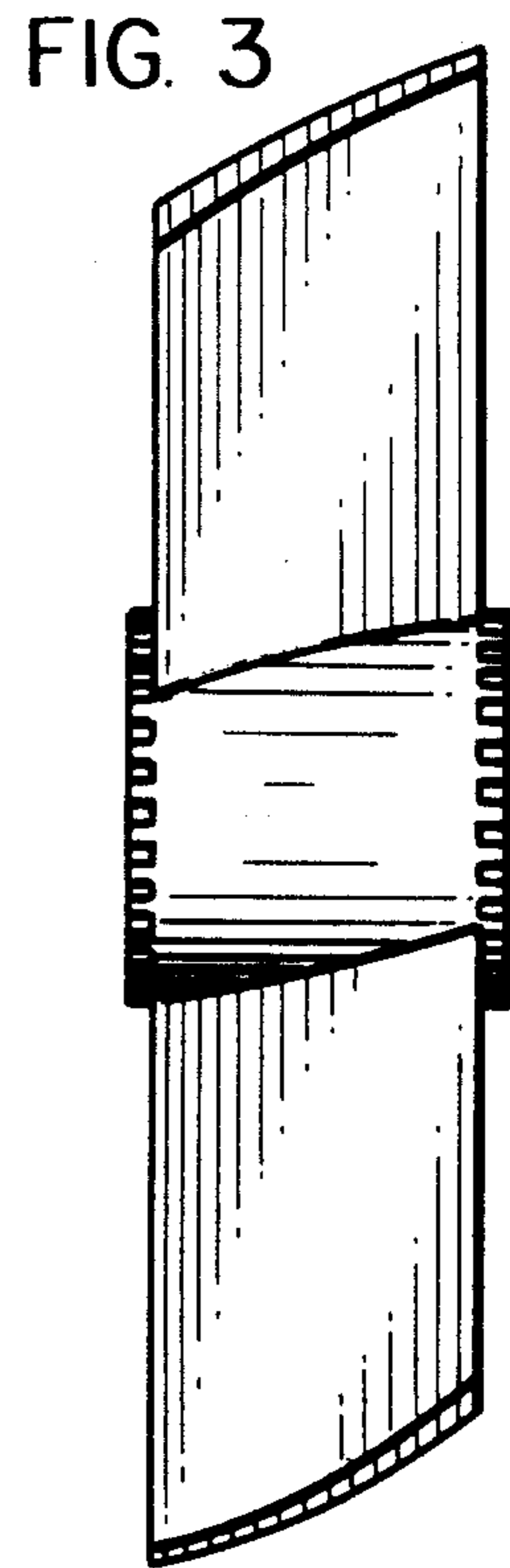


FIG. 3

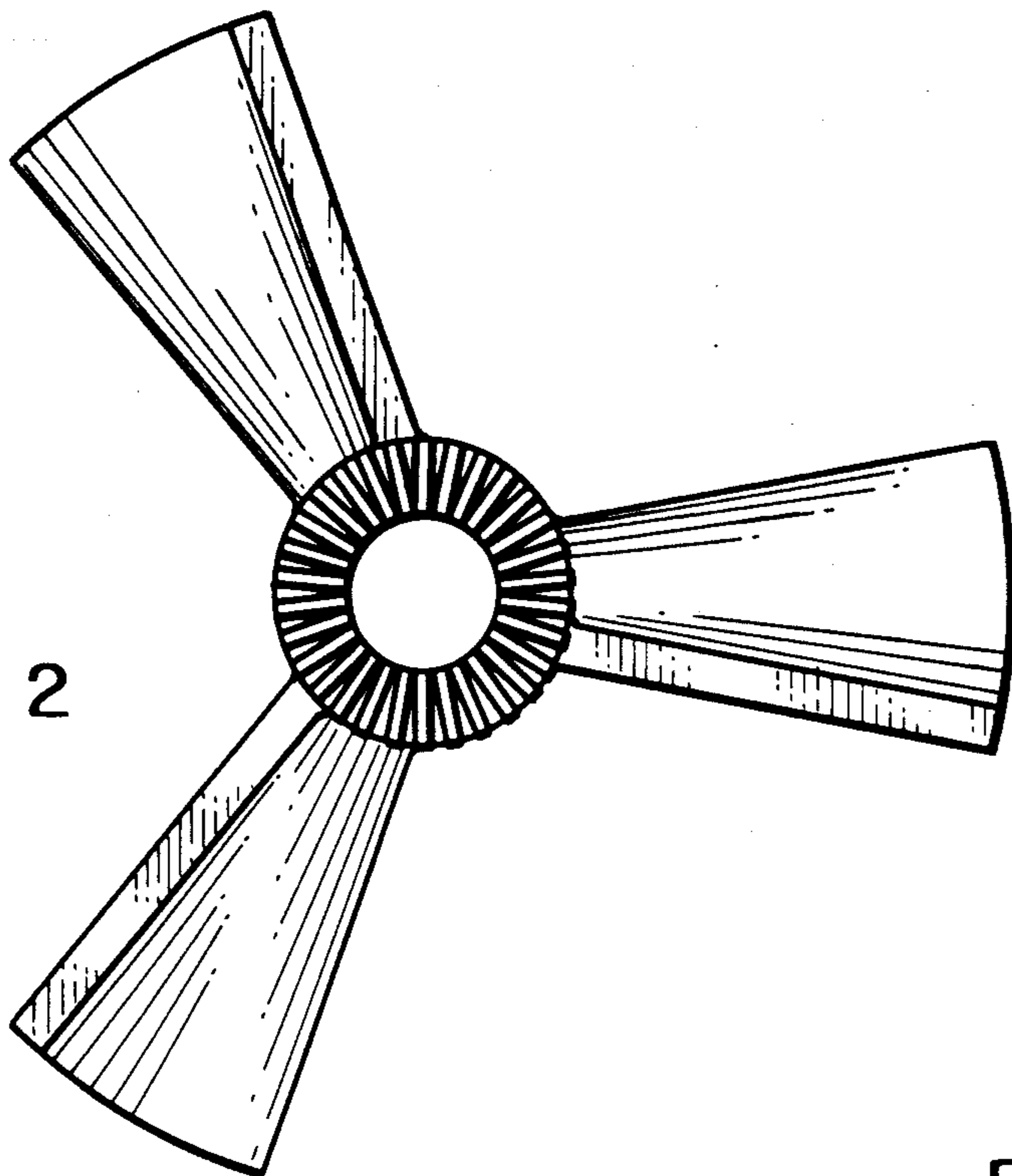


FIG. 2

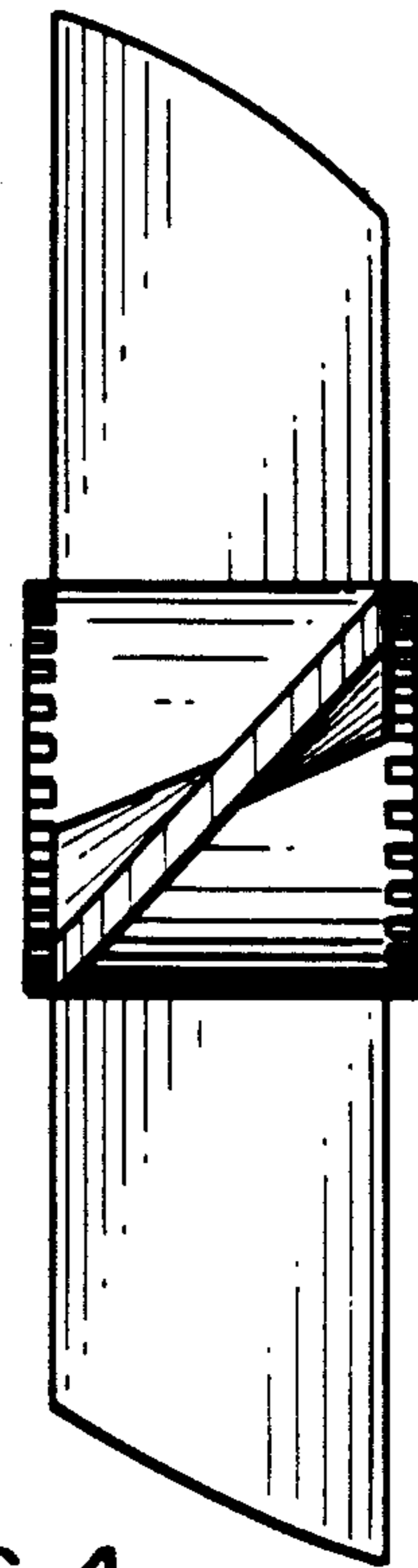


FIG. 4