

[54] TELEVISION CHANNEL SELECTOR KNOB

[76] Inventor: Jules Gettman, 34 Robbins La., Westbury, N.Y. 11590

[**] Term: 14 Years

[21] Appl. No.: 905,204

[22] Filed: May 12, 1978

[51] Int. Cl. D14-03

[52] U.S. Cl. D14/84

[58] Field of Search D14/1, 2, 5-7, D14/10, 14-20, 68-77, 79-84, 96, 99, 21, 25; D8/310; 116/DIG. 31, 309

[56] References Cited

U.S. PATENT DOCUMENTS

D. 104,502	5/1937	Overmyer	D8/310
D. 191,206	8/1961	Bateman	D14/84
3,972,241	8/1976	Valdettaro	116/DIG. 31

OTHER PUBLICATIONS

"Dimco Plastic Knobs," Cat. #1, Supplement #1, p. 10, Item #265.

Radio Shack Fall Sale Cat., #291, p. 12, Item #21-1540, right dial with knob.

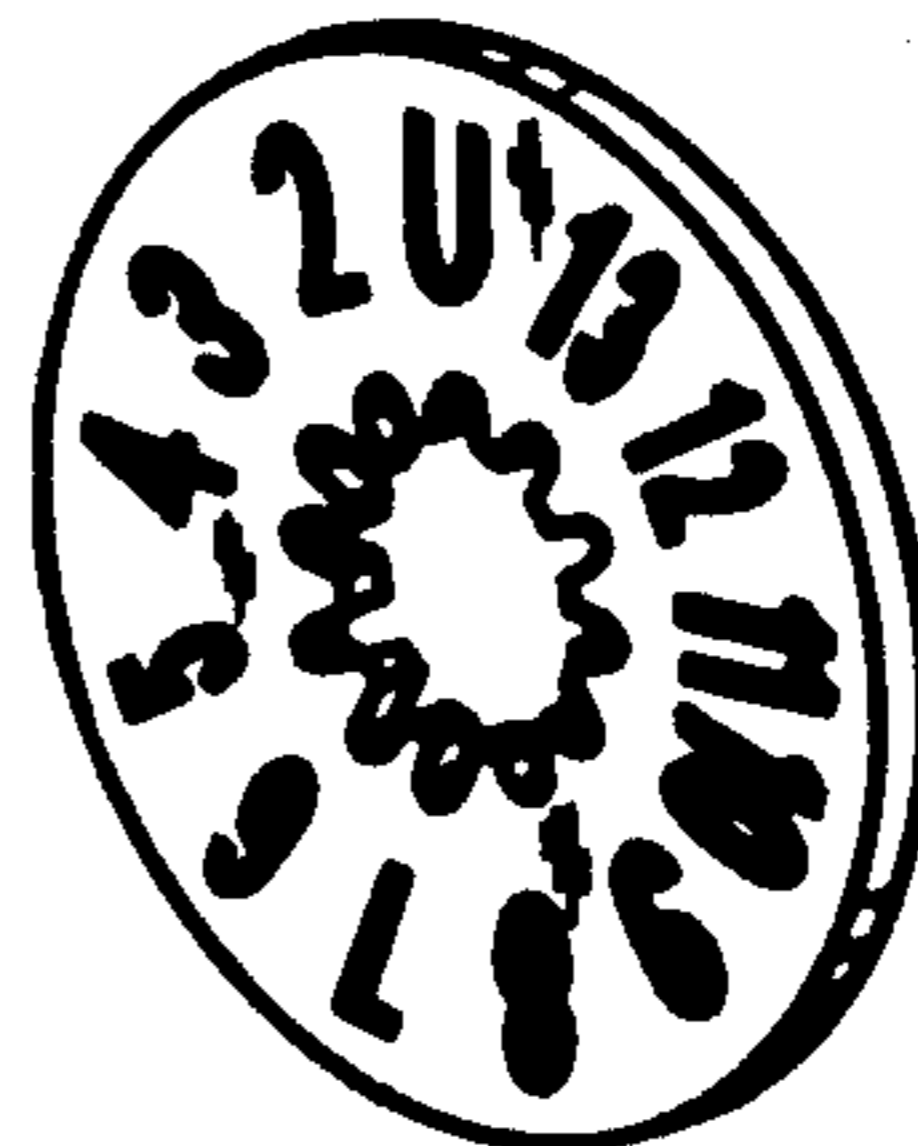
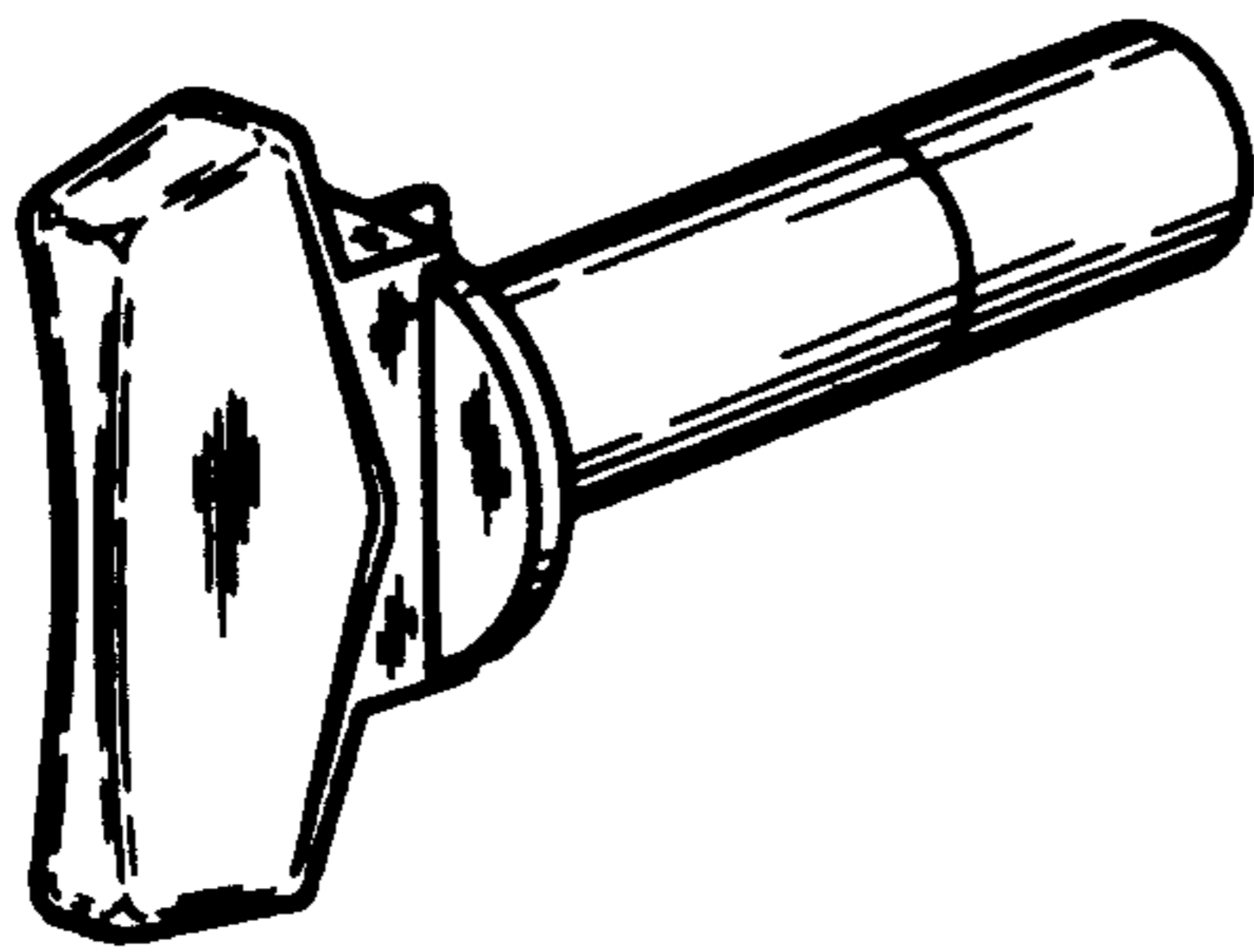
Primary Examiner—Joel Stearman
Assistant Examiner—Jane E. Corrigan
Attorney, Agent, or Firm—Bauer & Amer

[57] CLAIM

The ornamental design for a television channel selector knob, substantially as shown and described.

DESCRIPTION

FIG. 1 is an exploded front perspective view of a television channel selector knob showing my new design; FIG. 2 is a front perspective view of the selector shaft portion of the knob; FIG. 3 is a left side elevational view thereof; and FIG. 4 is a right side elevational view thereof.



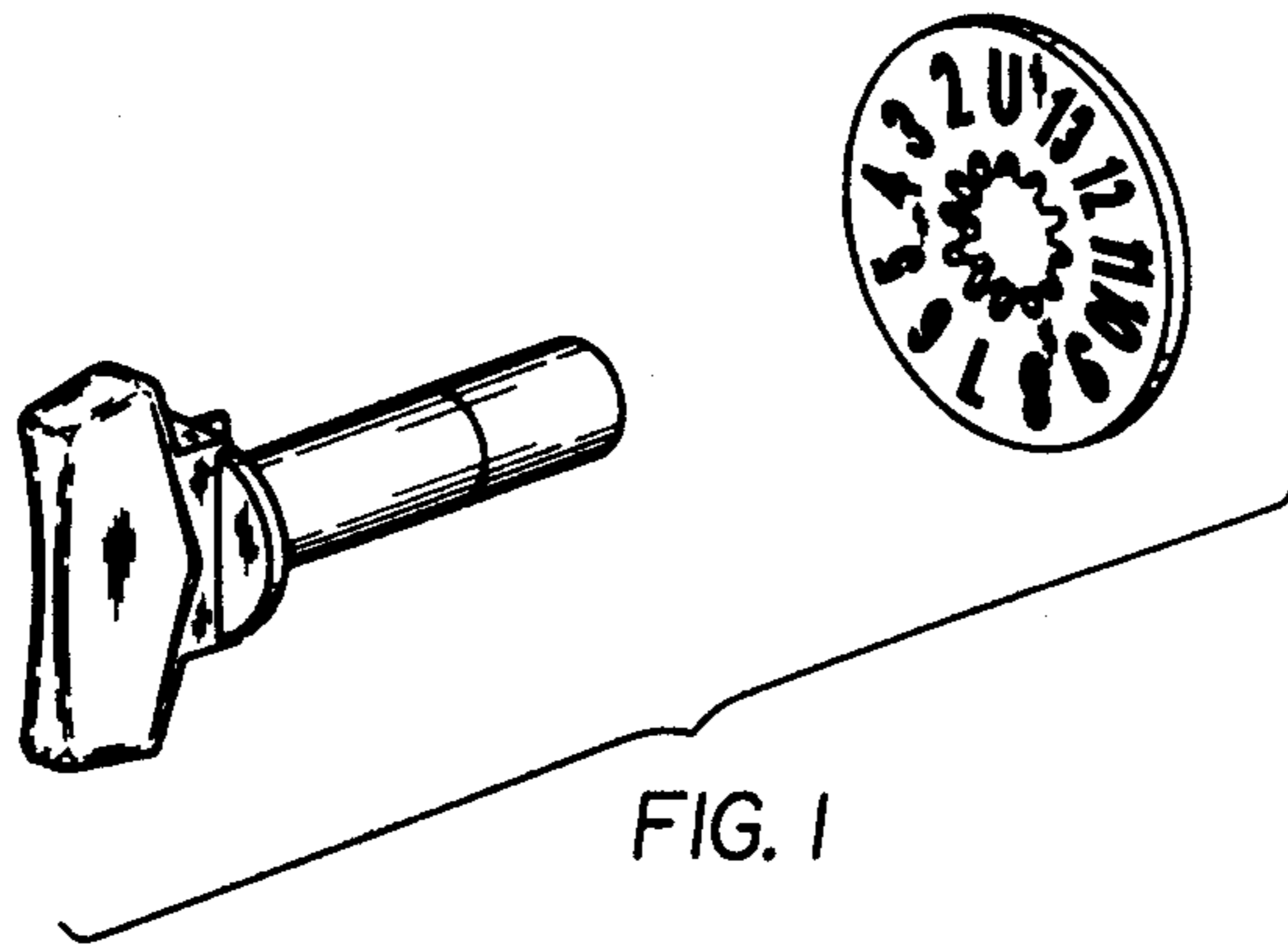


FIG. 3

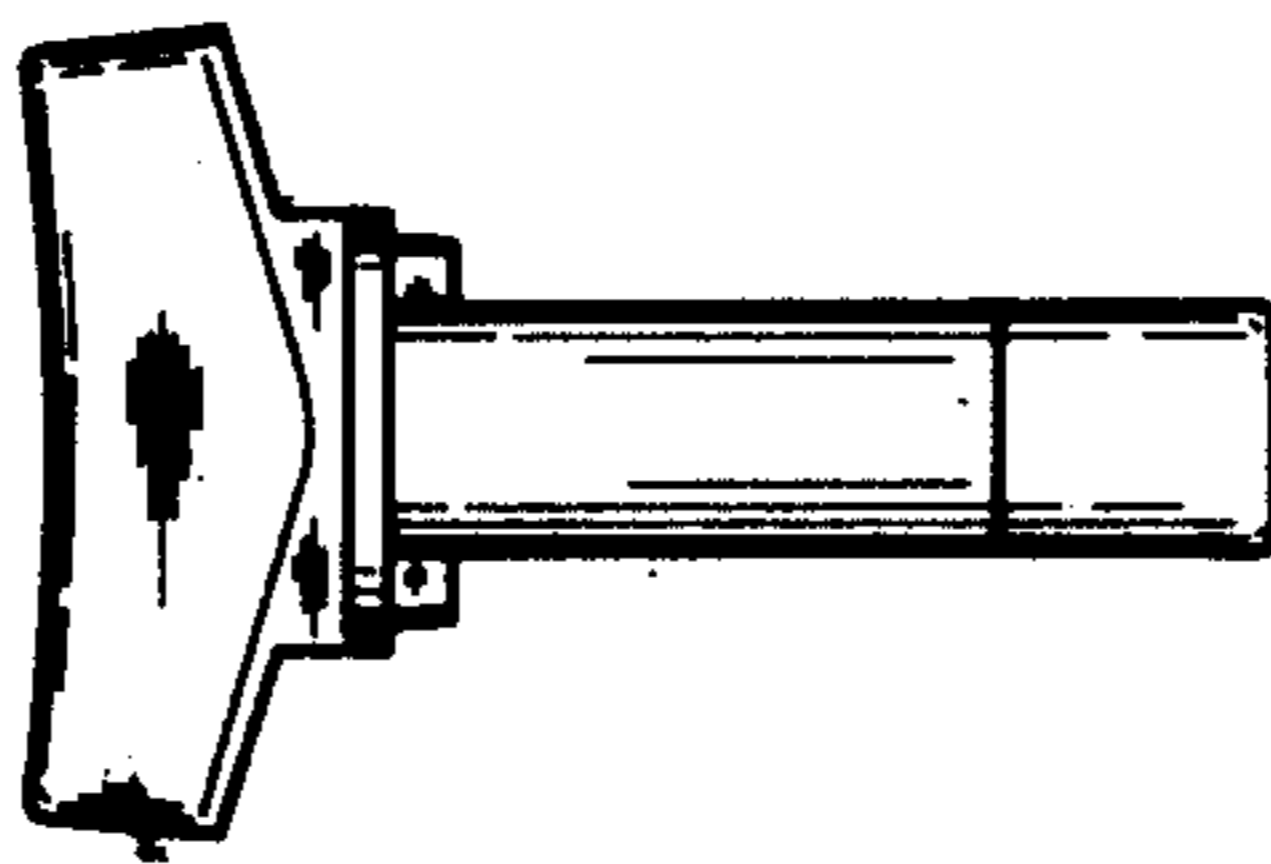


FIG. 2

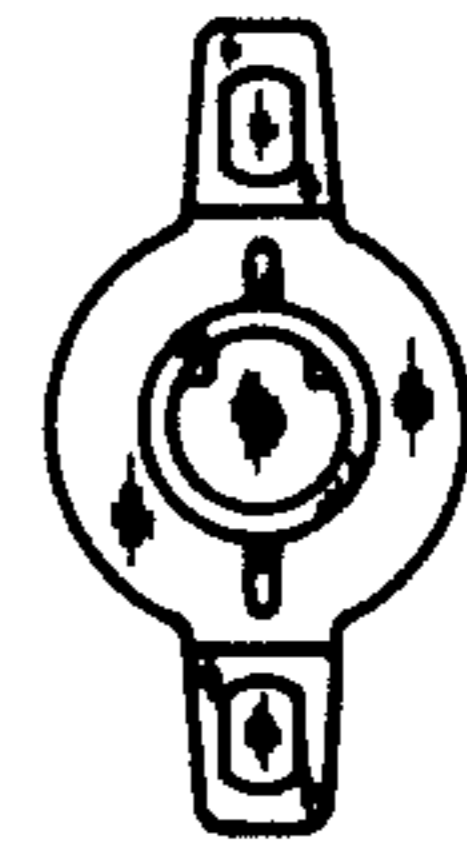


FIG. 4