

[54] PLANT RECEPTACLE OR THE LIKE

[75] Inventors: Harold P. Ashton, Providence, R.I.;
Rino Conti, Stoughton, Mass.

[73] Assignee: Dart Industries Inc., Los Angeles,
Calif.

[**] Term: 14 Years

[21] Appl. No.: 35,767

[22] Filed: May 3, 1979

[51] Int. Cl. D11-02

[52] U.S. Cl. D11/152

[58] Field of Search D11/143-149,
D11/151-156, 164; 47/66, 67, 68, 69, 71-72,
79-83, 85-87, 41 R, 41 SS, 41.1, 41.13

[56] References Cited

U.S. PATENT DOCUMENTS

Re. 28,854 6/1976 Bufton D11/152
3,896,587 7/1975 Insalaco 47/66

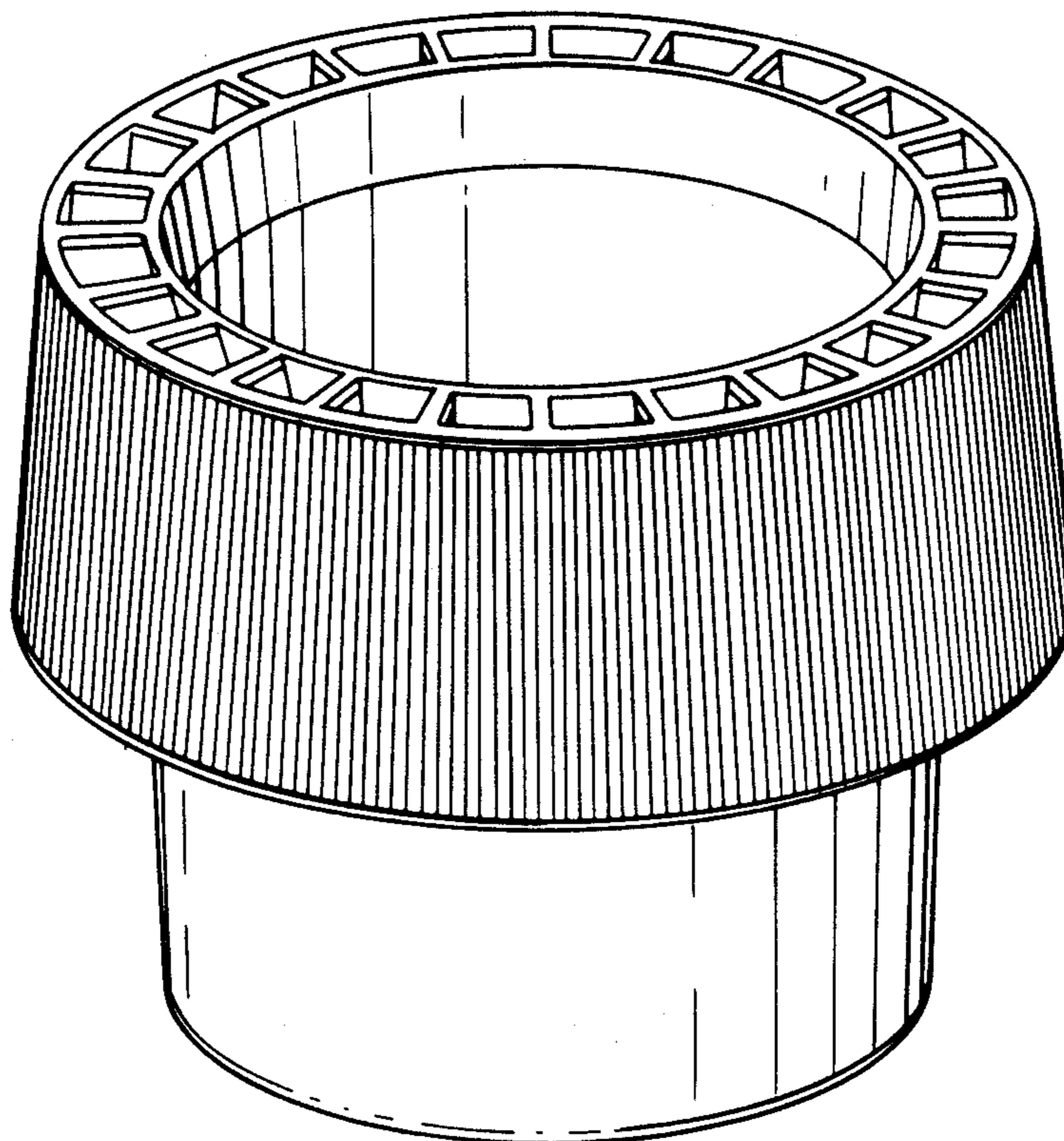
Primary Examiner—Wallace R. Burke
Assistant Examiner—B. J. Bullock
Attorney, Agent, or Firm—Leigh B. Taylor

[57] CLAIM

The ornamental design for a plant receptacle or the like,
substantially as shown.

DESCRIPTION

FIG. 1 is a top perspective view of a plant receptacle or
the like embodying our new design;
FIG. 2 is a side elevational view thereof;
FIG. 3 is a sectional view taken in the direction of the
arrows on line 3-3 of FIG. 4;
FIG. 4 is a top plan view thereof; and,
FIG. 5 is a bottom plan view thereof;



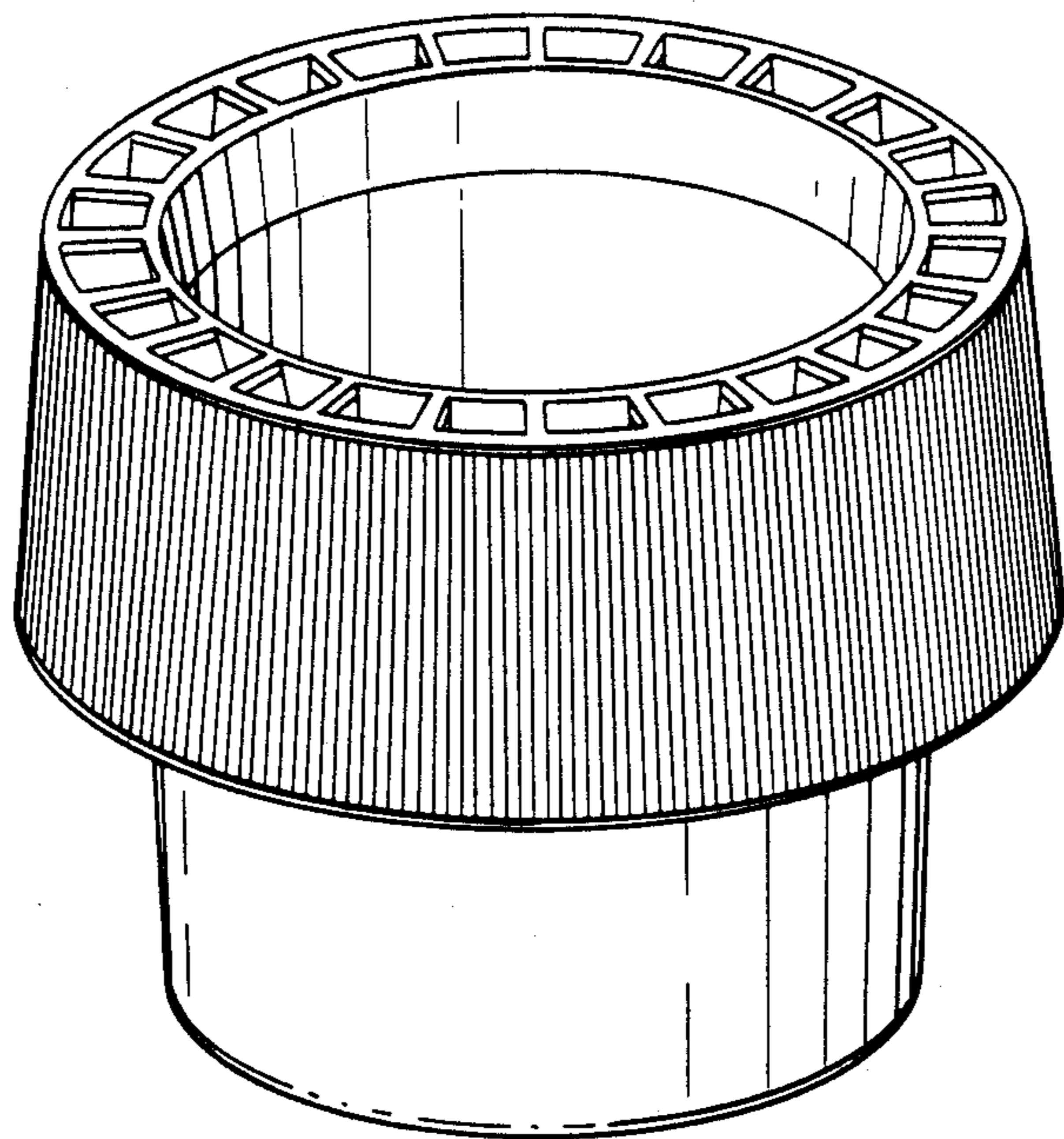


FIG. 1

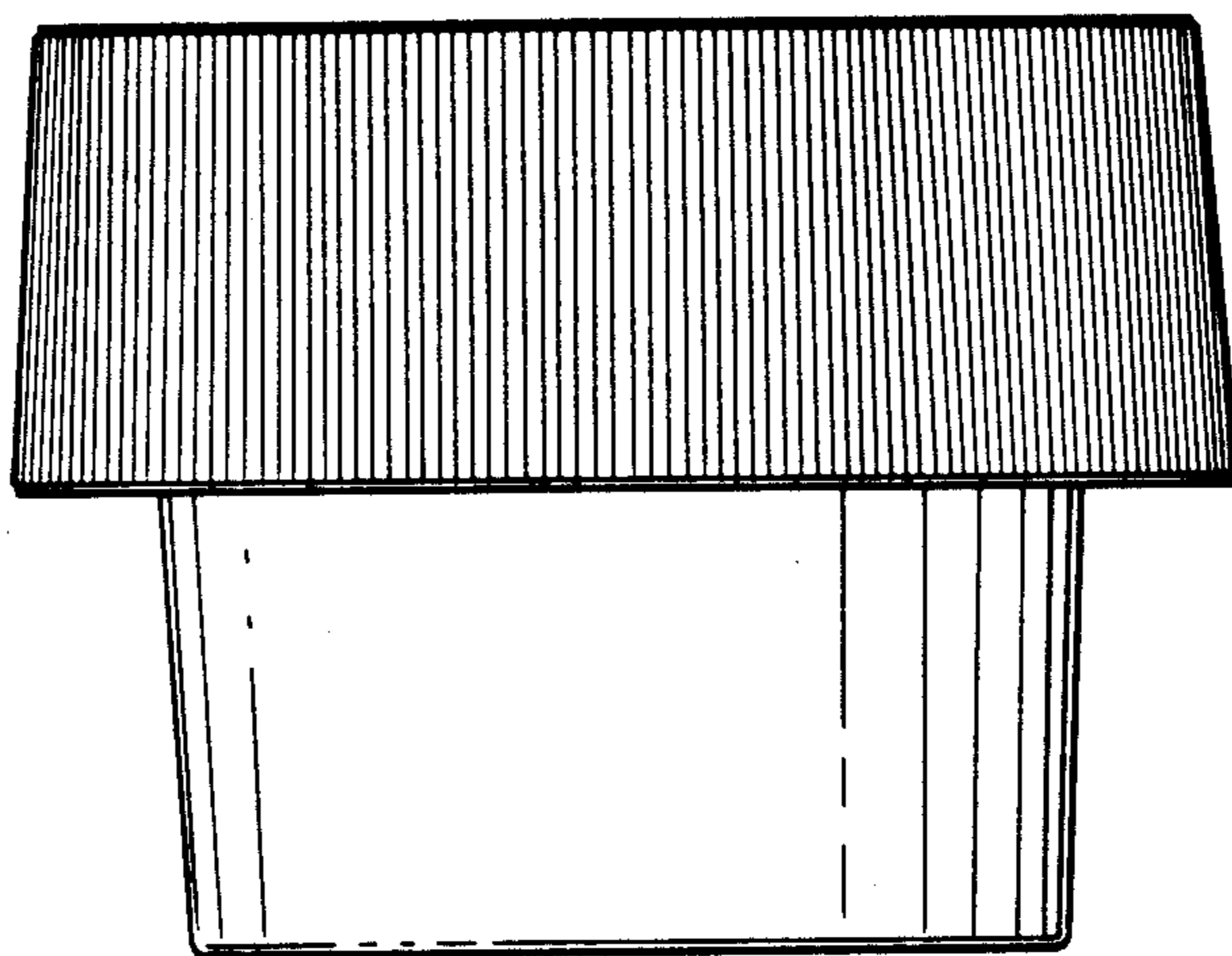


FIG. 2

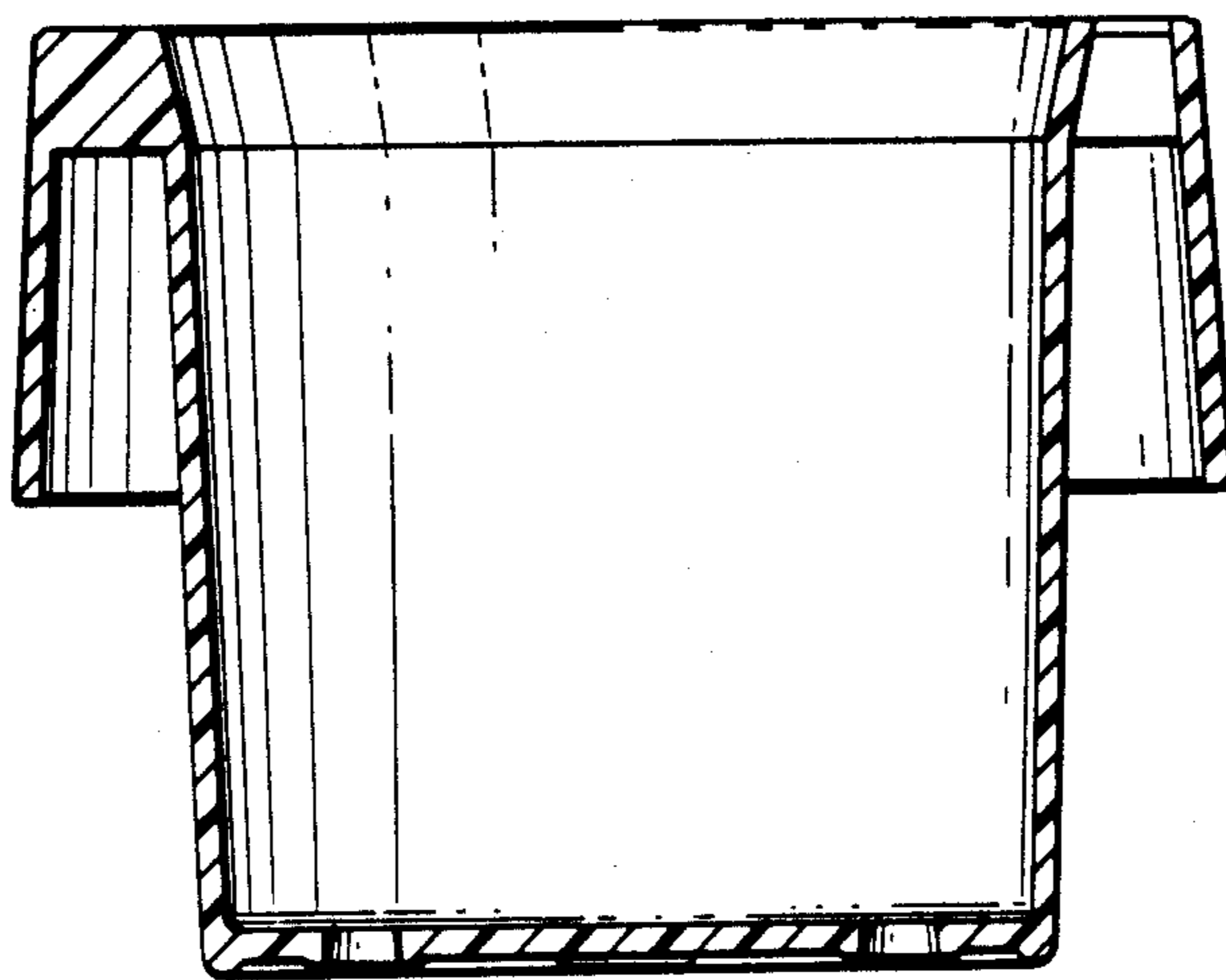


FIG. 3

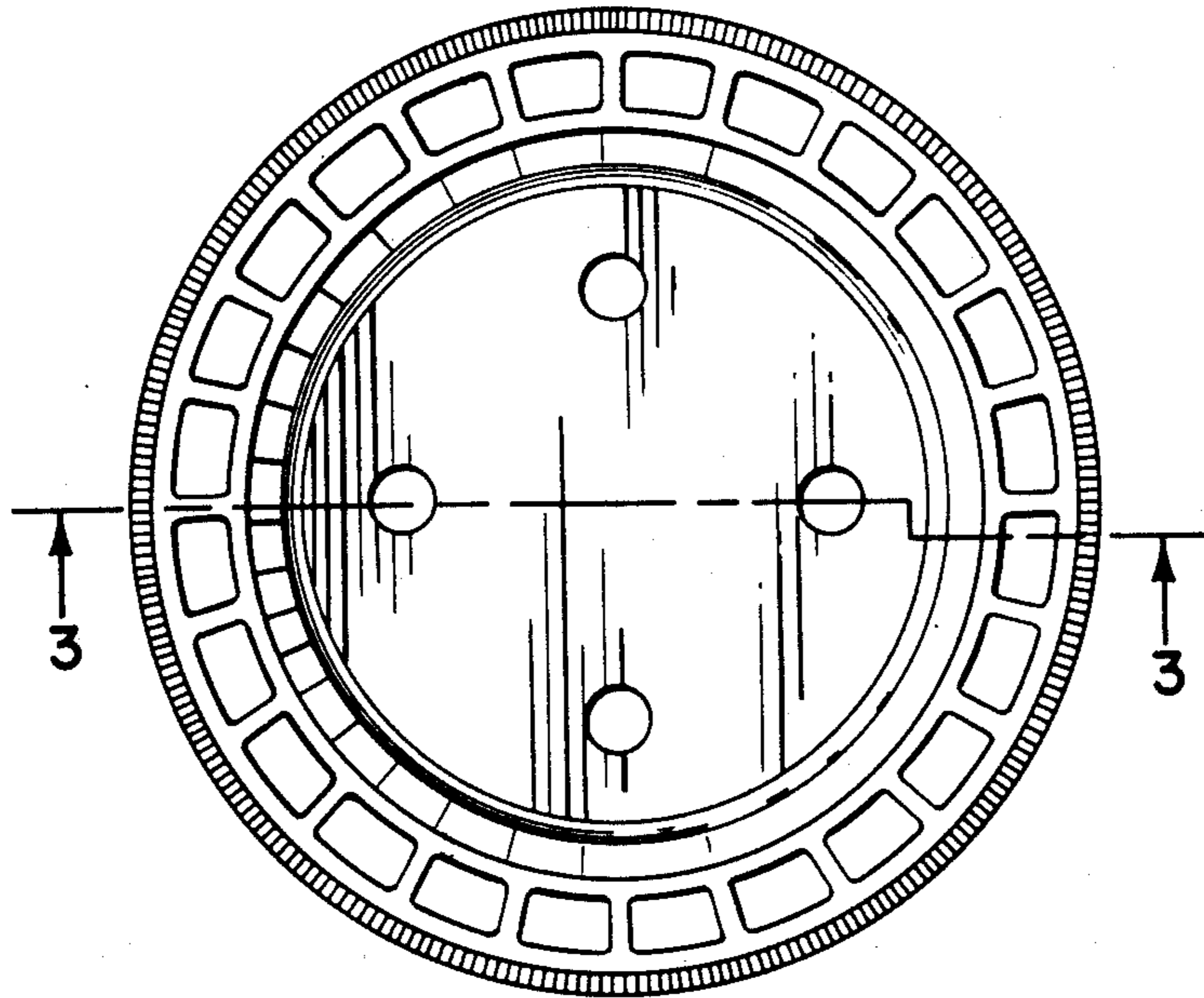


FIG. 4

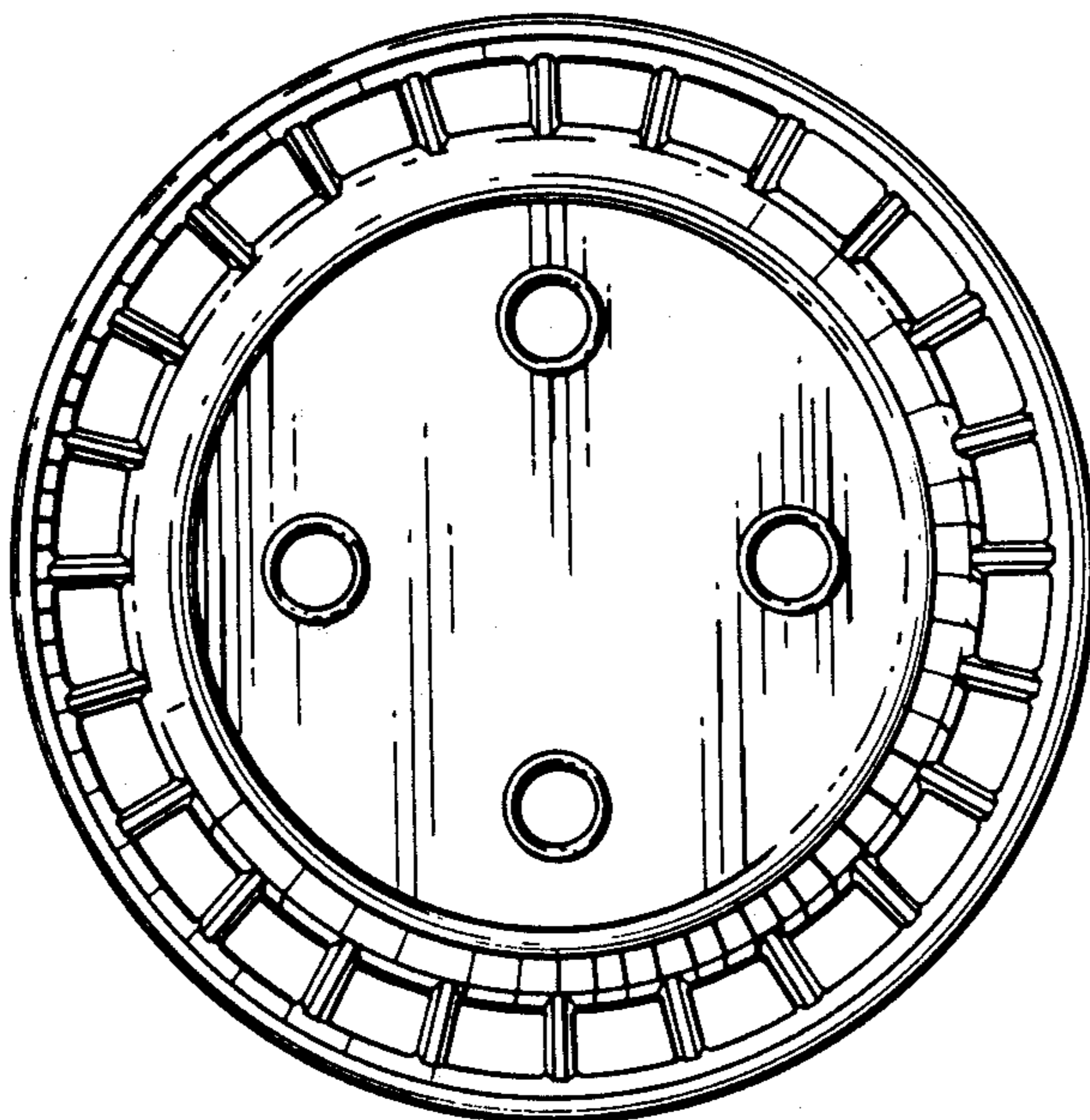


FIG. 5