

[54] TRAVEL ALARM CLOCK

[75] Inventors: Jack G. Anderson, Avon, Conn.;
Thomas V. Guerriere, Lake Grove,
N.Y.

[73] Assignee: ILC Data Device Corporation,
Bohemia, N.Y.

[**] Term: 14 Years

[21] Appl. No.: 859,935

[22] Filed: Dec. 12, 1977

[51] Int. Cl. D10-01

[52] U.S. Cl. D10/15; D10/18

[58] Field of Search D10/15, 18, 21, 24-27,
D10/122-126; 58/152 R, 23 R, 50 R, 53, 56,
126 R, 126 A, 127 R

[56] References Cited

U.S. PATENT DOCUMENTS

- D. 235,093 5/1975 Kroner D10/18
- D. 238,558 1/1976 Terada D10/15

OTHER PUBLICATIONS

Home Furnishings Daily, Jul. 14/75, Sec. 2, p. 40, Lum-
time Model C-21, Digital Alarm Clock at lower left.

Primary Examiner—Nelson C. Holtje

Attorney, Agent, or Firm—Lerner, David, Littenberg &
Samuel

[57] CLAIM

The ornamental design for a travel alarm clock, as
shown and described.

DESCRIPTION

FIG. 1 is a top and right front perspective view of a
travel alarm clock showing our new design in the
closed position;

FIG. 2 is a top plan view thereof;

FIG. 3 is a front elevational view thereof;

FIG. 4 is a bottom plan view thereof;

FIG. 5 is a top and right front perspective view of the
travel alarm clock in the open position;

FIG. 6 is a top and right rear perspective view thereof;

FIG. 7 is a right side elevational view thereof, the left
side view being a mirror image thereto;

FIG. 8 is top plan view thereof;

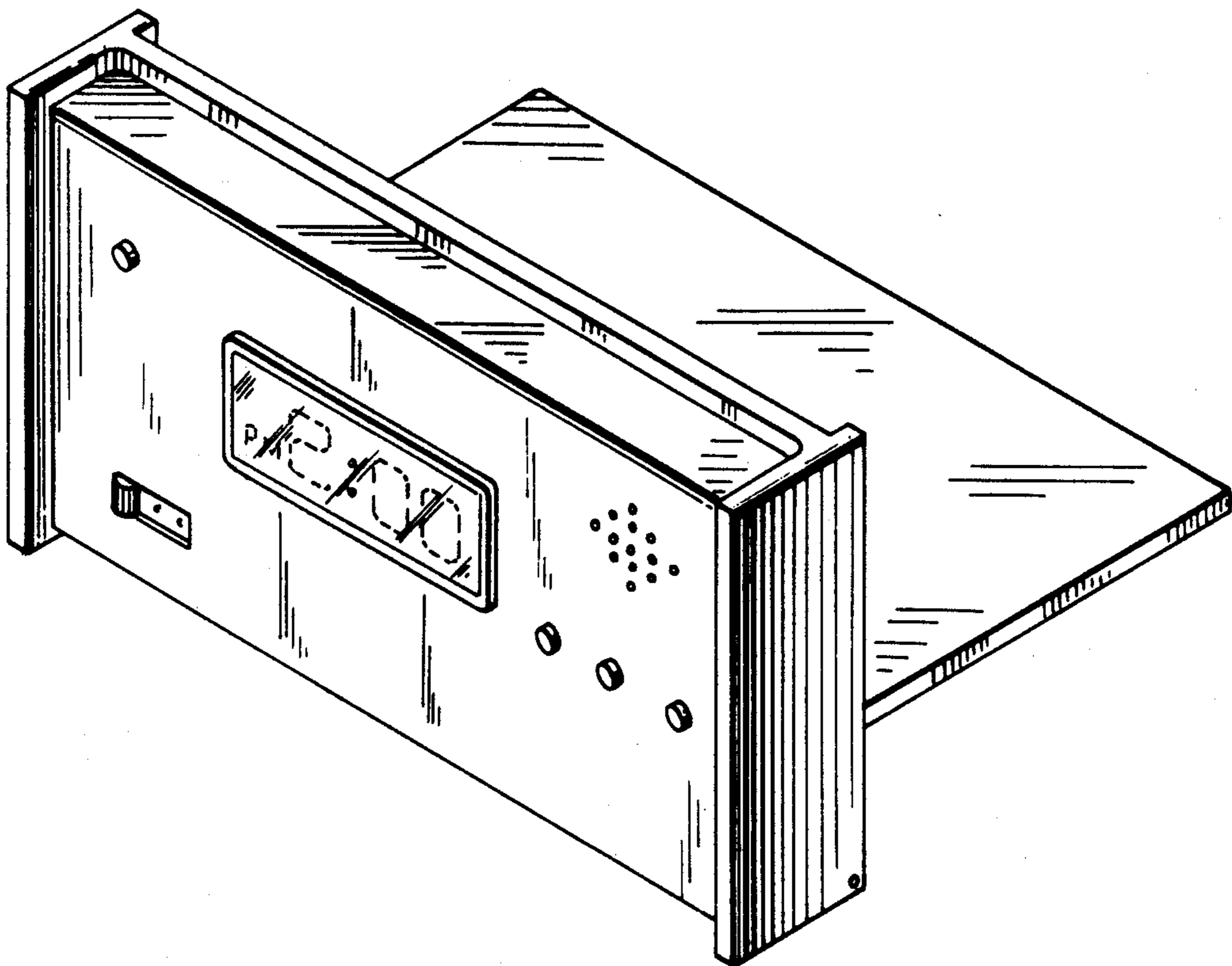
FIG. 9 is a rear elevational view thereof;

FIG. 10 is a bottom plan view thereof;

FIG. 11 is a cross-sectional view of FIG. 1 as taken
from the right side; and

FIG. 12 is a cross-sectional view of FIG. 5 as taken
from the right side.

FIG. 12 shows the travel alarm in the tilted position
when placed upon a horizontal support surface, while
FIGS. 5 through 10 show the travel alarm in the un-
tilted position to simplify their presentation in the Fig-
ures.



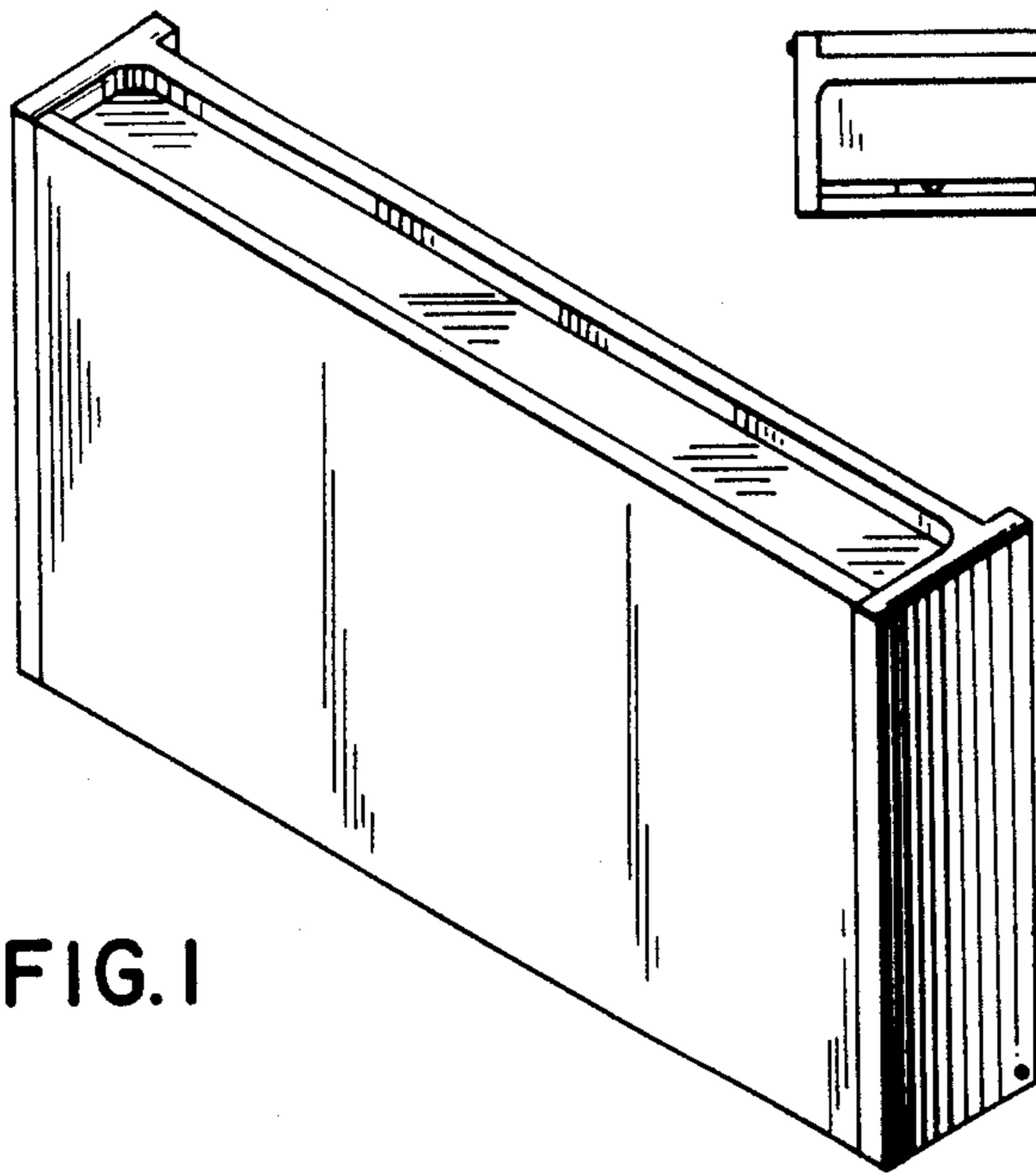


FIG. 1

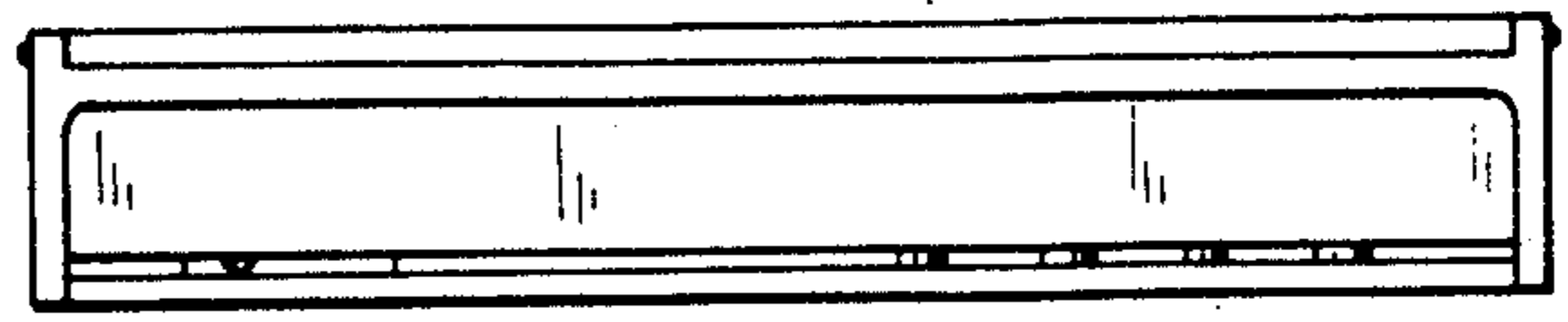


FIG. 2

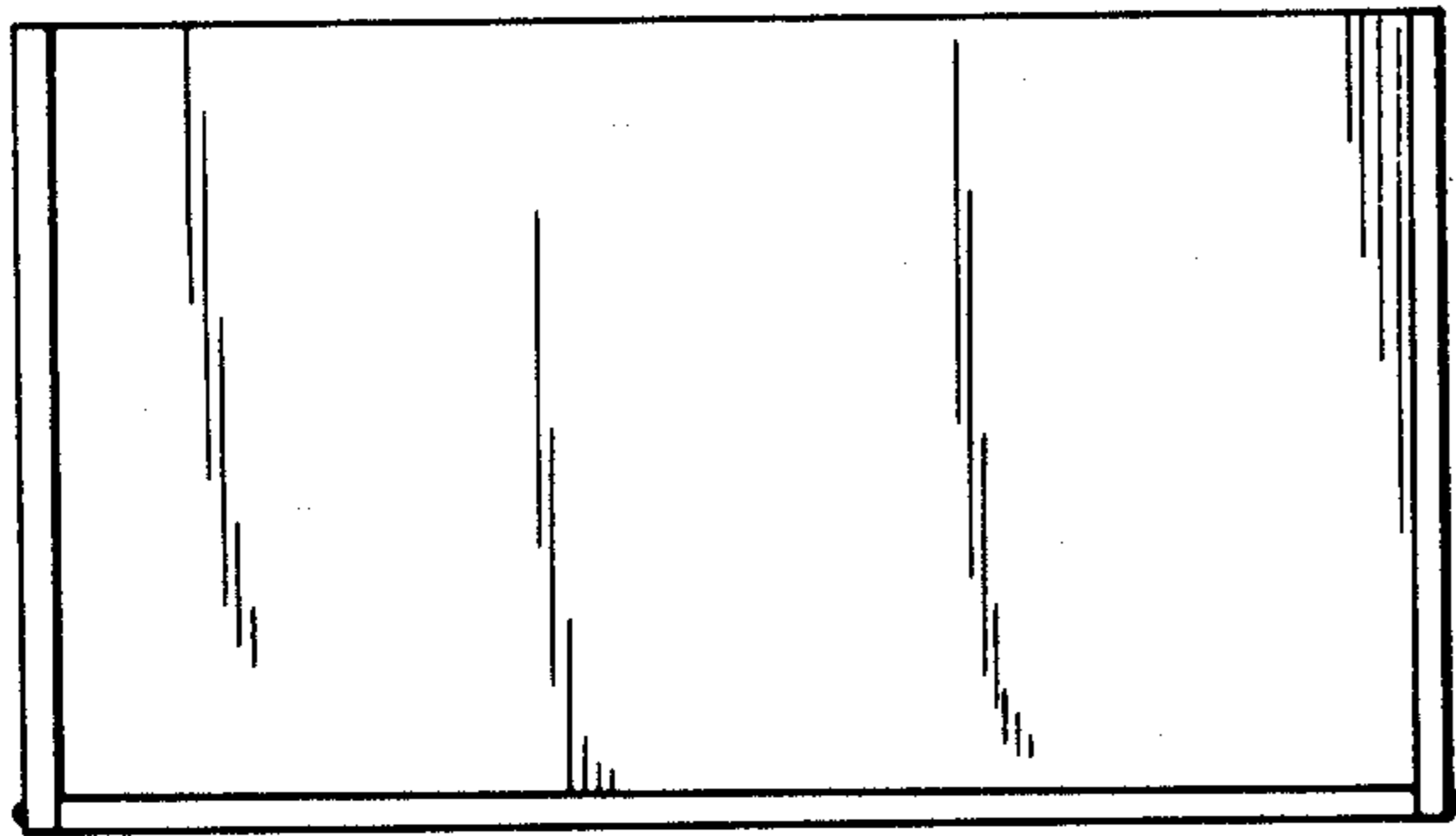


FIG. 3

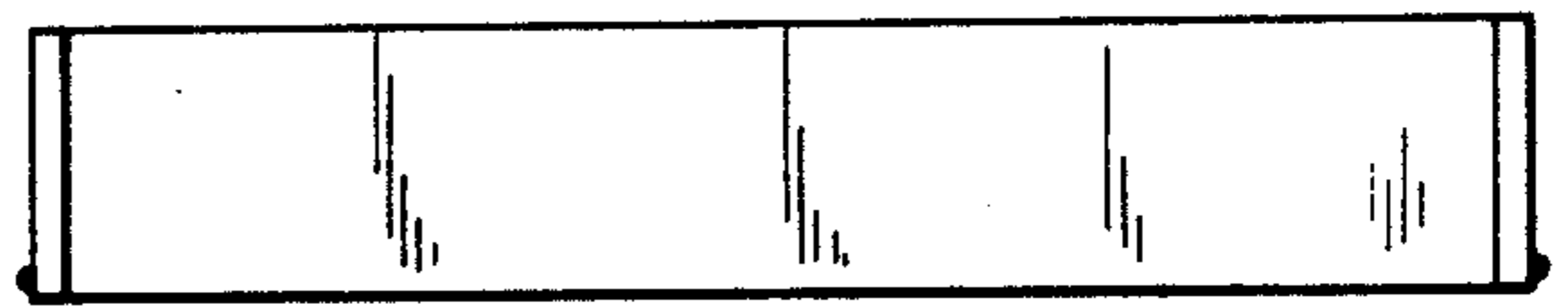


FIG. 4

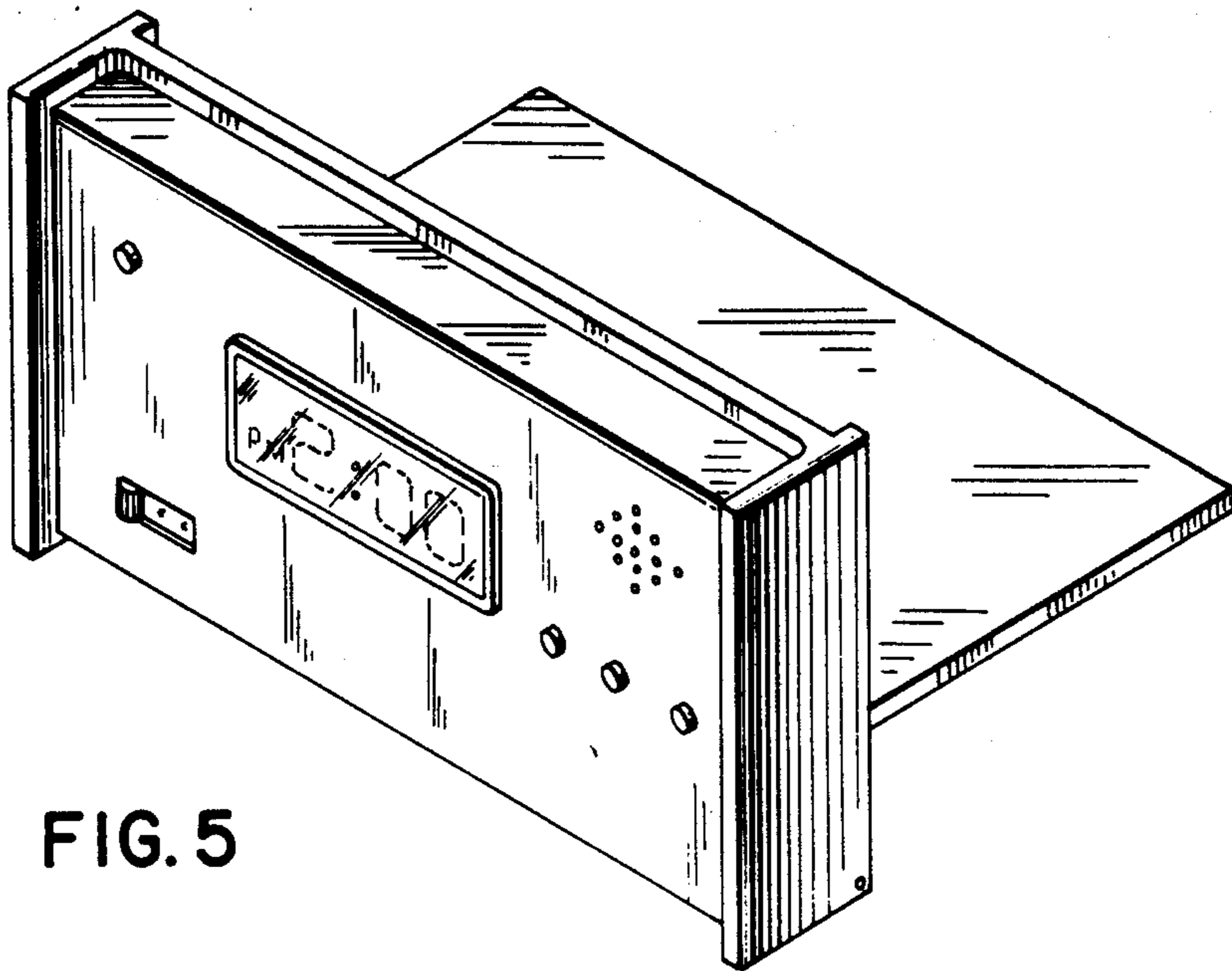


FIG. 5

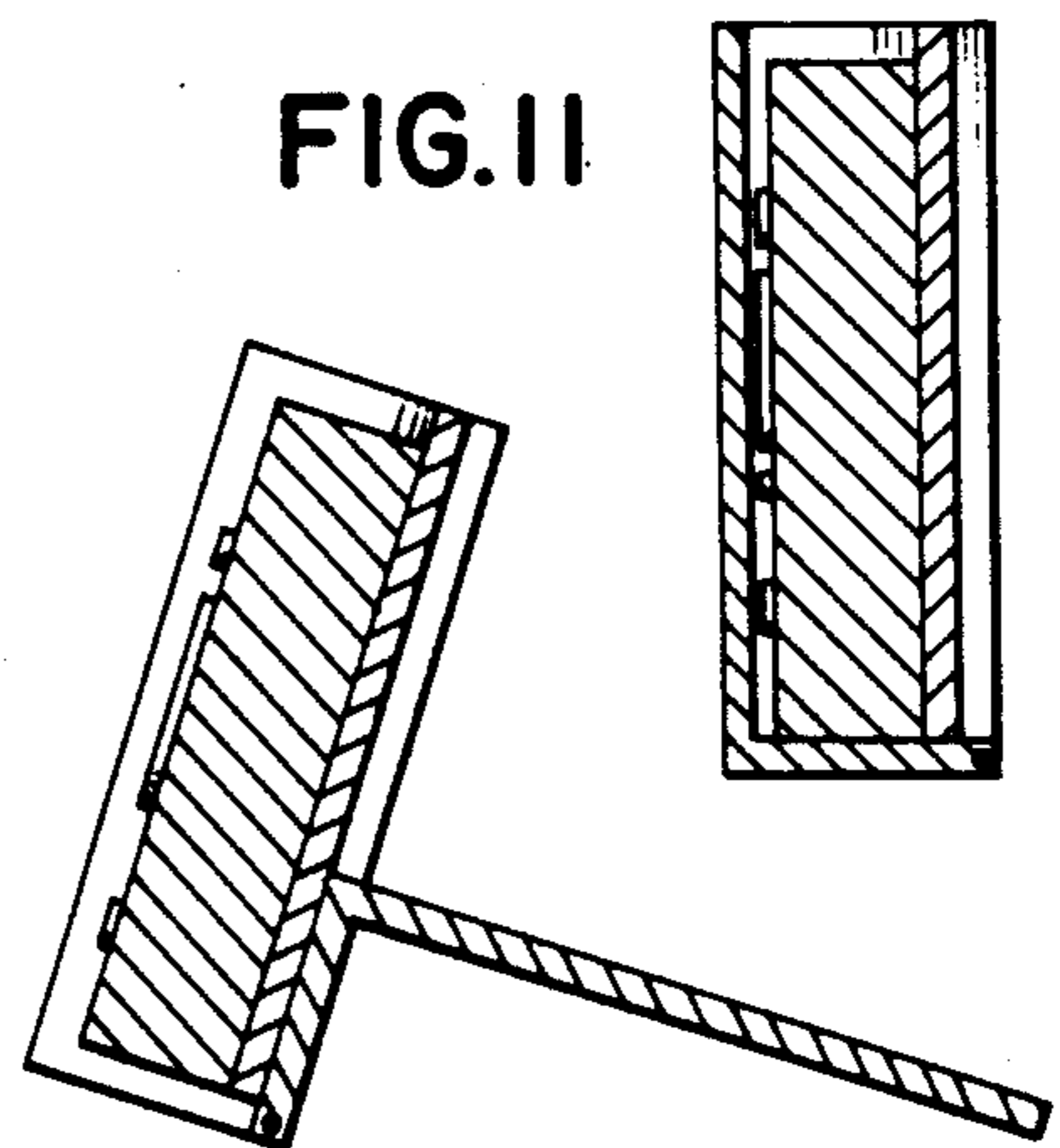
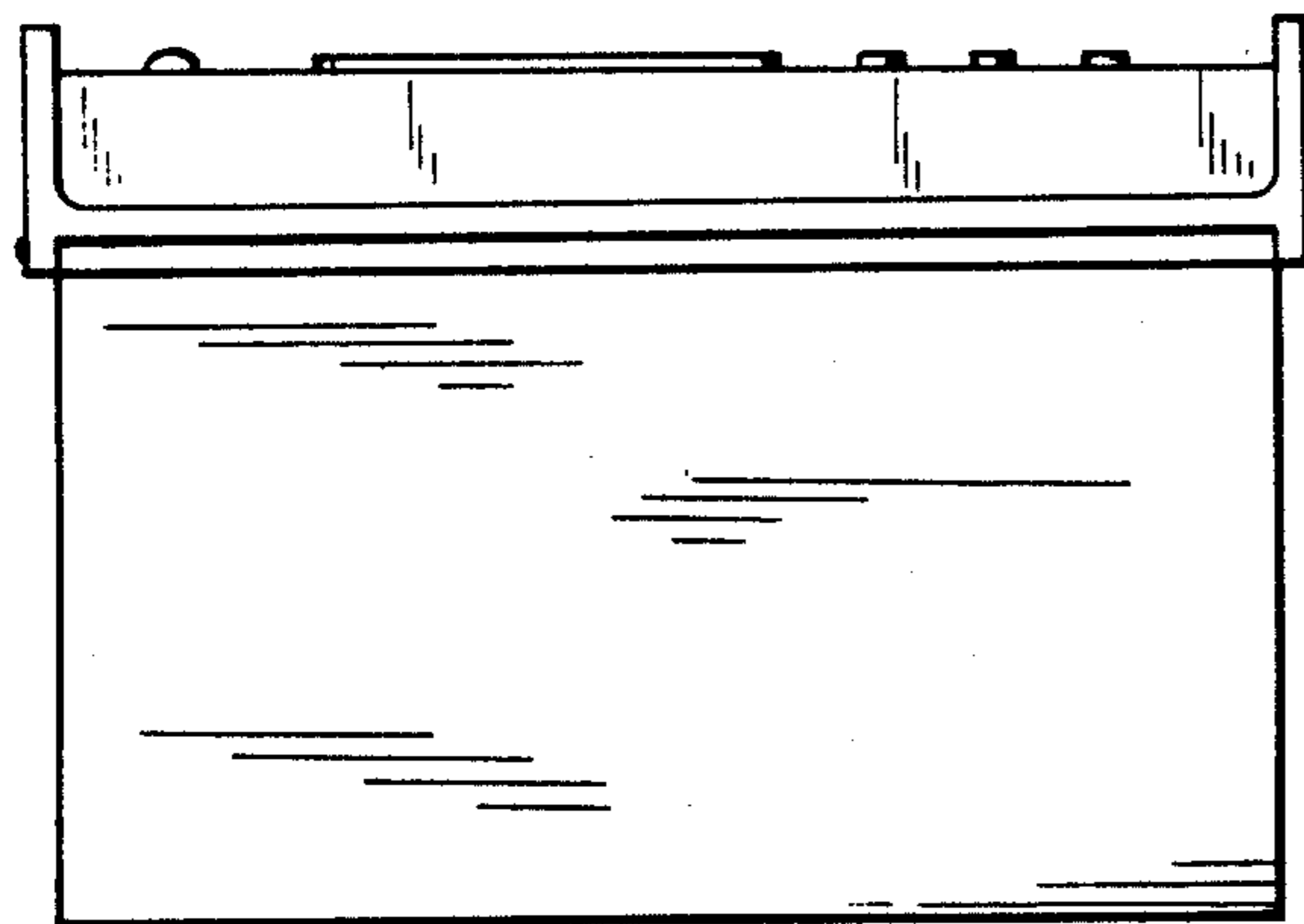
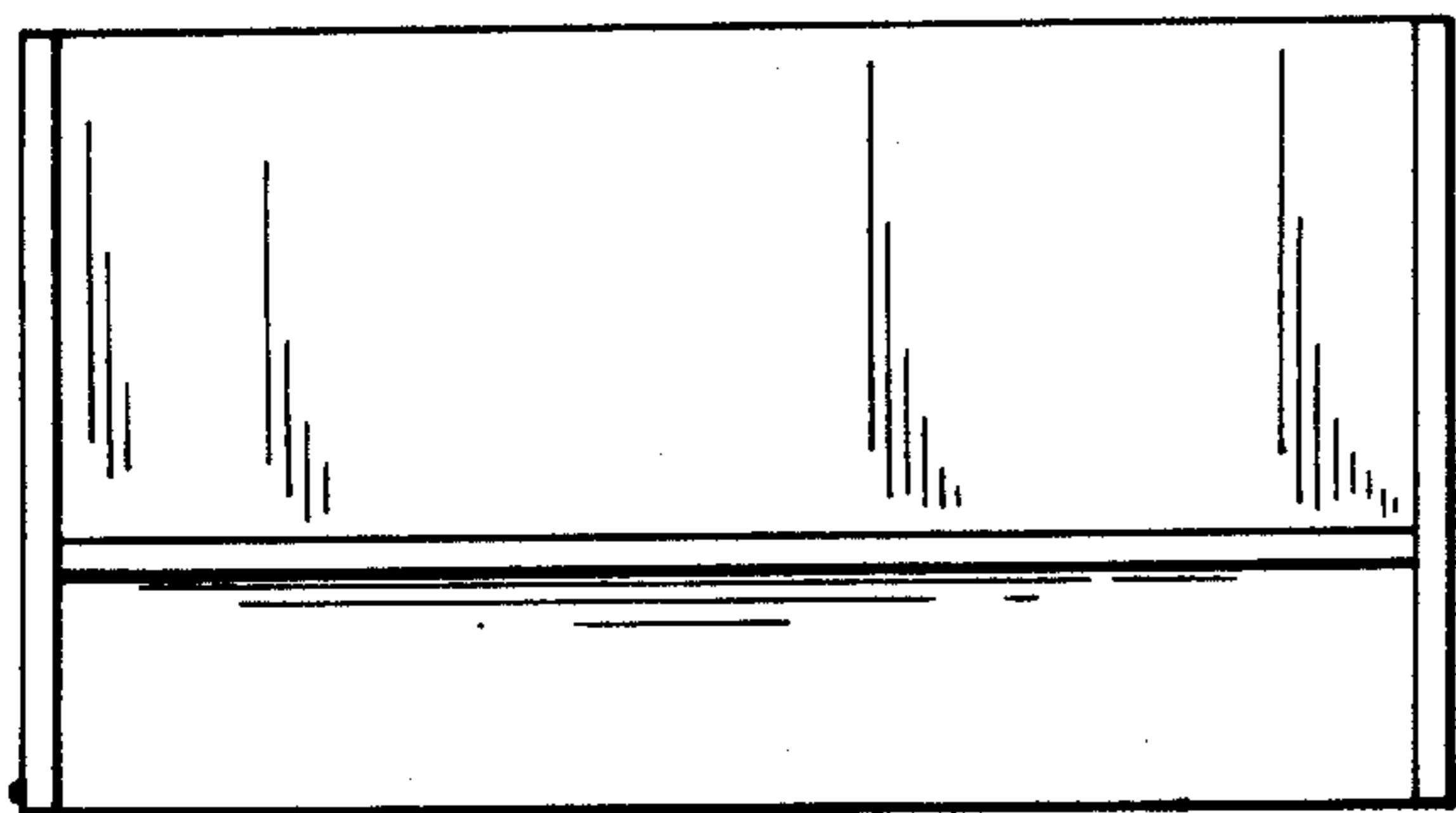
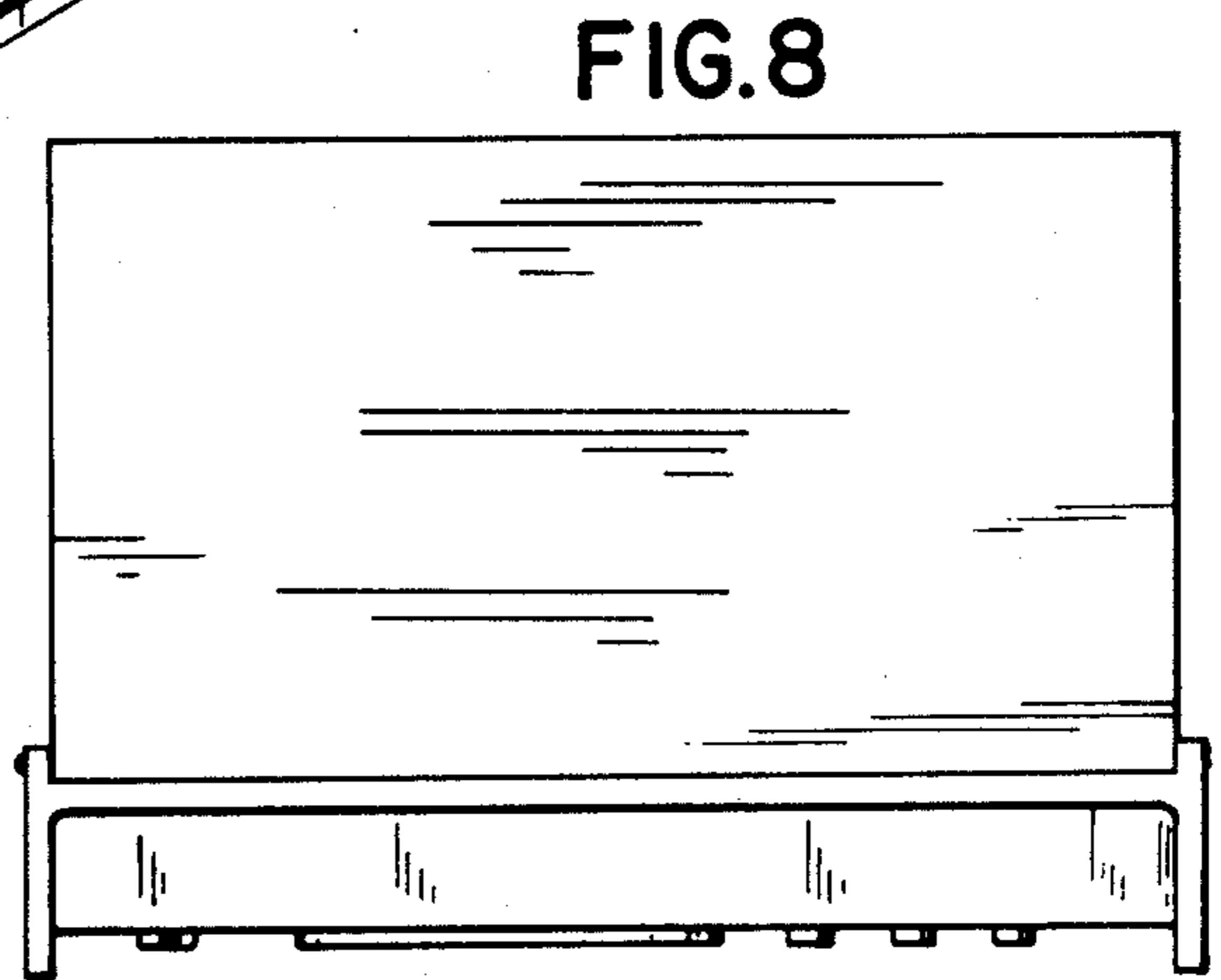
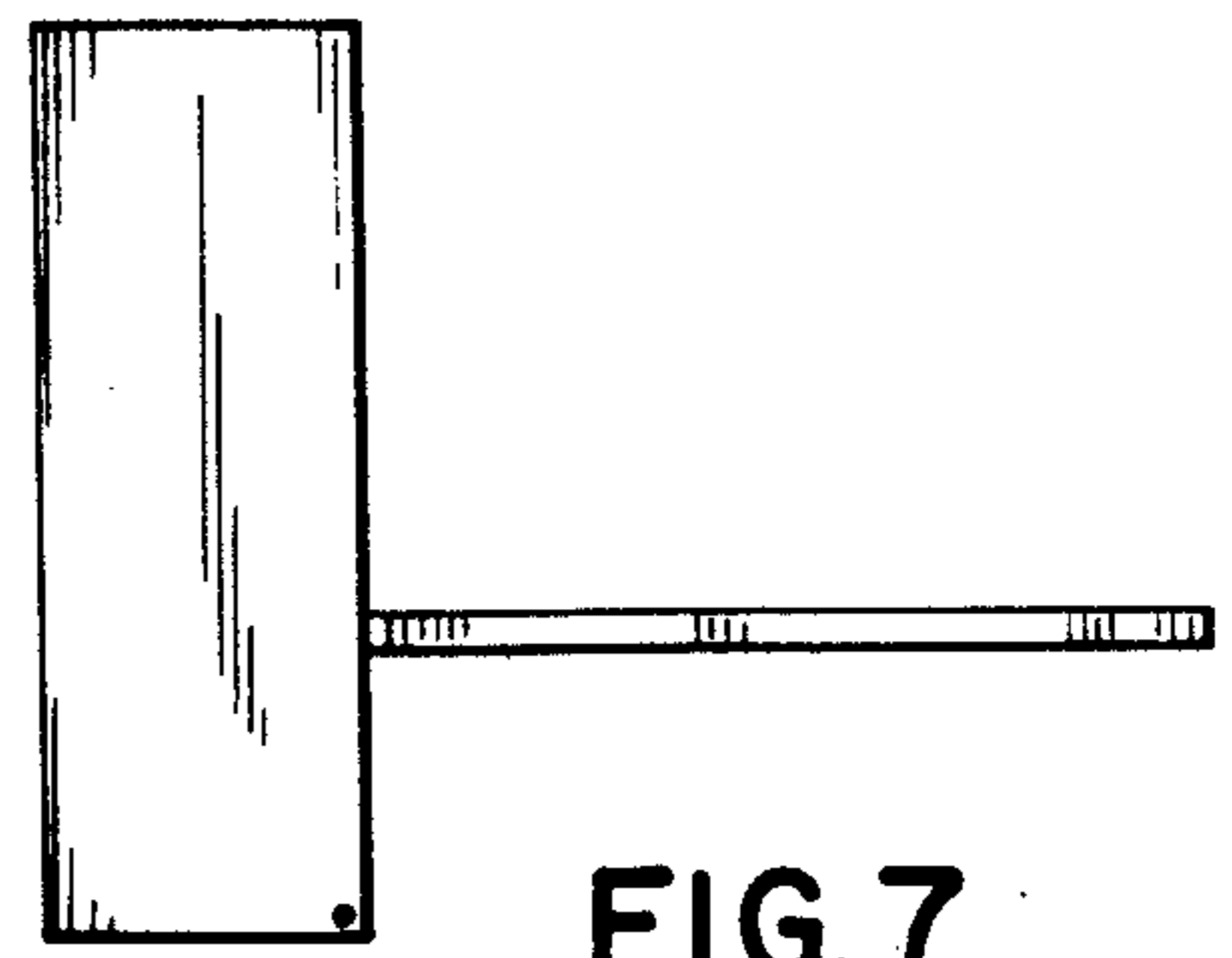
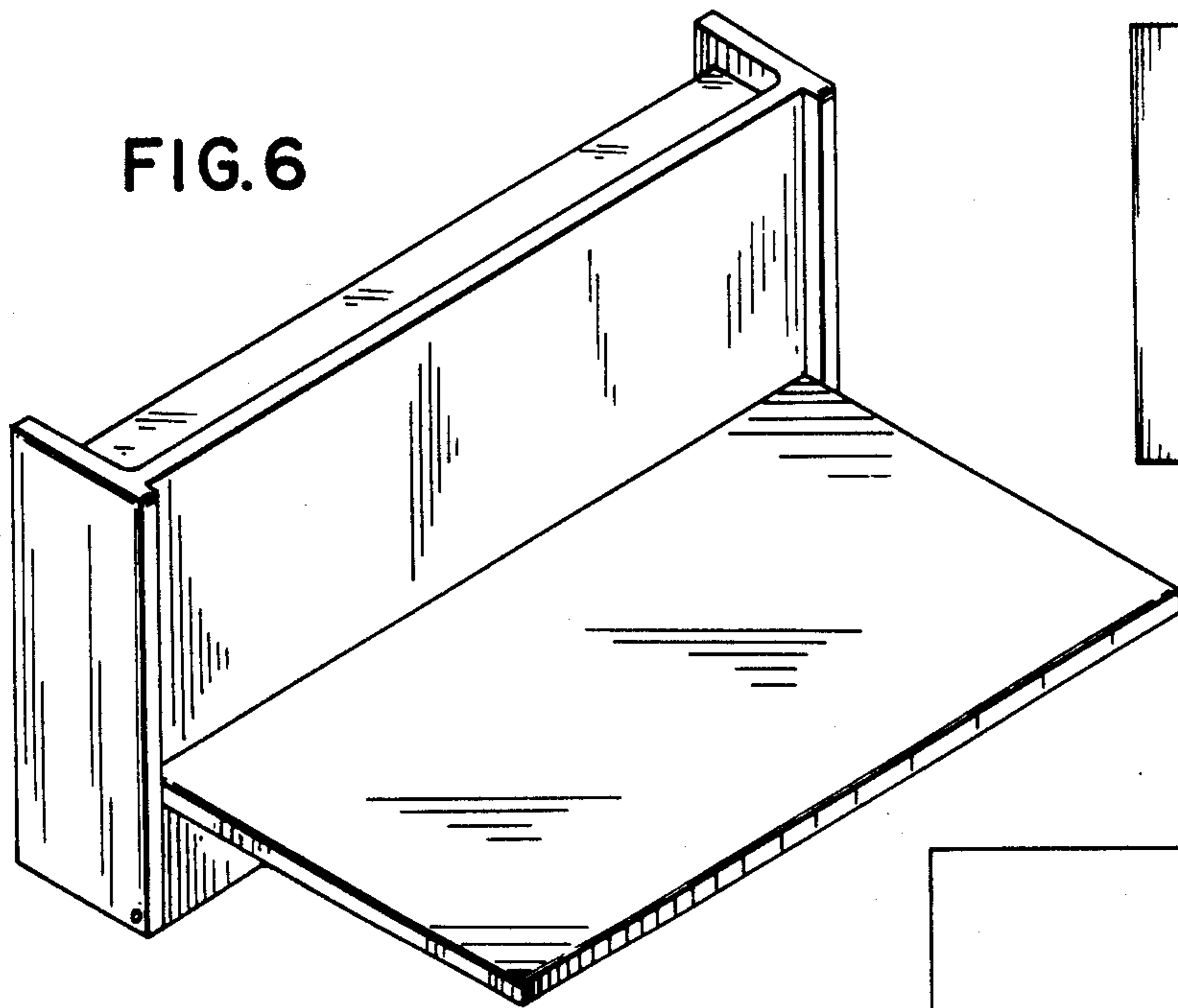


FIG. 12