

[54] DIGITAL CLOCK

[75] Inventor: Nick Talesfore, Santa Clara, Calif.

[73] Assignee: Fairchild Camera and Instrument Corp., Mountain View, Calif.

[\*\*] Term: 14 Years

[21] Appl. No.: 835,836

[22] Filed: Sep. 22, 1977

[51] Int. Cl. .... D10-01

[52] U.S. Cl. .... D10/15

[58] Field of Search ..... D10/1, 2, 15, 21, 24-27, D10/46, 78; D14/71-73, 75; 58/152, 50 R, 23 R

[56] References Cited

U.S. PATENT DOCUMENTS

D. 241,771 10/1976 Yamamura ..... D10/15 X

OTHER PUBLICATIONS

*Home Furnishing Daily*—7/14/75—Sec. 2—p. 40—Digital Clock at bottom-center.

*European Jeweler*—9/73—p. 136—Digital Clock at top.

*Primary Examiner*—Nelson C. Holtje

*Attorney, Agent, or Firm*—Alan H. MacPherson

[57] CLAIM

The ornamental design for a digital clock, substantially as shown and described.

DESCRIPTION

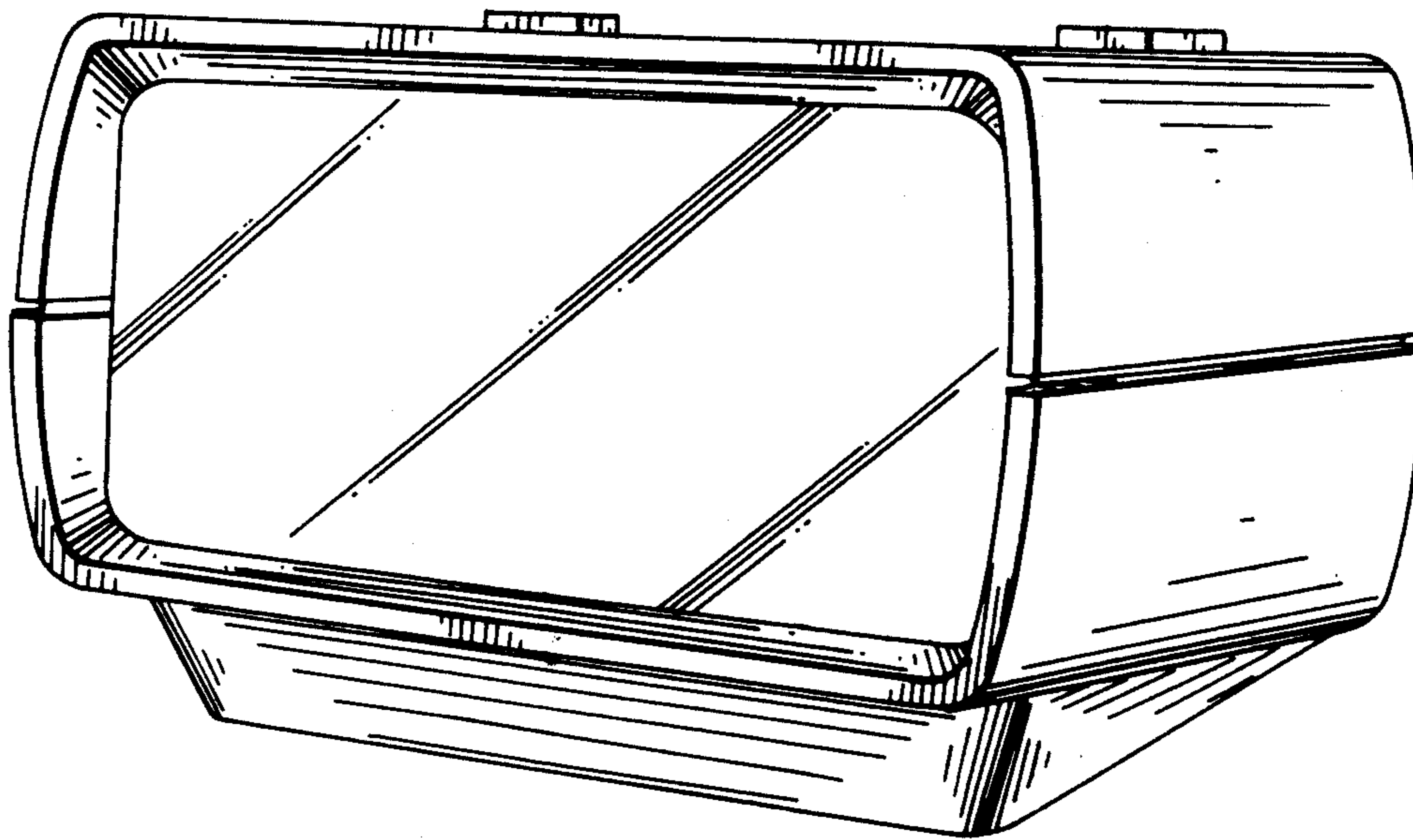
FIG. 1 is a right front perspective view of a digital clock showing my new design;

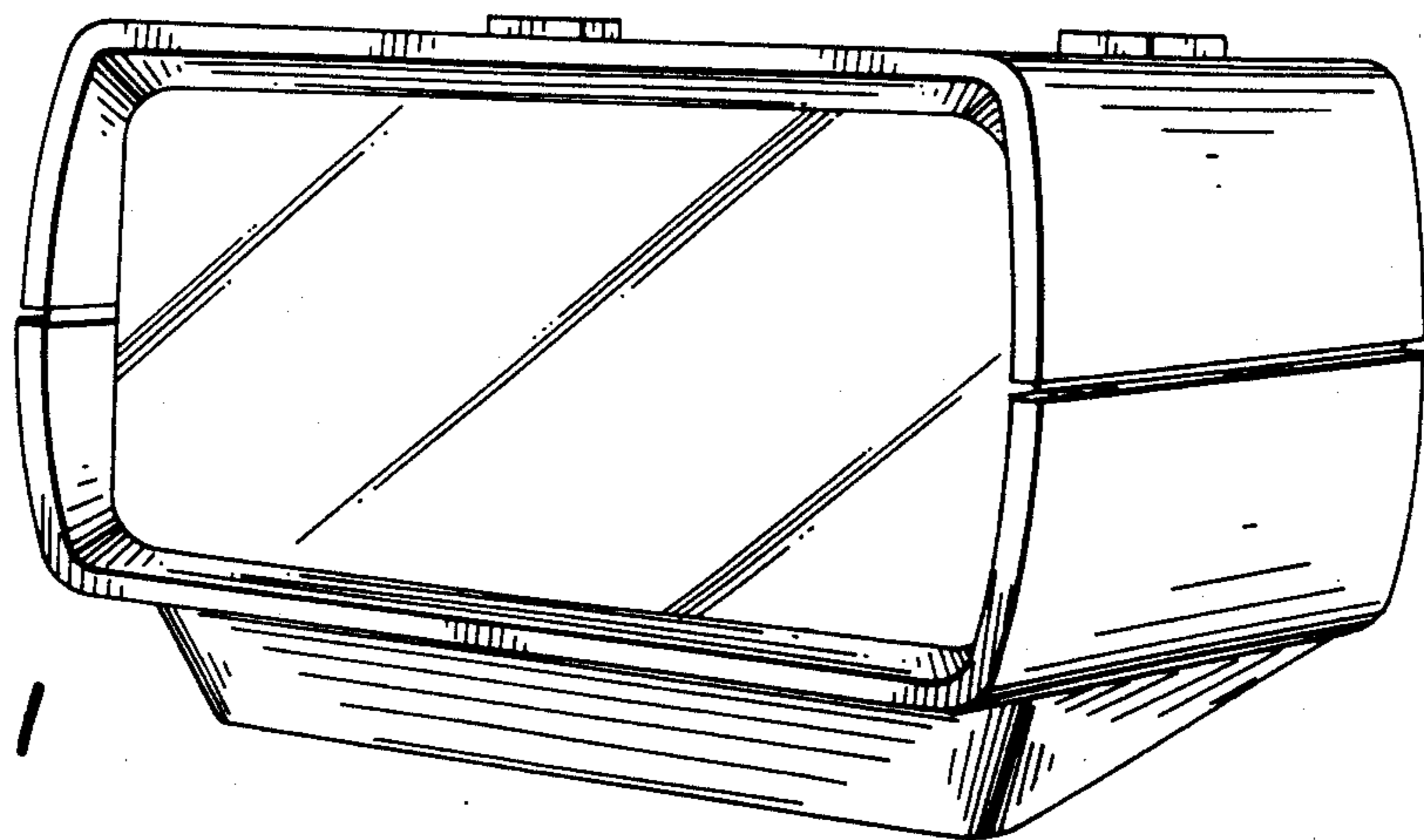
FIG. 2 is a left rear perspective view thereof;

FIG. 3 is a right side elevational view thereof;

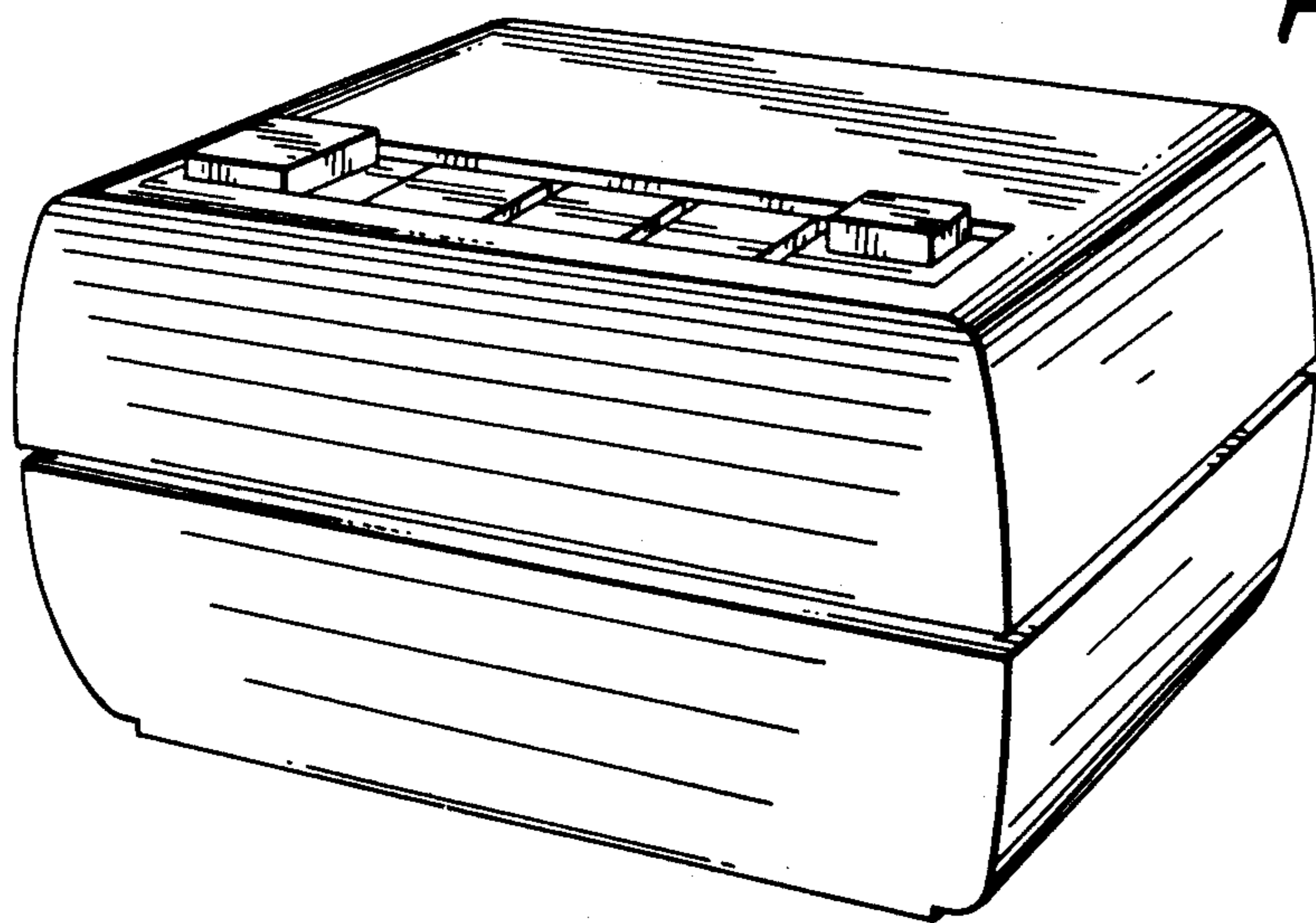
FIG. 4 is a top plan view thereof;

FIG. 5 is a bottom plan view thereof.

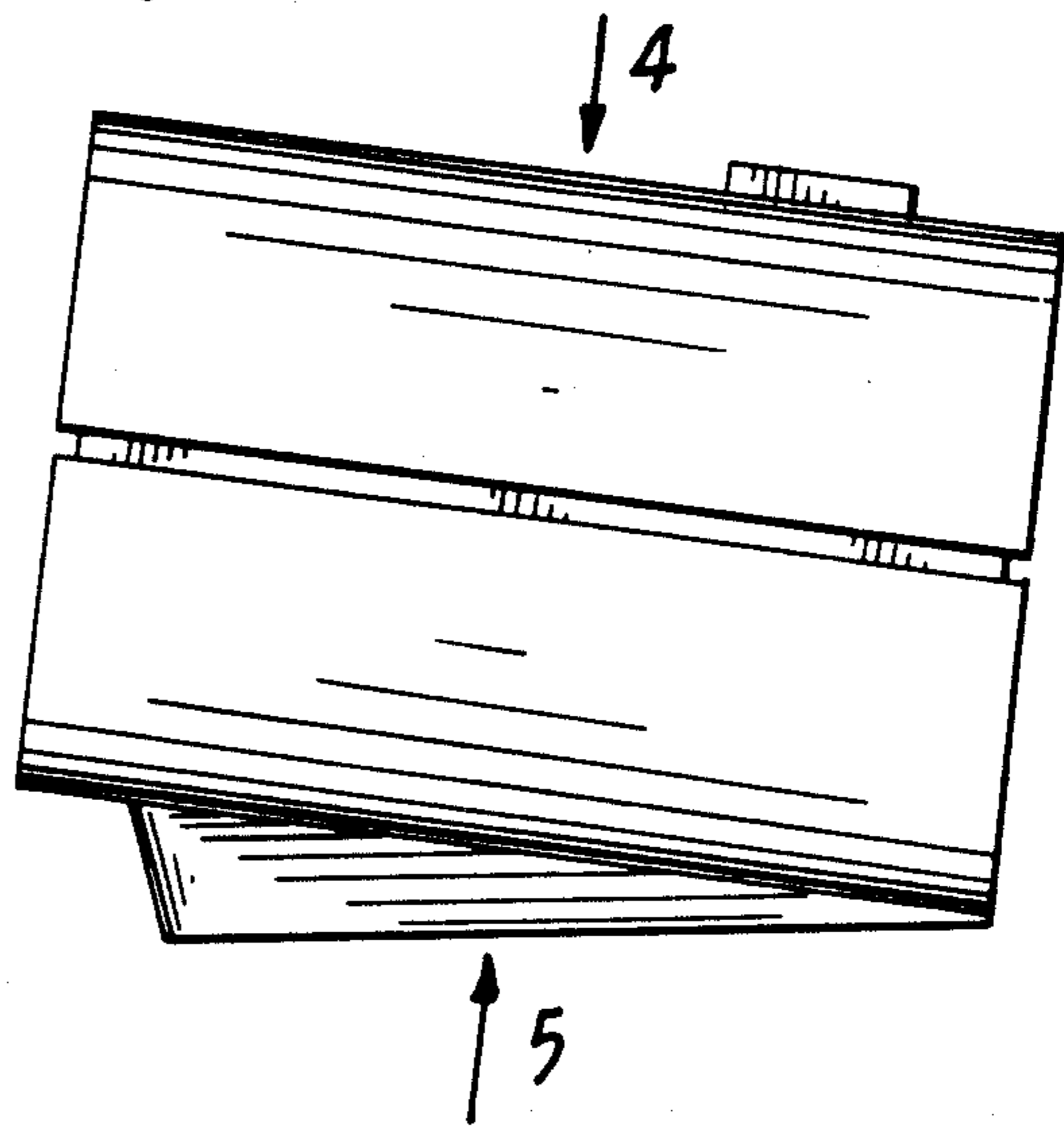




**FIG. 1**

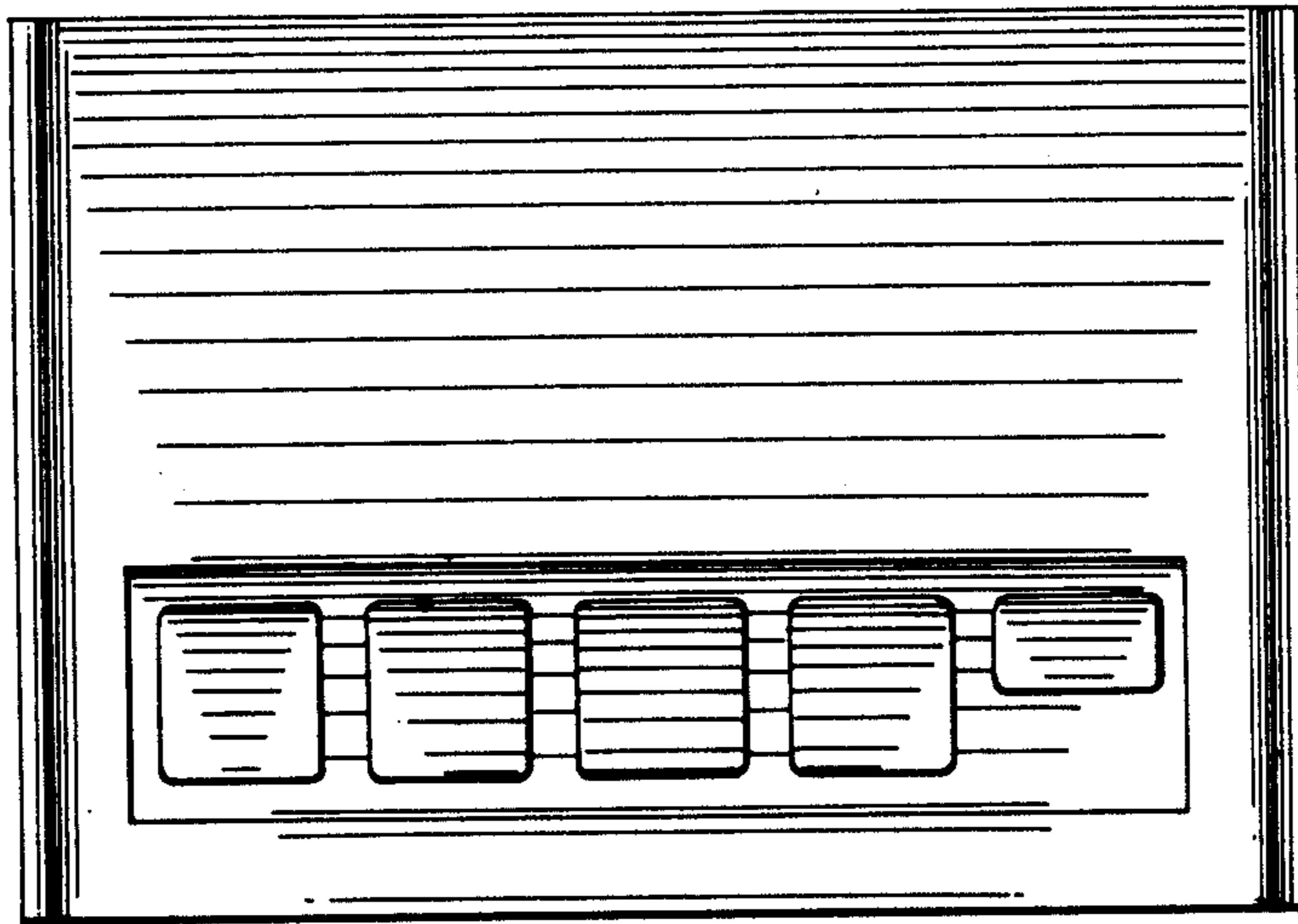


**FIG. 2**



**FIG. 3**

**FIG. 4**



**FIG. 5**

