

[54] COMBINED COMPASS AND DIGITAL CLOCK

[76] Inventor: John J. Marmorale, 10811 Dorothy Ave., Garden Grove, Calif. 92643

[**] Term: 14 Years

[21] Appl. No.: 846,885

[22] Filed: Oct. 31, 1977

[51] Int. Cl. D10-04

[52] U.S. Cl. D10/2; D10/68

[58] Field of Search D10/68, 46, 75, 77, D10/78, 102, 103, 49-56, 60, 80, 81, 85; 33/355, 366; 58/152 C, 152 R

[56] References Cited

U.S. PATENT DOCUMENTS

D. 236,092 7/1975 Macowski D10/68
3,681,052 1/1975 Siegfried 33/366

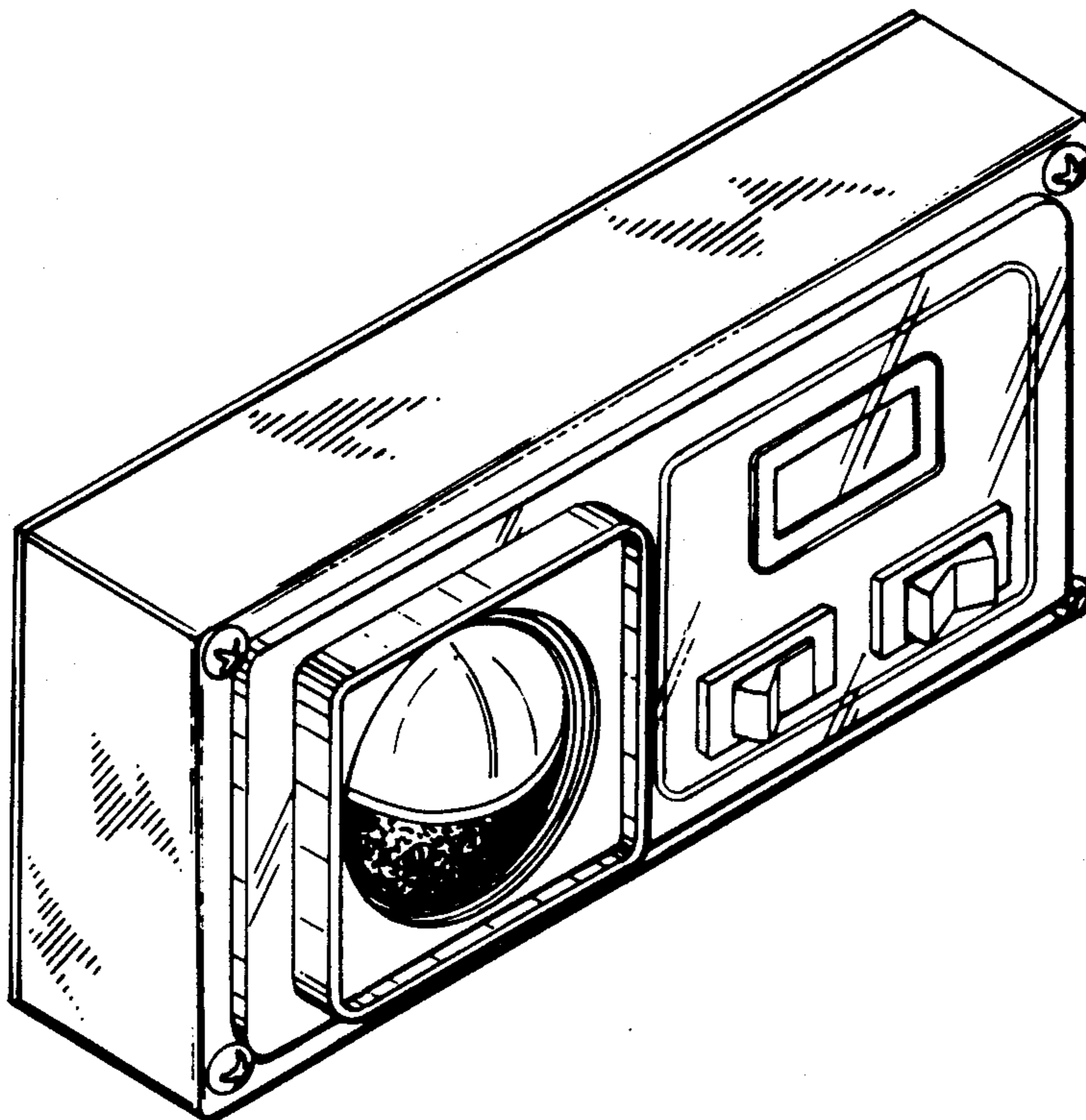
Primary Examiner—Nelson C. Holtje
Attorney, Agent, or Firm—Grover A. Frater

[57] CLAIM

The ornamental design for a combined compass and digital clock, as shown.

DESCRIPTION

FIG. 1 is a left front perspective view of a combined compass and digital clock showing my new design;
FIG. 2 is a top plan view thereof;
FIG. 3 is a left side elevational view thereof;
FIG. 4 is a front elevational view thereof;
FIG. 5 is a bottom plan view thereof;
FIG. 6 is a right side elevational view thereof;
FIG. 7 is a rear elevational view thereof.



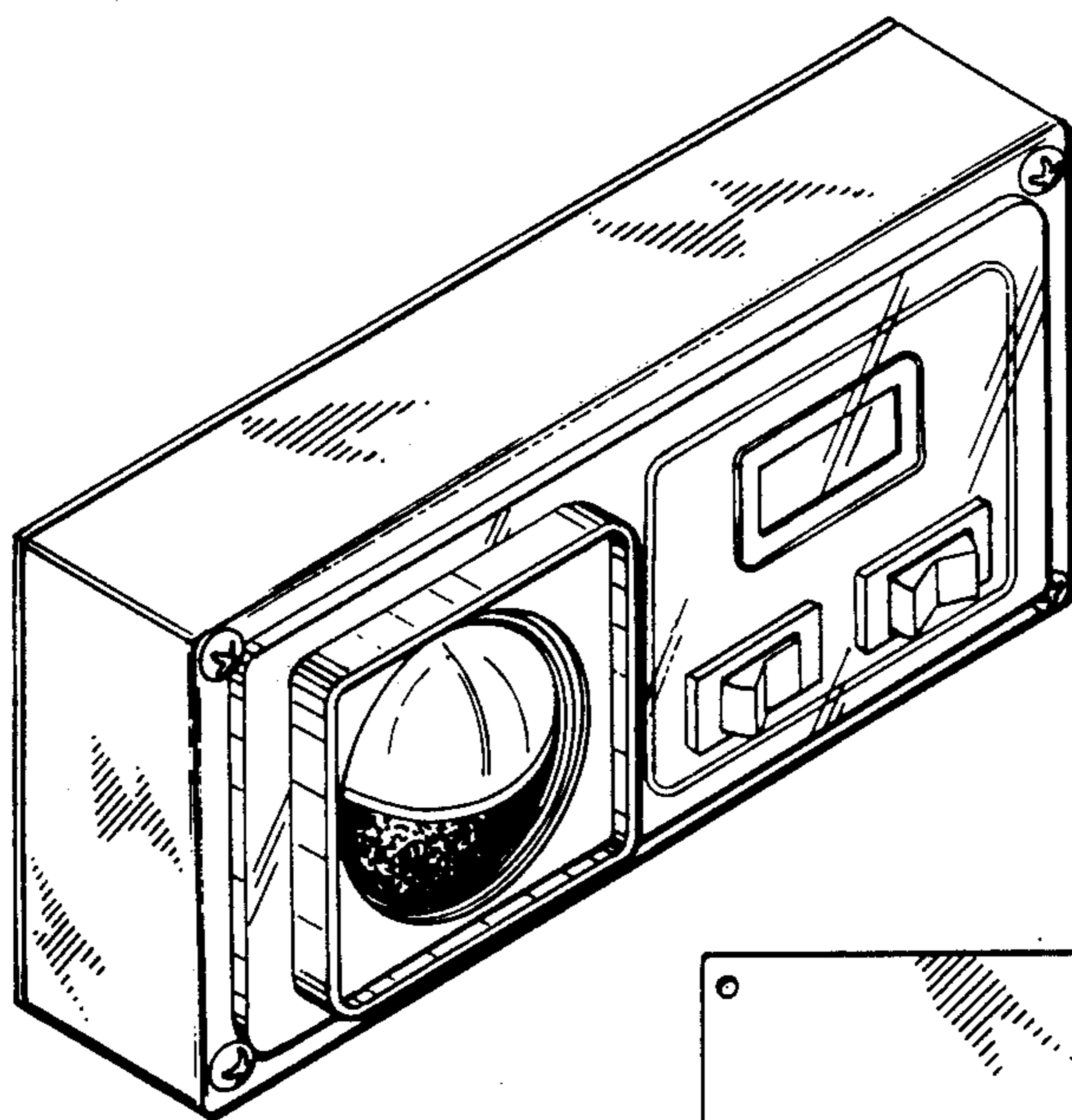


FIG. 1

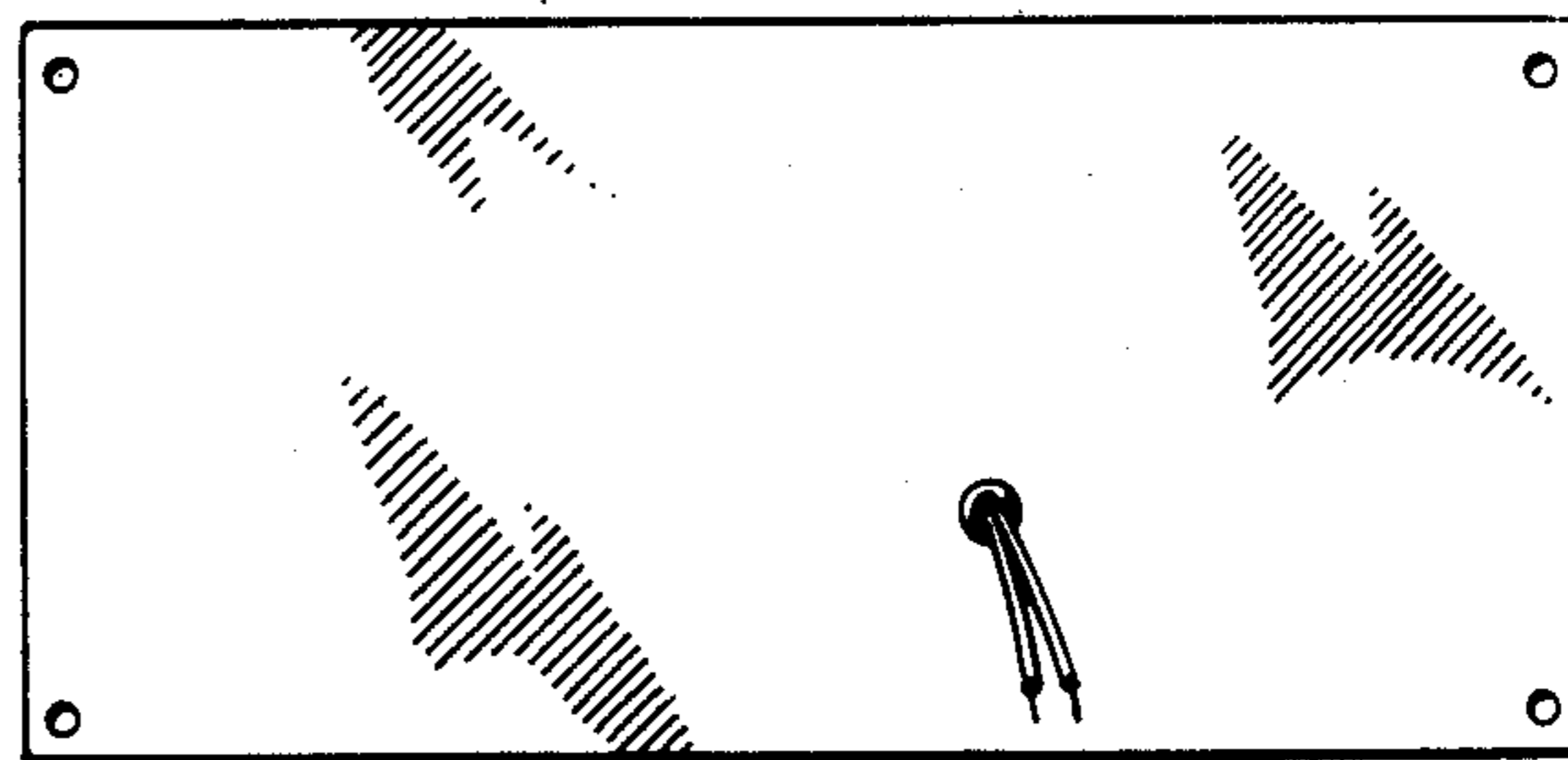


FIG. 7

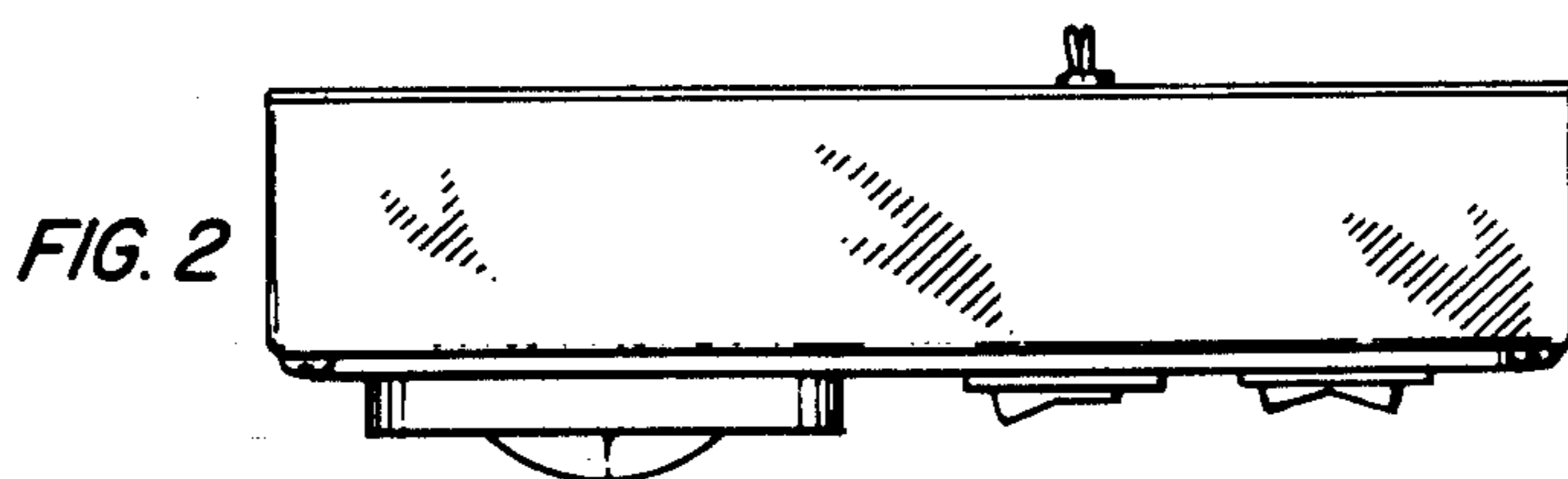


FIG. 2

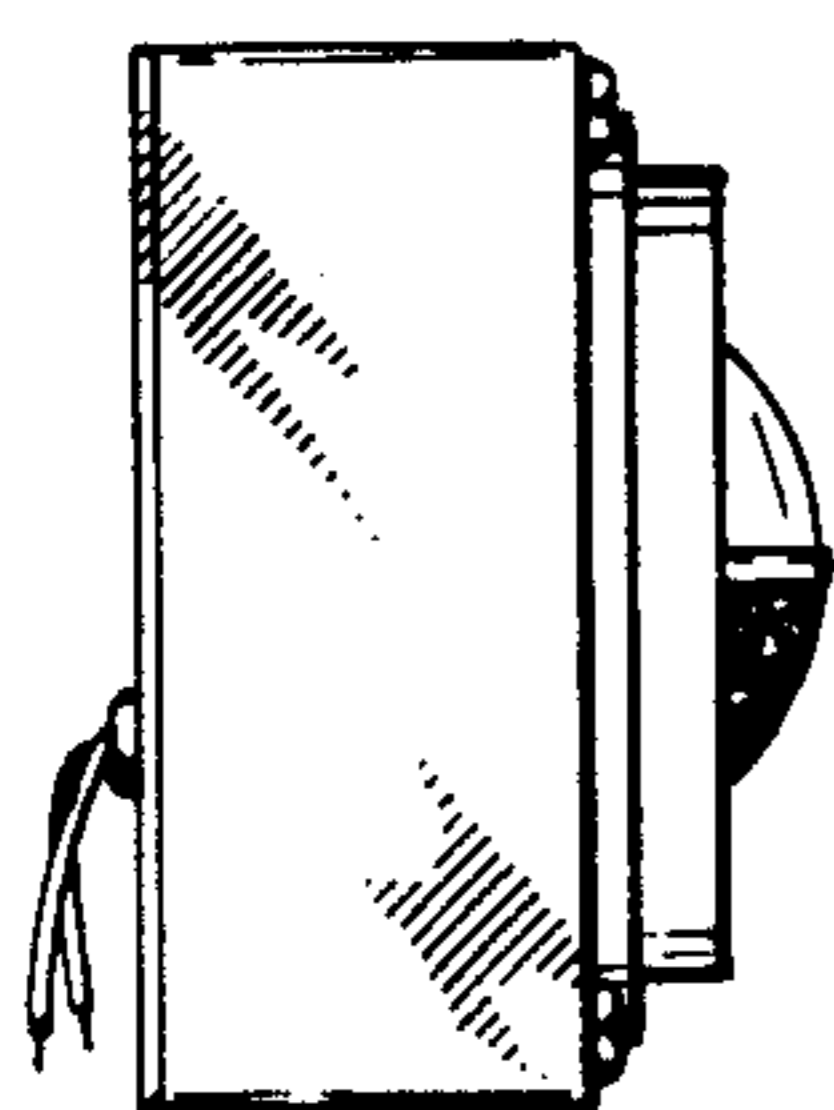


FIG. 3

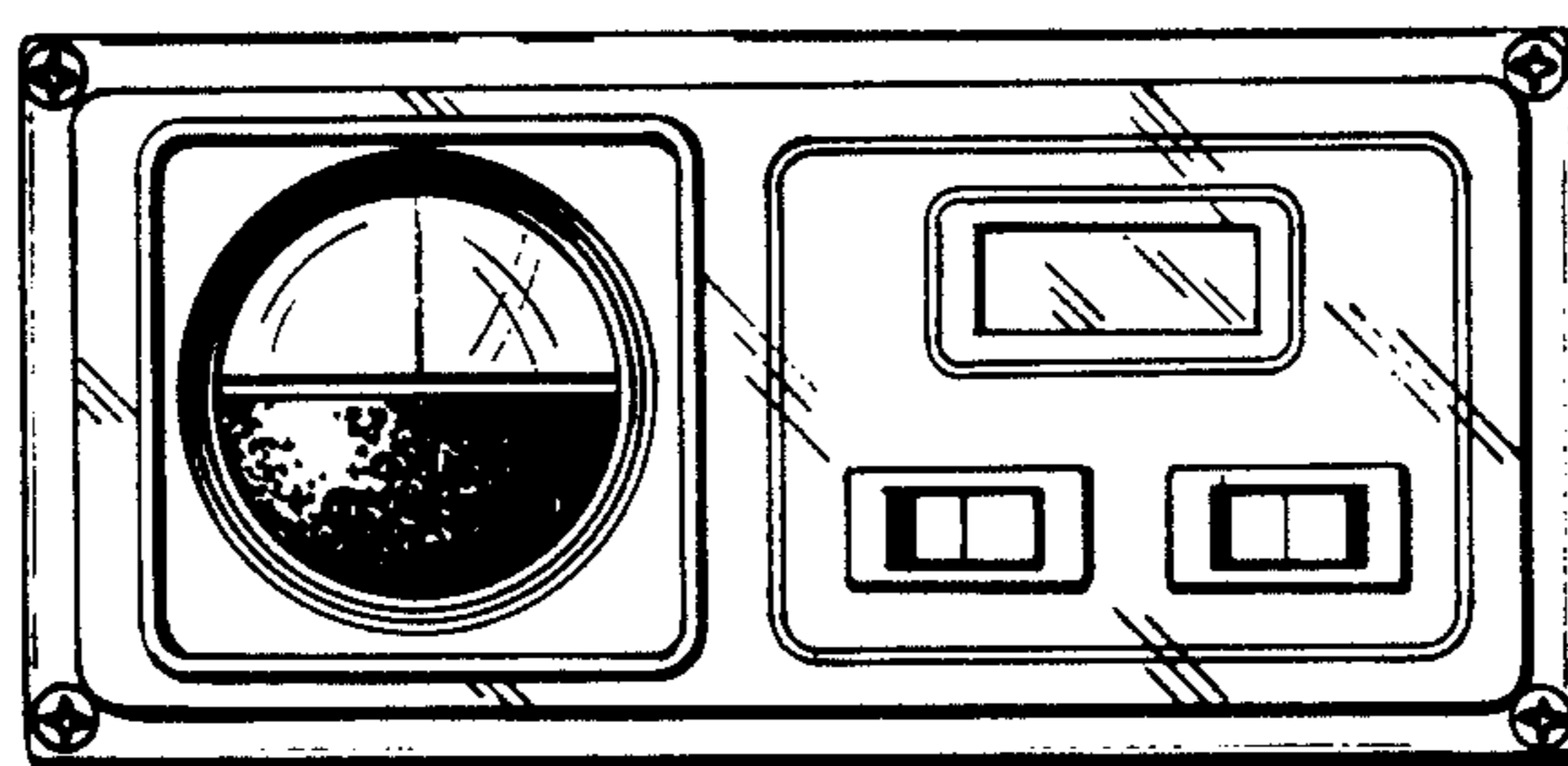


FIG. 4

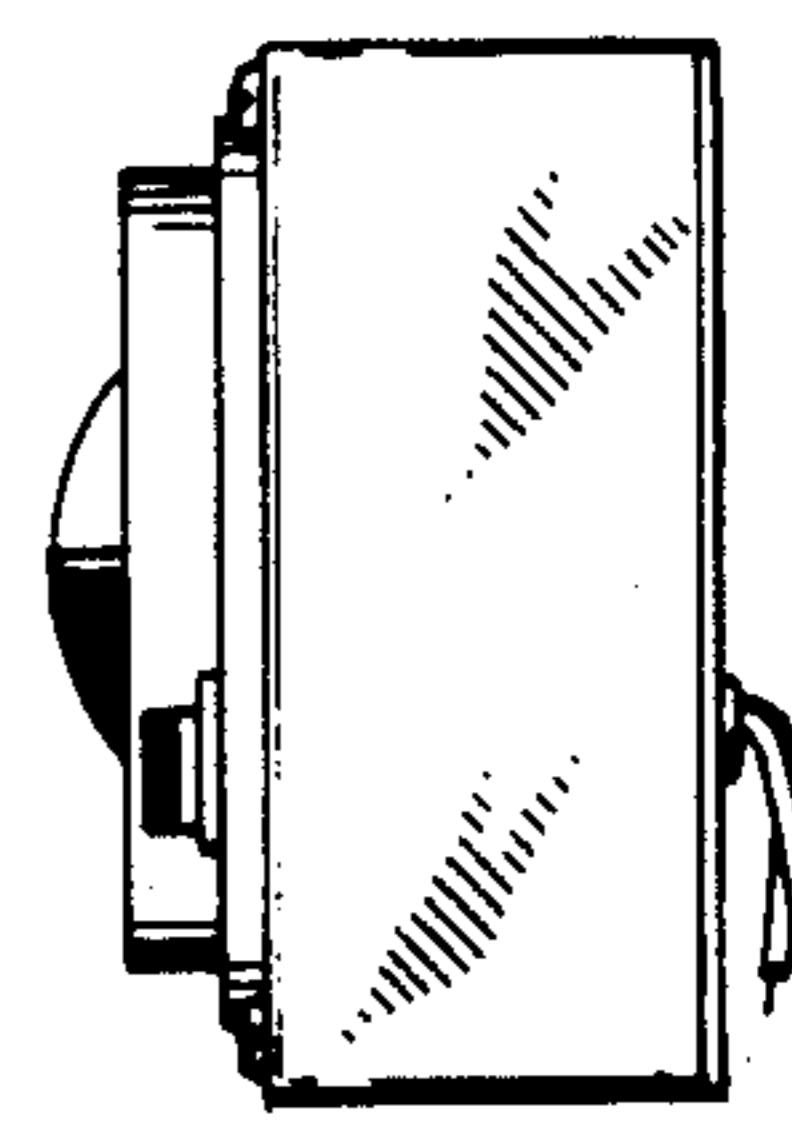


FIG. 6

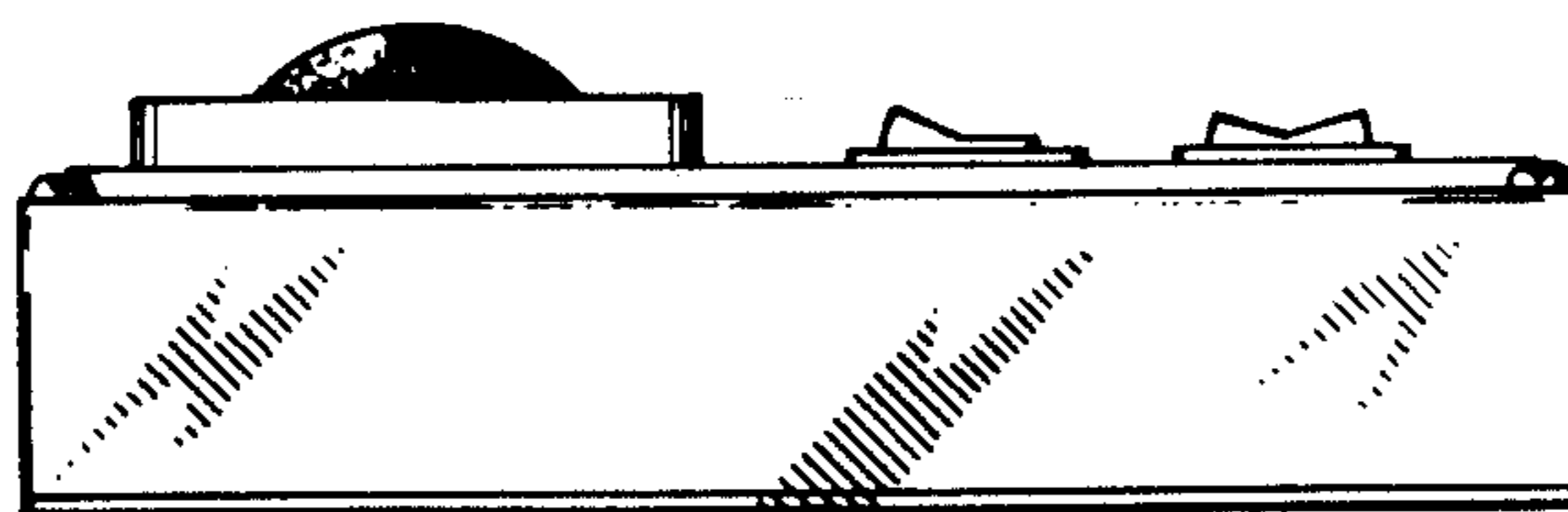


FIG. 5