

[54] STOPPER

[75] Inventor: Edward J. Kretz, Toledo, Ohio

[73] Assignee: Owens-Illinois, Inc., Toledo, Ohio

[**] Term: 14 Years

[21] Appl. No.: 902,020

[22] Filed: May 1, 1978

[51] Int. Cl. D09-99

[52] U.S. Cl. D9/284

[58] Field of Search D9/253, 254, 284, 285, D9/286, 287; D7/52, 58, 6, 9-11, 13-21, 23, 28; D8/300, 307, 310, 312; 215/355

[56] References Cited

U.S. PATENT DOCUMENTS

D. 199,275	9/1964	DuPree	D9/287
773,435	10/1904	Swindell	215/355

OTHER PUBLICATIONS

Owens-Illinois Glass Co., 1931, p. CH 39, Stopper #336.

Primary Examiner—Louis S. Zarfes

Assistant Examiner—Carmen H. Vales

Attorney, Agent, or Firm—D. T. Innis; M. E. Click; D. H. Wilson

[57] CLAIM

The ornamental design for a stopper, substantially as shown and described.

DESCRIPTION

FIG. 1 is a front elevational view of a stopper showing my new design, the opposite side being a mirror image thereof;

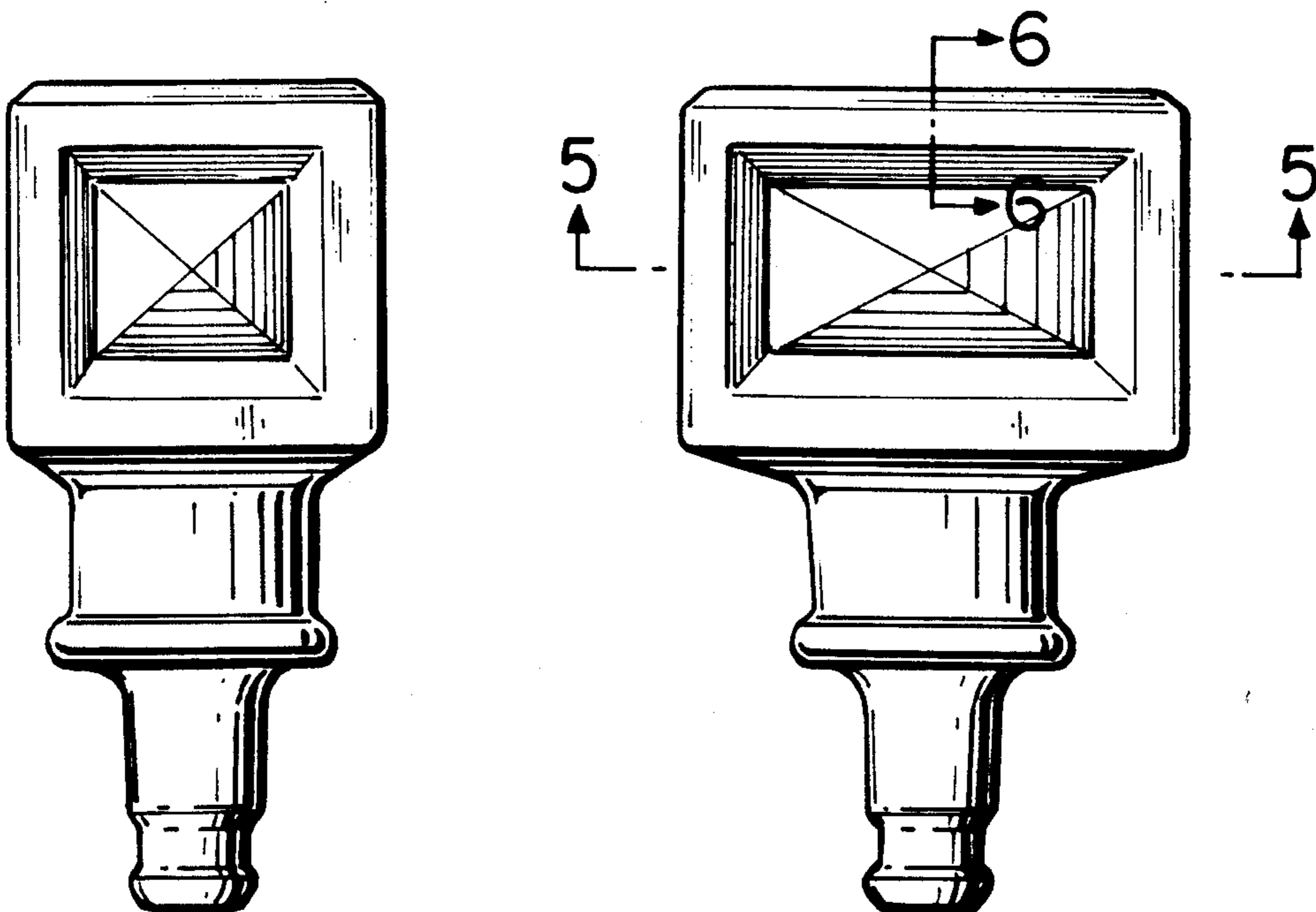
FIG. 2 is a side elevational view, the opposite side being a mirror image thereof;

FIG. 3 is a top plan view thereof;

FIG. 4 is a bottom plan view thereof;

FIG. 5 is a sectional view taken along line 5—5 of FIG. 1; and

FIG. 6 is a fragmentary sectional view taken along line 6—6 of FIG. 1.



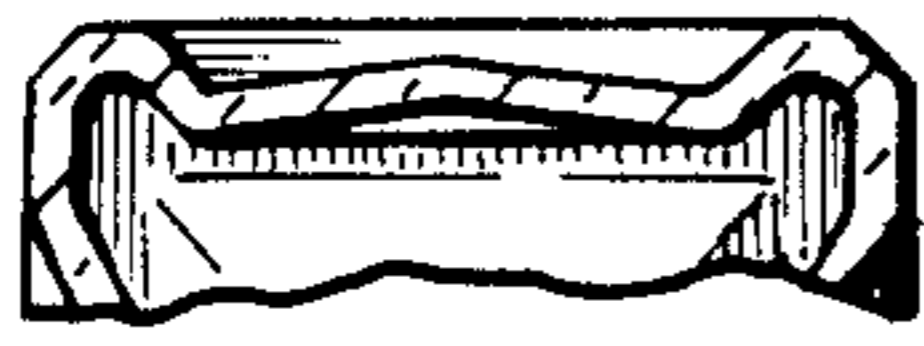


FIG. 6

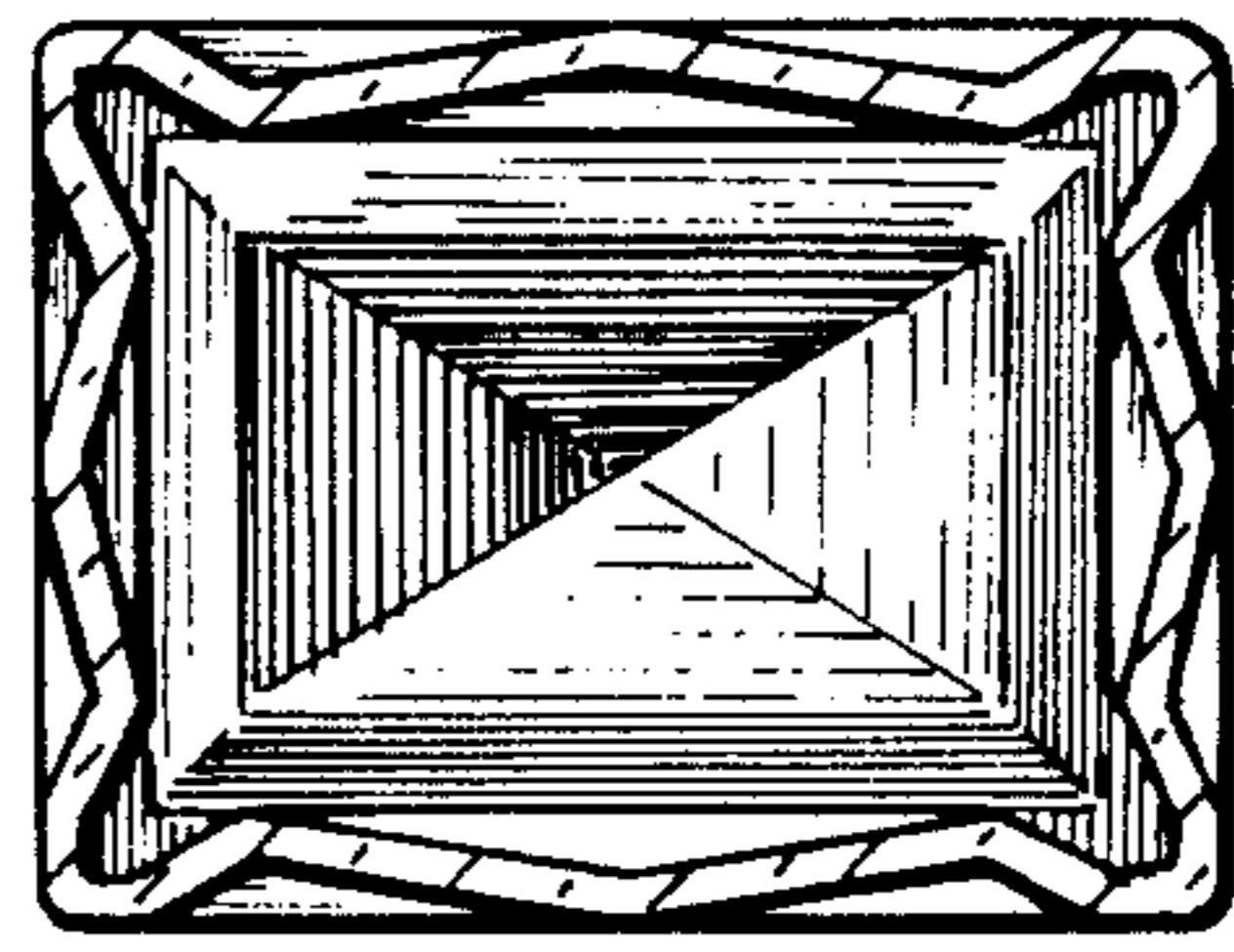


FIG. 5

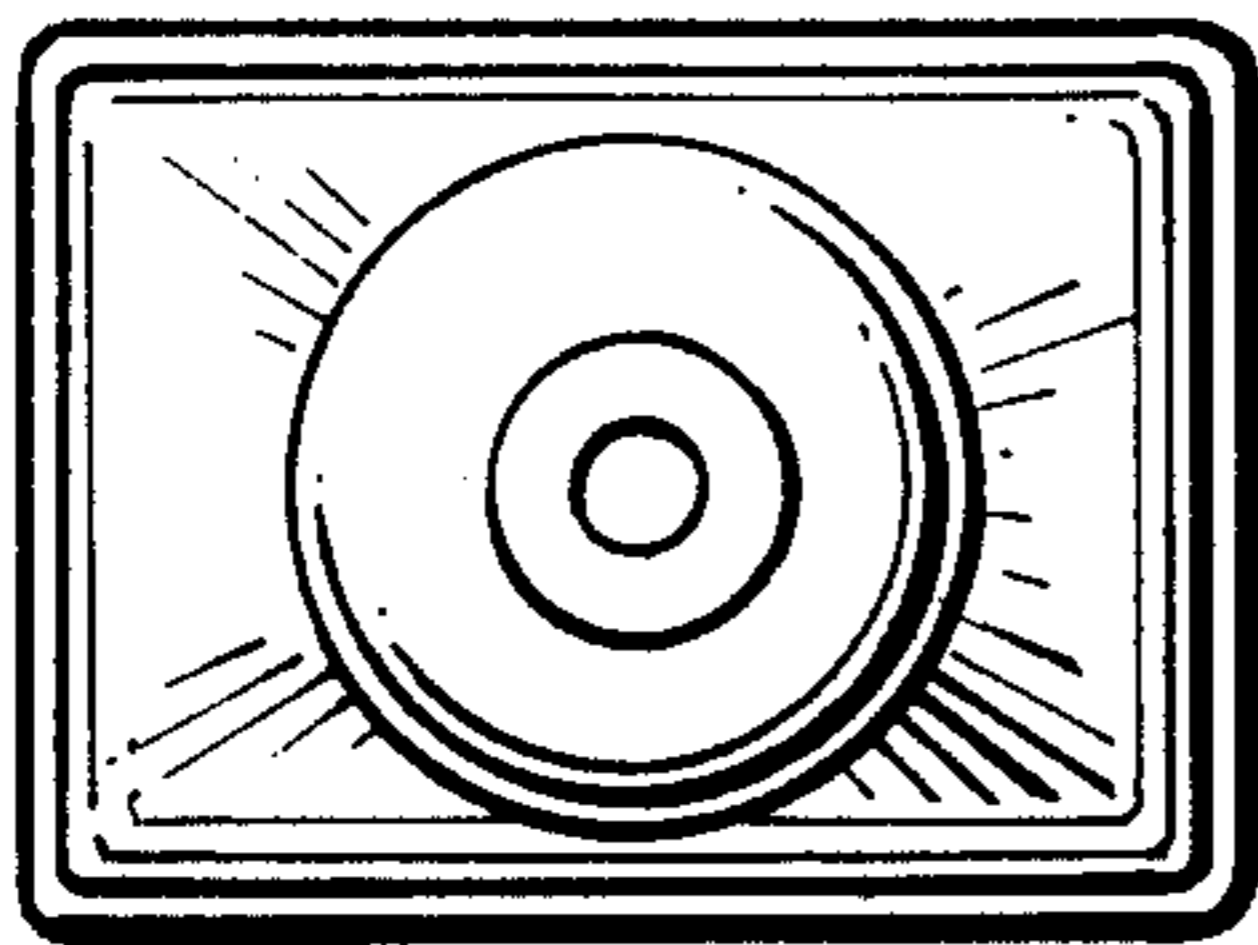


FIG. 4

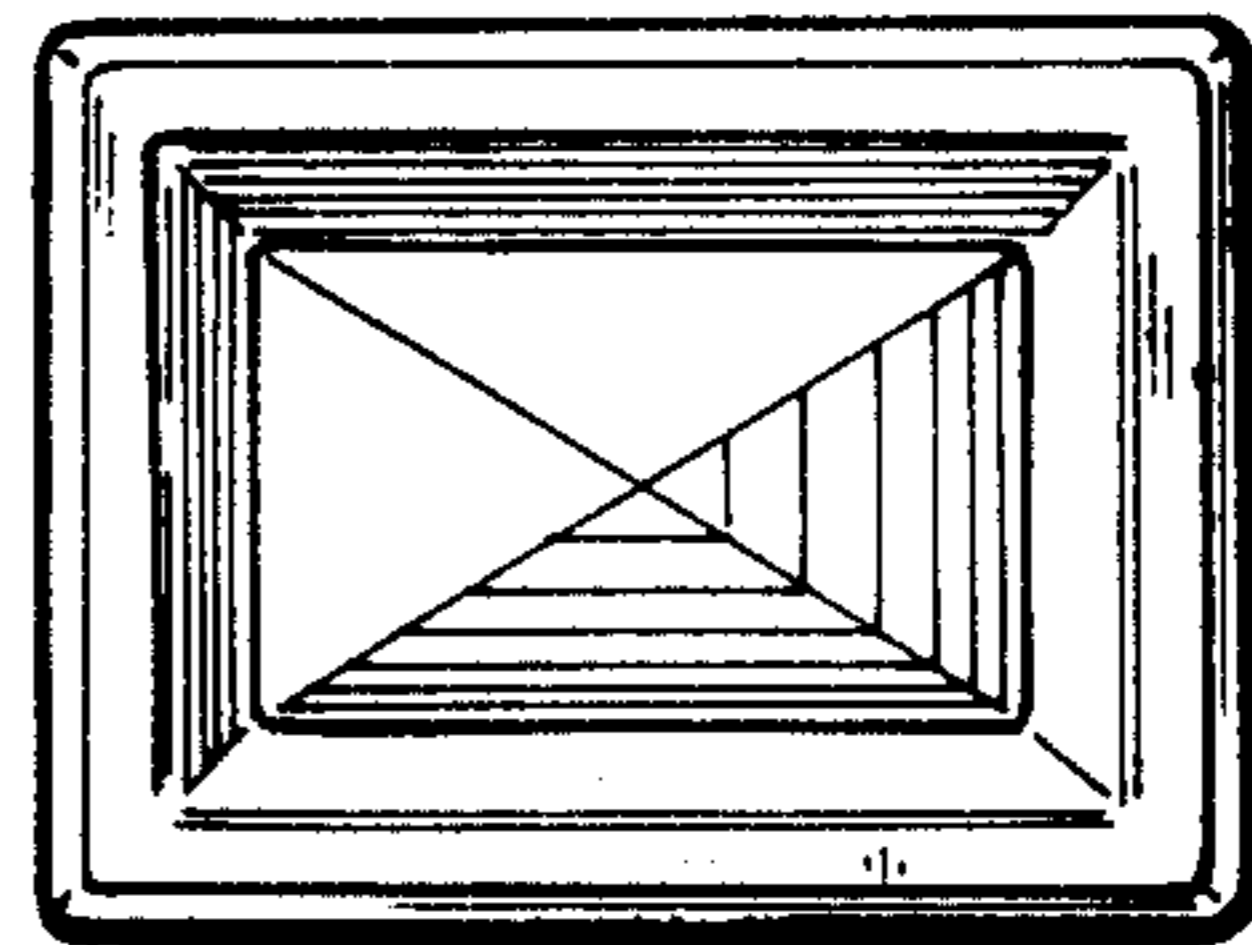


FIG. 3

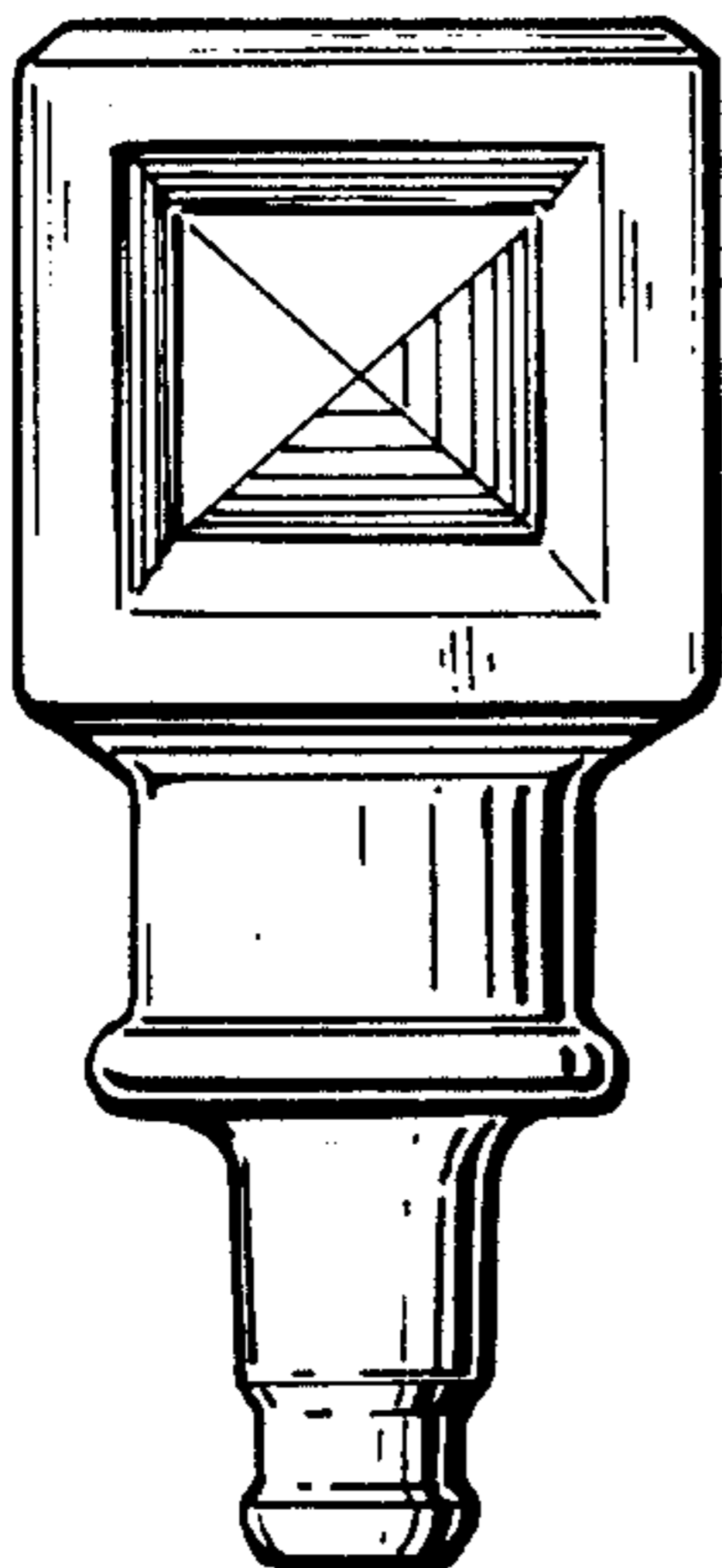


FIG. 2

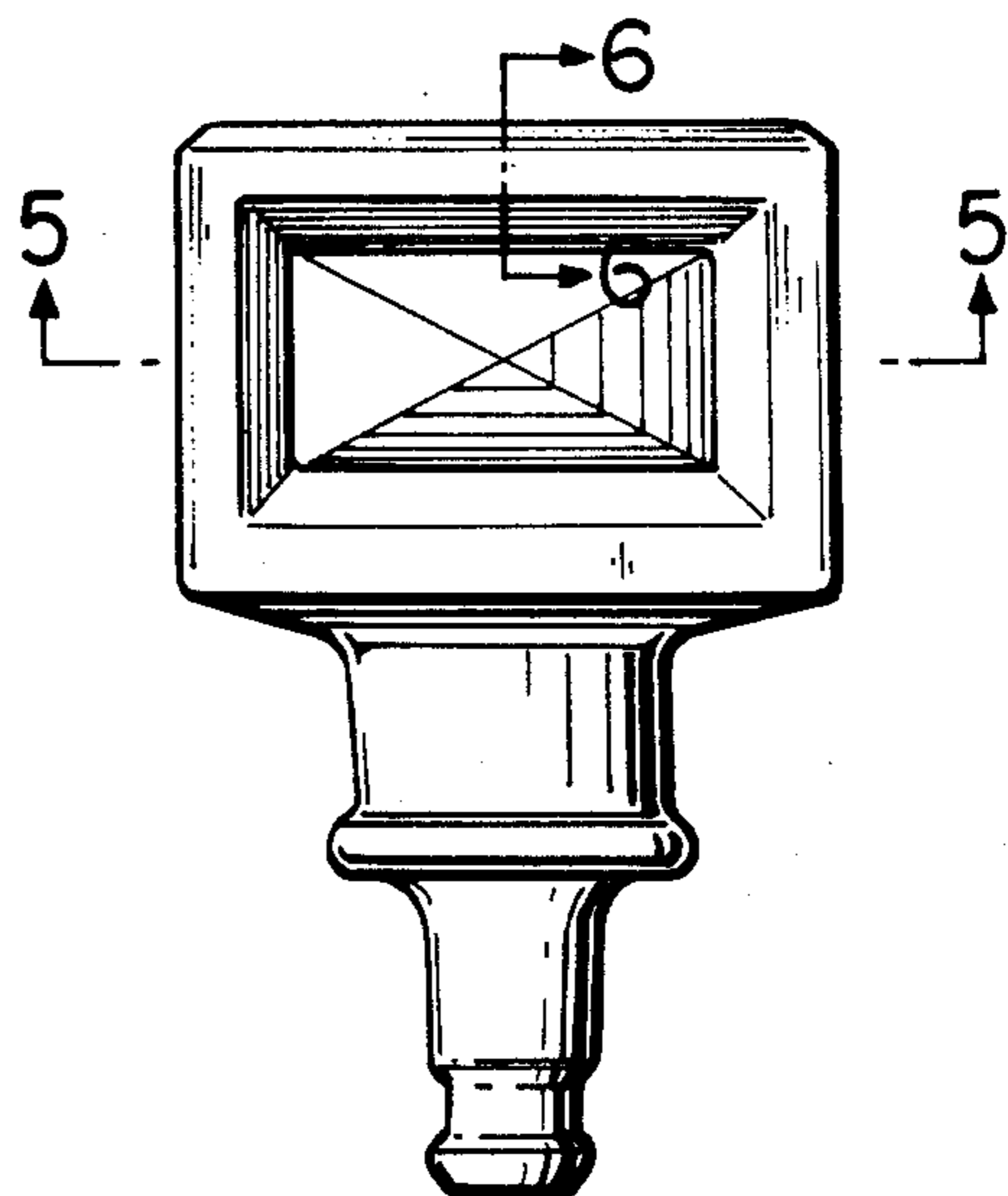


FIG. 1