

[54] END CLOSURE FOR A CONTAINER

[75] Inventor: **Jess N. Bathurst**, Hayward, Calif.

[73] Assignee: **Kaiser Aluminum & Chemical Corporation**, Oakland, Calif.

[\*\*] Term: **14 Years**

[21] Appl. No.: **839,944**

[22] Filed: **Oct. 6, 1977**

[51] Int. Cl. .... **D09—99**

[52] U.S. Cl. .... **D9/253**

[58] Field of Search ..... **D9/253, 254, 255, 256;**  
**113/121 C; 220/268, 271, 273**

[56] **References Cited**

**U.S. PATENT DOCUMENTS**

3,334,775	8/1967	Klein et al. ....	220/268
3,361,291	1/1968	Fraze .....	220/273
3,480,175	11/1969	Khoury .....	220/273

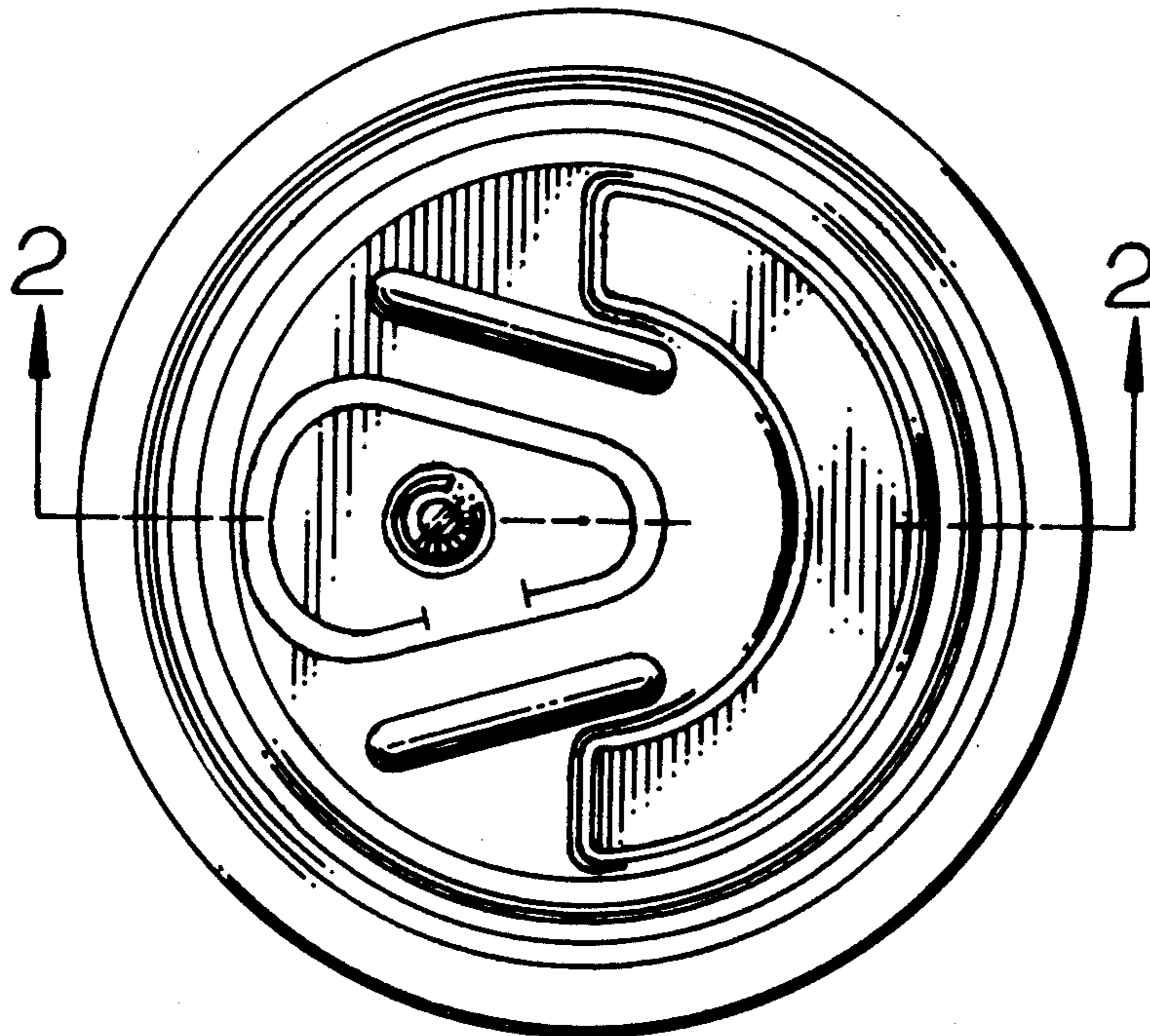
*Primary Examiner*—Louis S. Zarfes  
*Assistant Examiner*—Carmen H. Vales  
*Attorney, Agent, or Firm*—Paul E. Calrow; John S. Rhoades

[57] **CLAIM**

The ornamental design for an end closure for a container, substantially as shown and described.

**DESCRIPTION**

FIG. 1 is a top plan view of an end closure for a container showing my new design; and FIG. 2 is a cross-sectional view taken along the line 2—2 of FIG. 1.



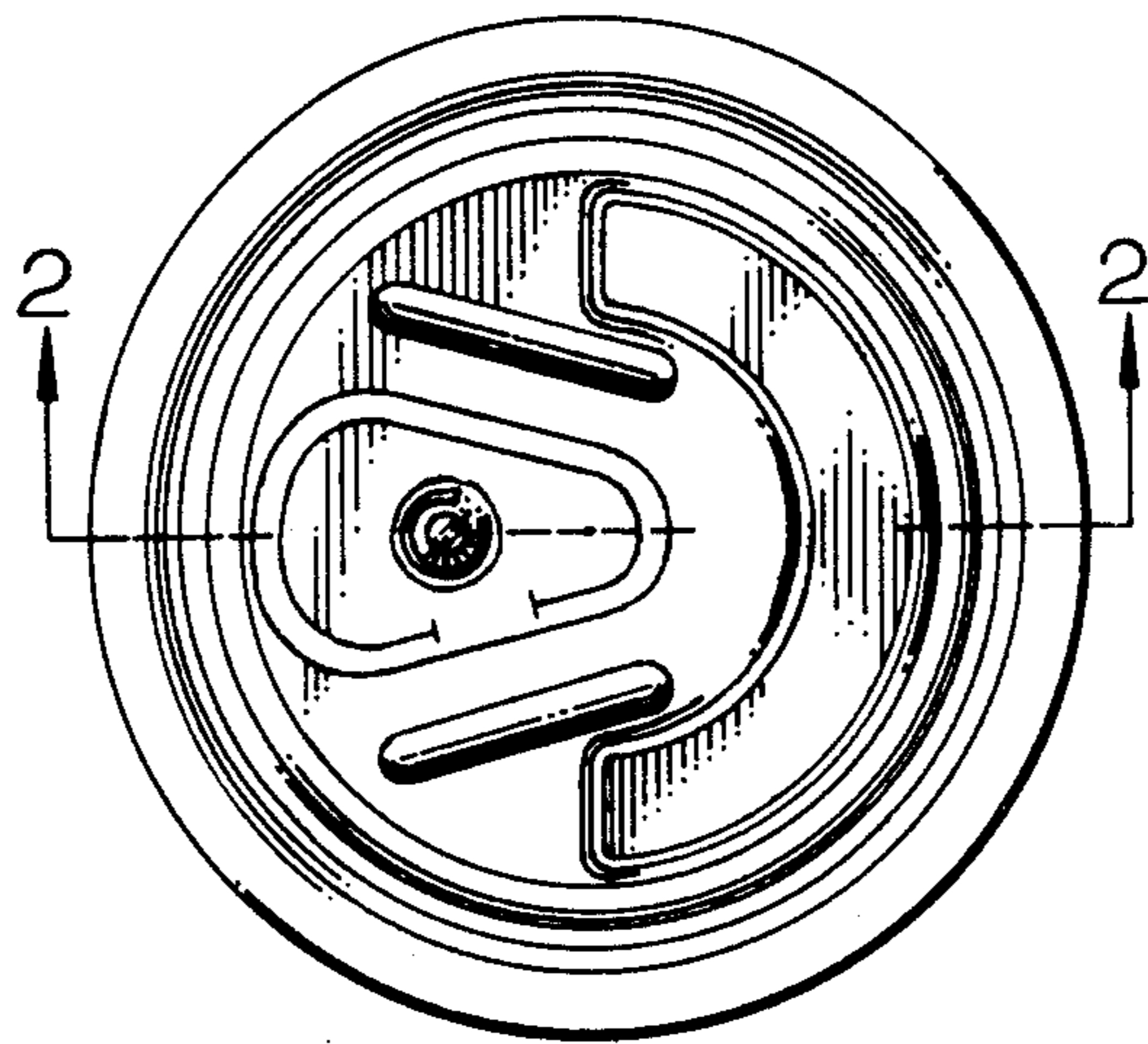


FIG-1

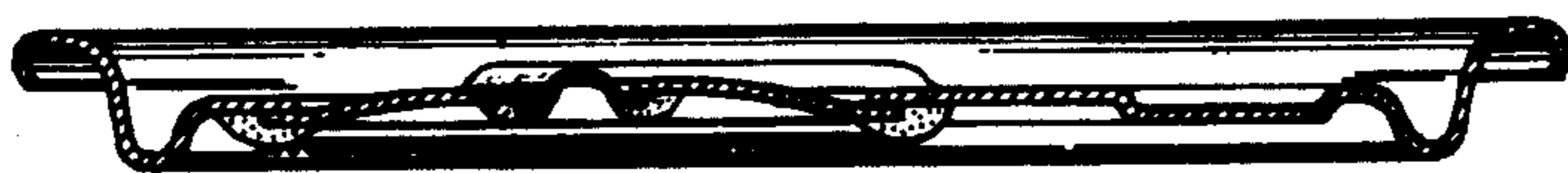


FIG-2