

[54] PAINTER'S GUARD

4,085,703 4/1978 Glowacki ..... D8/14

[76] Inventor: Thomas G. Sheluga, 2 Fountain Dr., Somerset, N.J. 08873

Primary Examiner—W. Stallard  
Attorney, Agent, or Firm—Arthur L. Lessler

[\*\*] Term: 14 Years

[57] CLAIM

[21] Appl. No.: 899,371

The ornamental design for a painter's guard, substantially as shown and described.

[22] Filed: Apr. 24, 1978

DESCRIPTION

[51] Int. Cl. .... D08—05

FIG. 1 is a perspective view showing my design;  
FIG. 2 is a front elevation view thereof, the rear elevation view being a mirror image of said front elevation view;

[52] U.S. Cl. .... D8/14; 118/504

[58] Field of Search ..... D8/14; 118/504

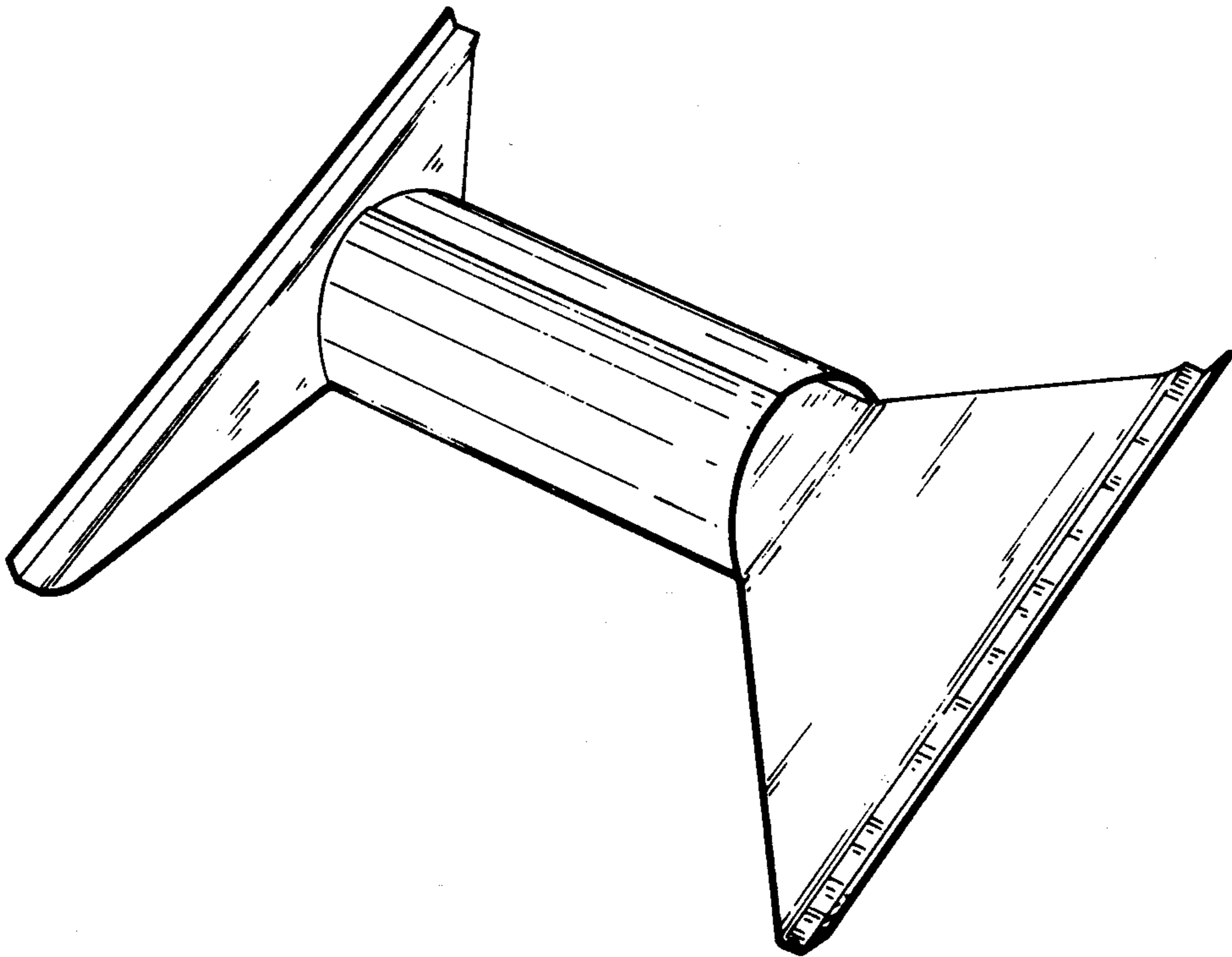
FIG. 3 is a right side elevation view thereof, the left side elevation view being a mirror image of said right side elevation view;

[56] References Cited

U.S. PATENT DOCUMENTS

- 1,386,706 8/1921 Hall ..... 118/504
- 4,051,808 10/1977 Trupp ..... 118/504

FIG. 4 is a top plan view thereof; and  
FIG. 5 is a bottom plan view thereof.



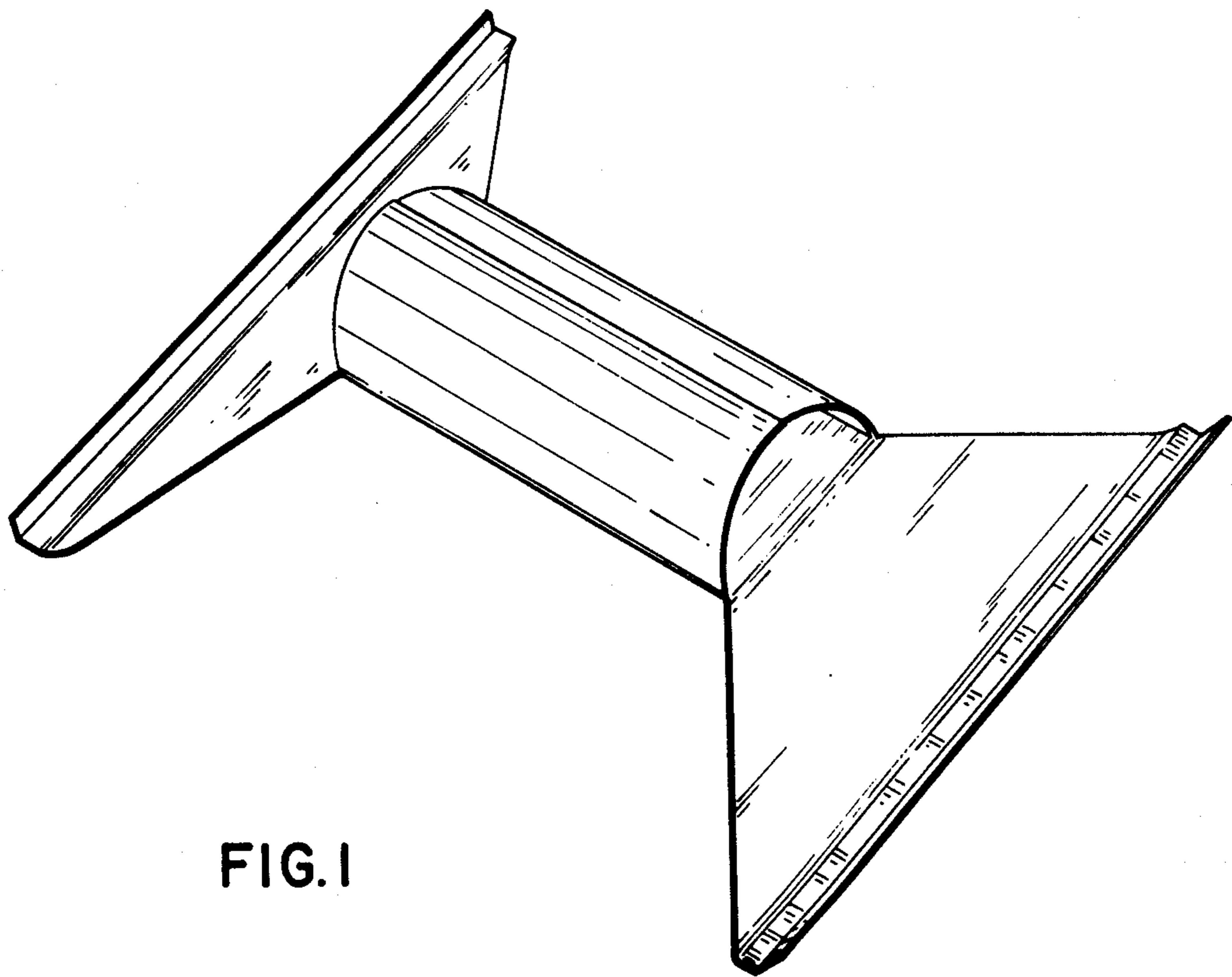


FIG. 1

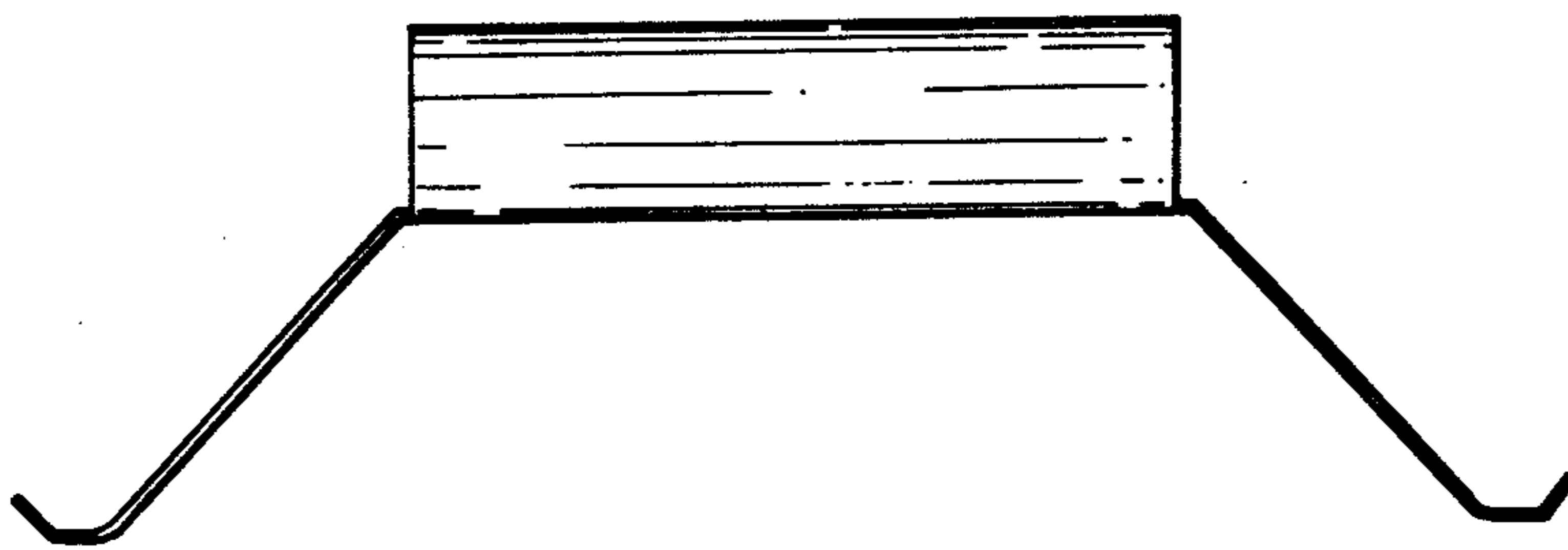


FIG. 2

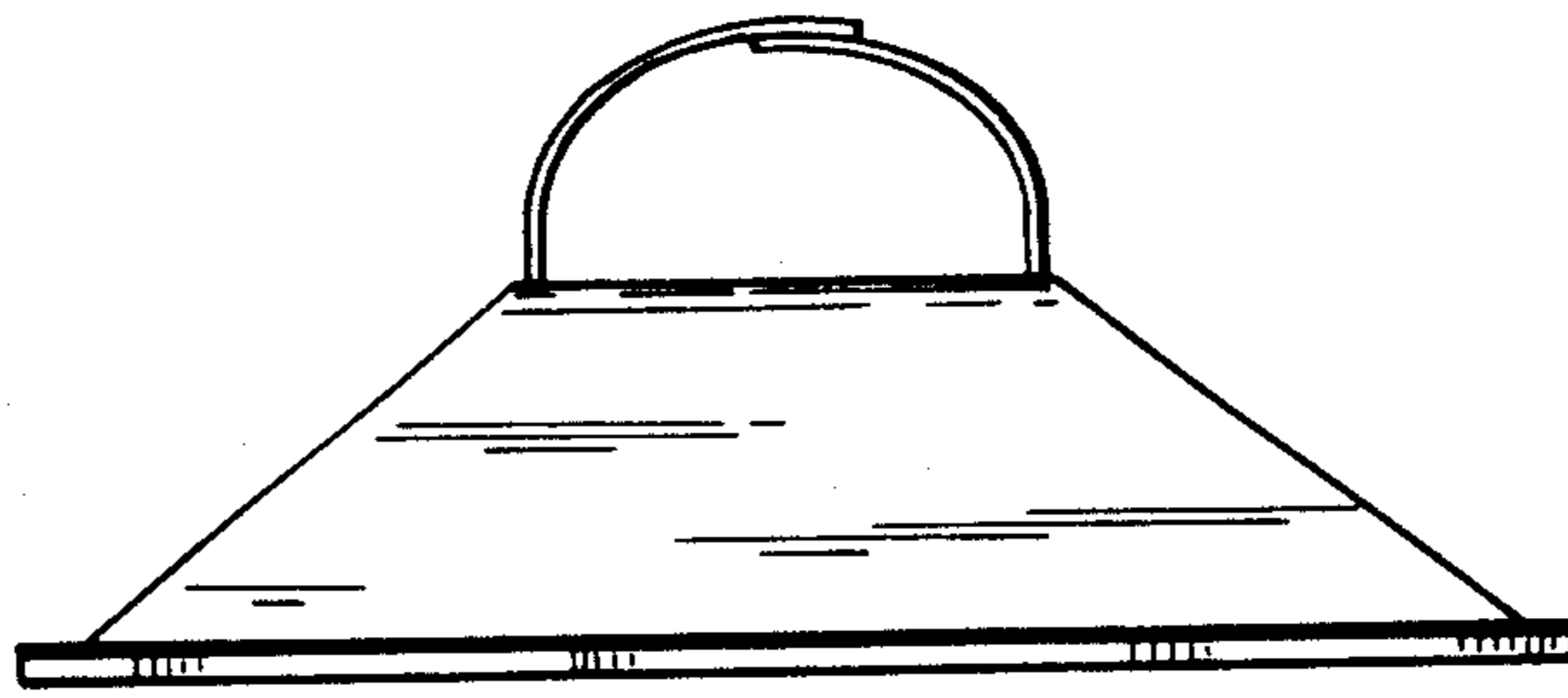


FIG. 3

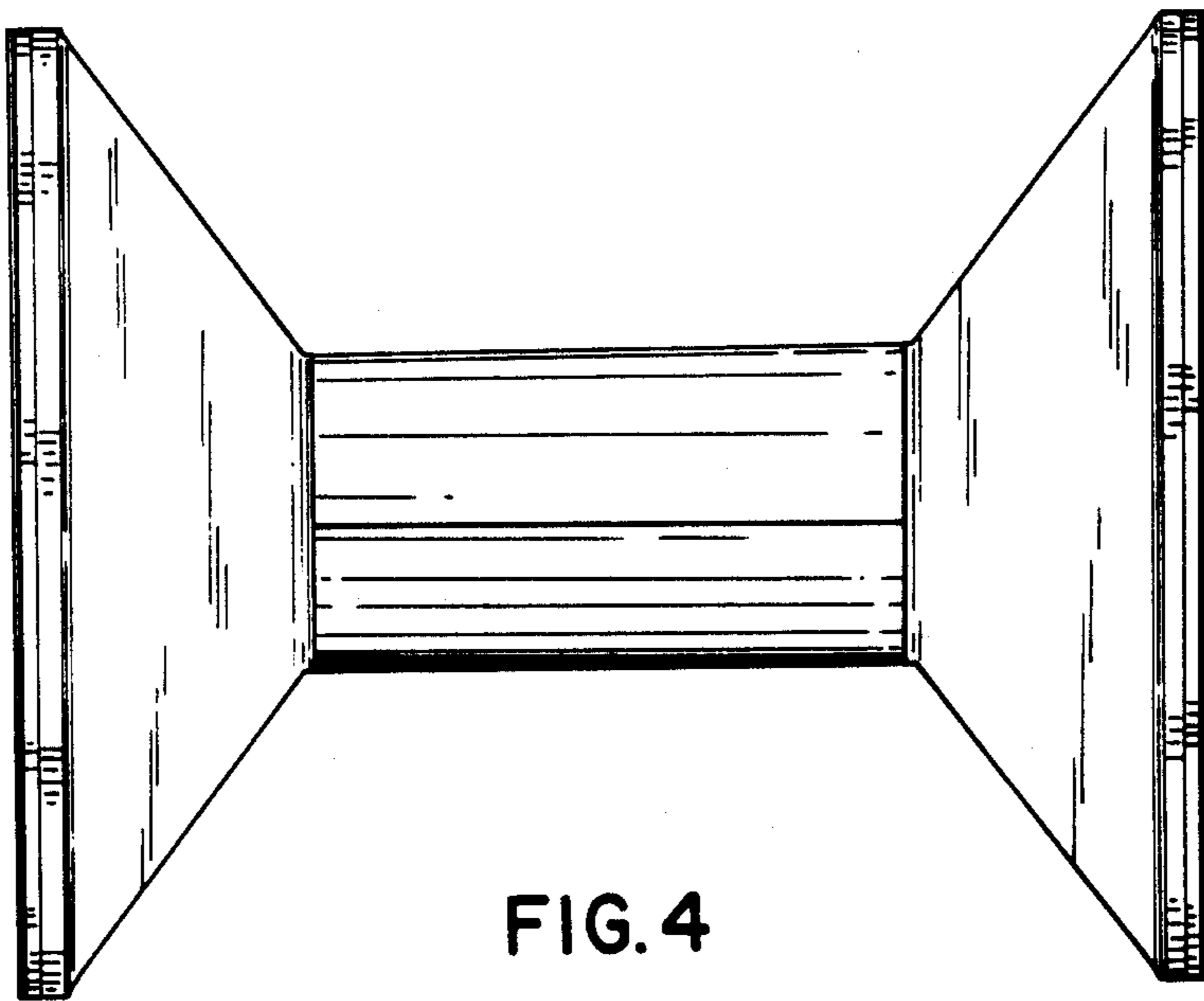


FIG. 4

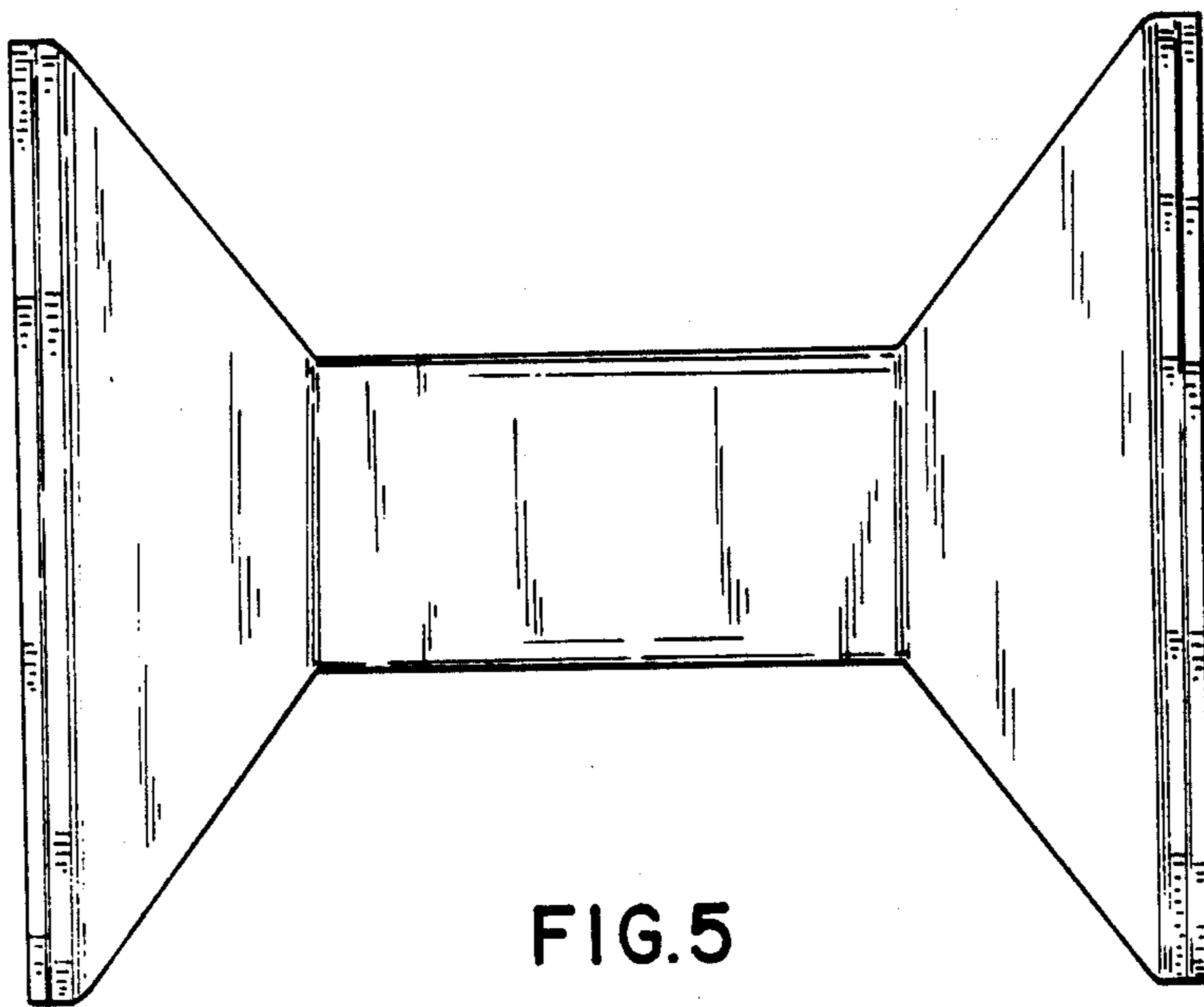


FIG. 5