

- [54] **PLANTER OR THE LIKE**
- [75] **Inventors:** Thomas G. Petruzzi, Orlando, Fla.;
Harold P. Ashton, Providence, R.I.;
Rino Conti, Stoughton, Mass.
- [73] **Assignee:** Dart Industries Inc., Los Angeles,
Calif.
- [**] **Term:** 14 Years
- [21] **Appl. No.:** 35,768
- [22] **Filed:** May 3, 1979
- [51] **Int. Cl.** D6-06; D11-02
- [52] **U.S. Cl.** D6/182; D11/143;
D11/148
- [58] **Field of Search** D11/143-149,
D11/151-156, 164; D6/157, 182, 183; 206/423,
558, 564; 47/66-69, 71, 72, 79-83, 85-87, 39,
40, 41 R, 41 SS, 41.1, 41.13; 211/74

- [56] **References Cited**
- U.S. PATENT DOCUMENTS**
- D. 28,854 6/1976 Bufton D11/152
- 3,099,355 7/1963 Kane 47/39

3,142,133 7/1964 Brooks 206/423
 3,896,587 7/1975 Insalaco 47/66

OTHER PUBLICATIONS

The Country Gourmet Cat., ©1974, p. 36, Lucite Plant Holder.

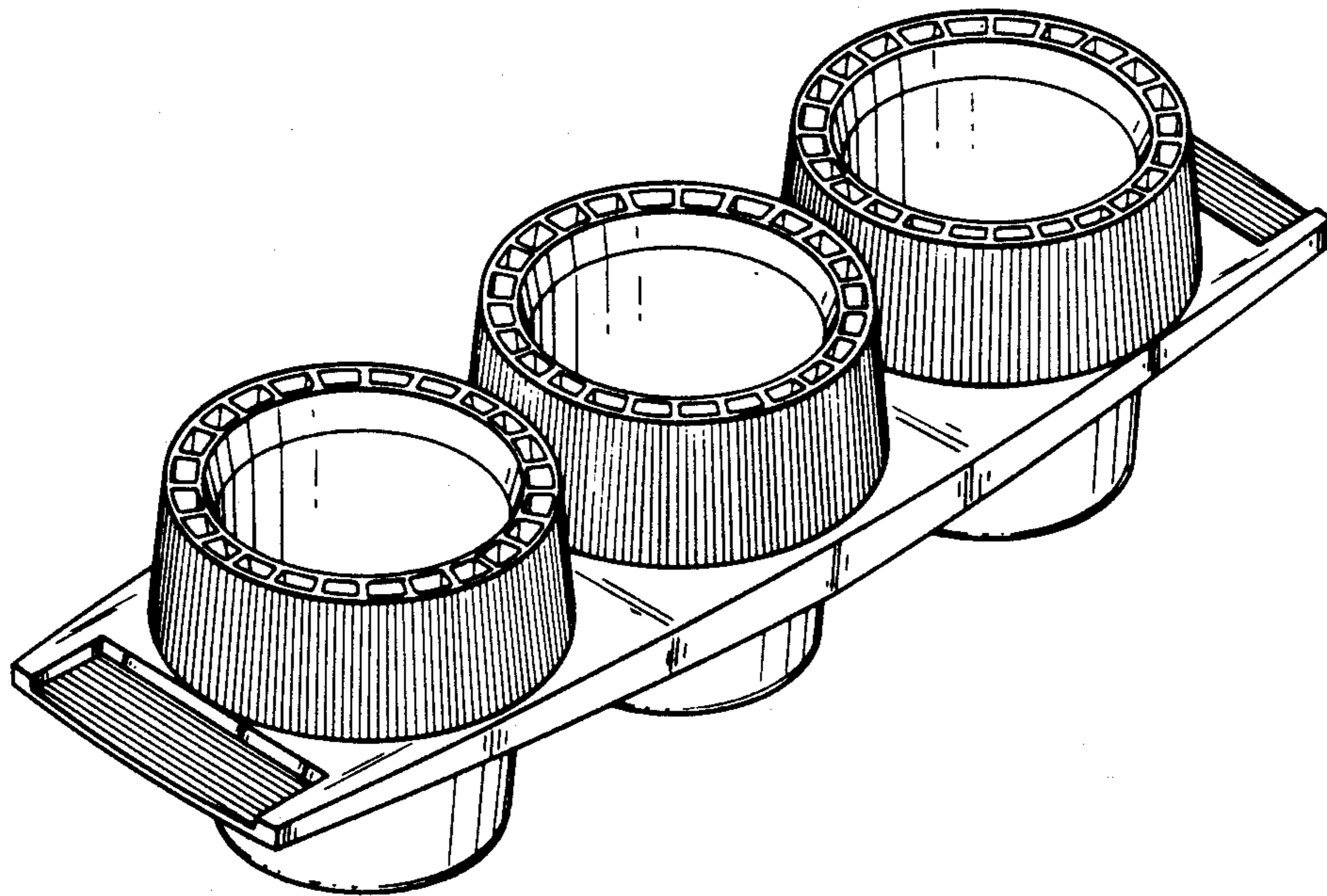
Primary Examiner—Wallace R. Burke
Assistant Examiner—B. J. Bullock
Attorney, Agent, or Firm—Leigh B. Taylor

[57] **CLAIM**

The ornamental design for a planter or the like, substantially as shown.

DESCRIPTION

FIG. 1 is a top perspective view of a planter or the like showing our new design;
 FIG. 2 is a front and rear elevational view thereof;
 FIG. 3 is an end view thereof;
 FIG. 4 is an enlarged sectional view taken in the direction of the arrows on line 4-4 of FIG. 5;
 FIG. 5 is a top plan view thereof;
 FIG. 6 is a bottom plan view thereof; and,
 FIG. 7 is a sectional view taken in the direction of the arrows on line 7-7 of FIG. 5.



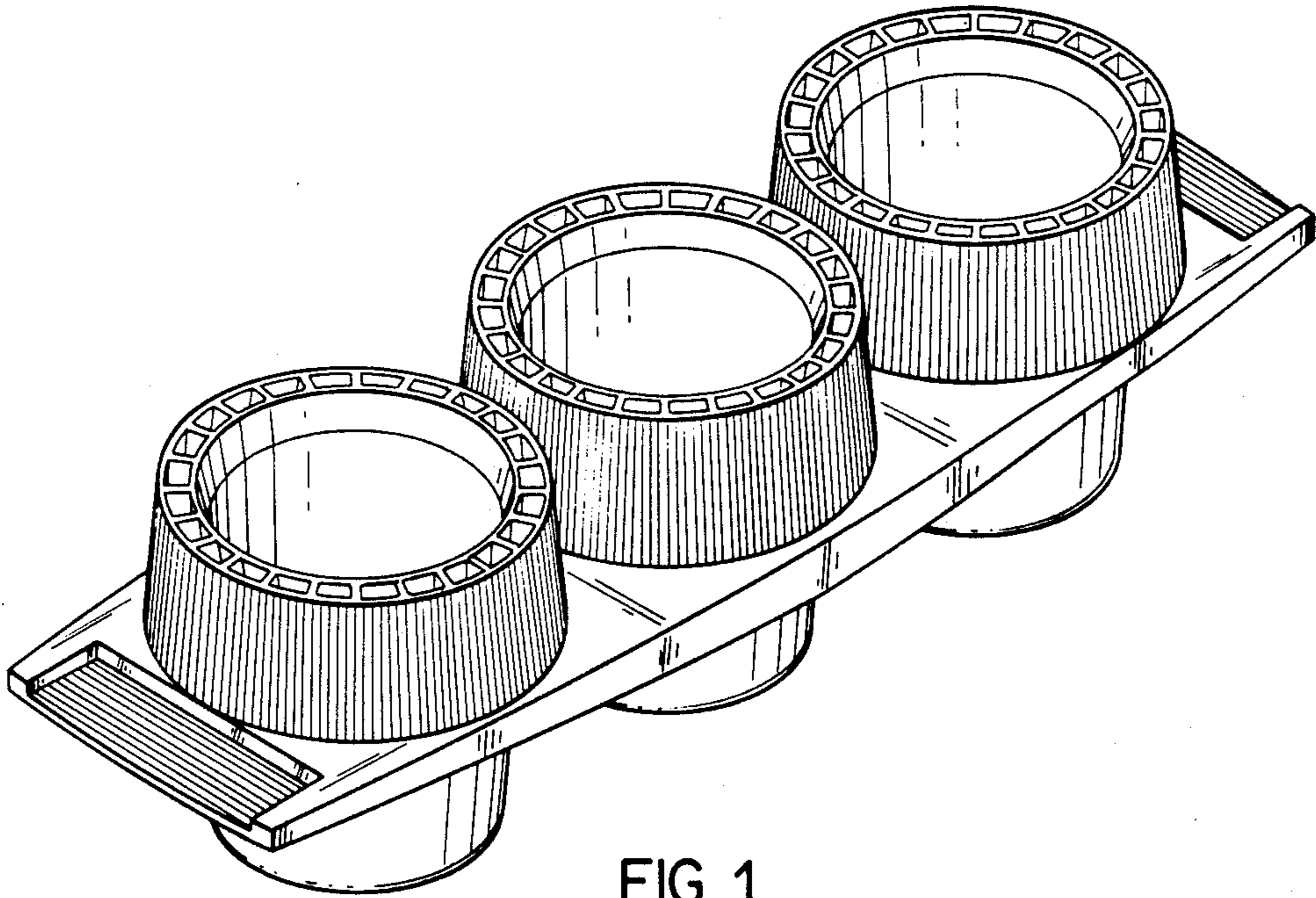


FIG. 1

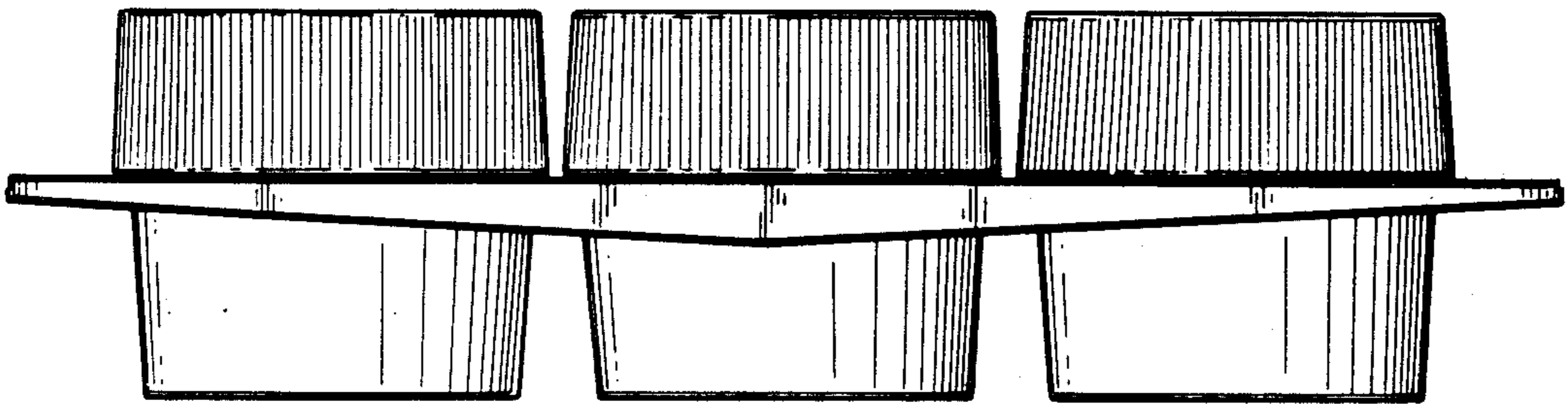


FIG. 2

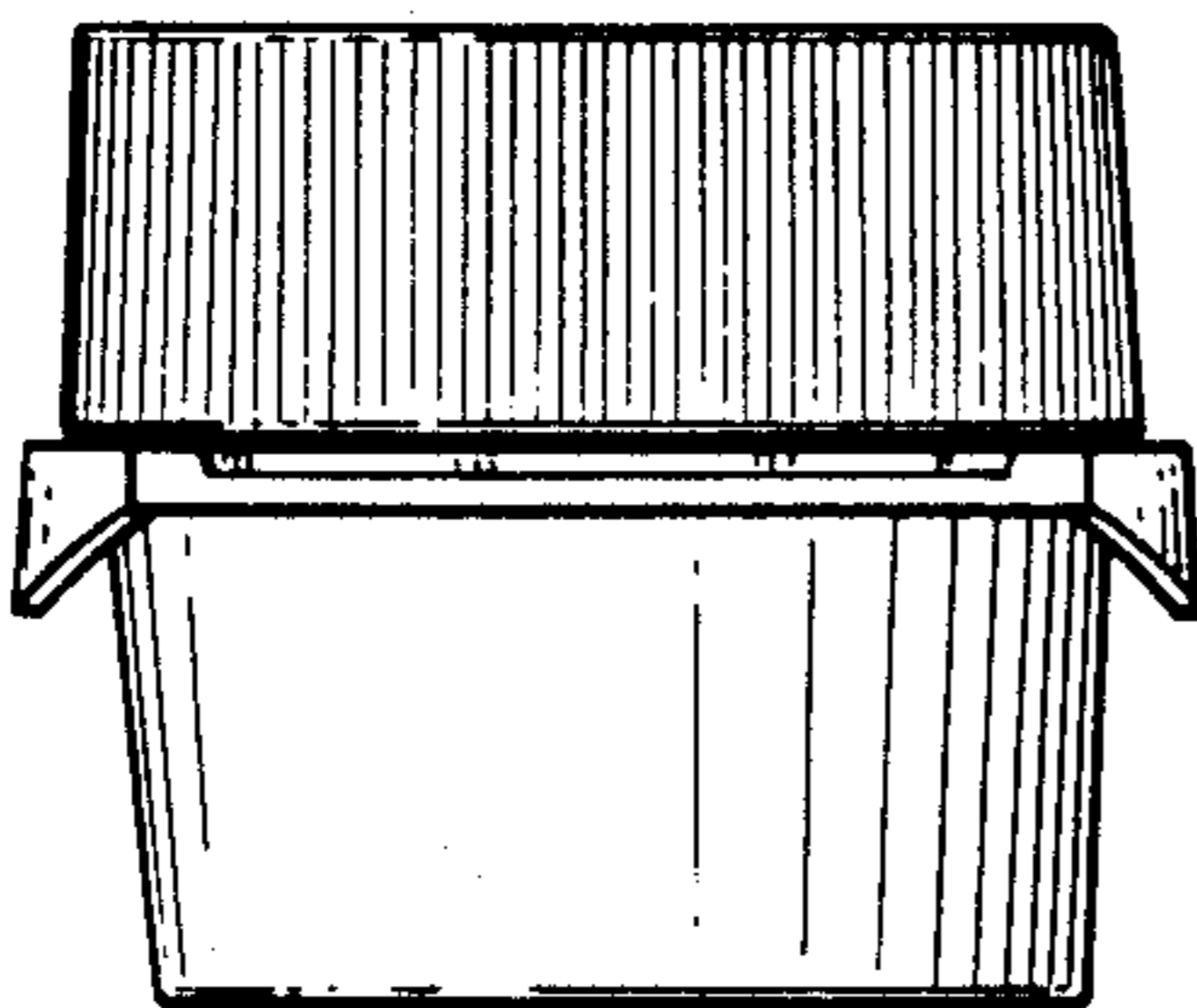


FIG. 3

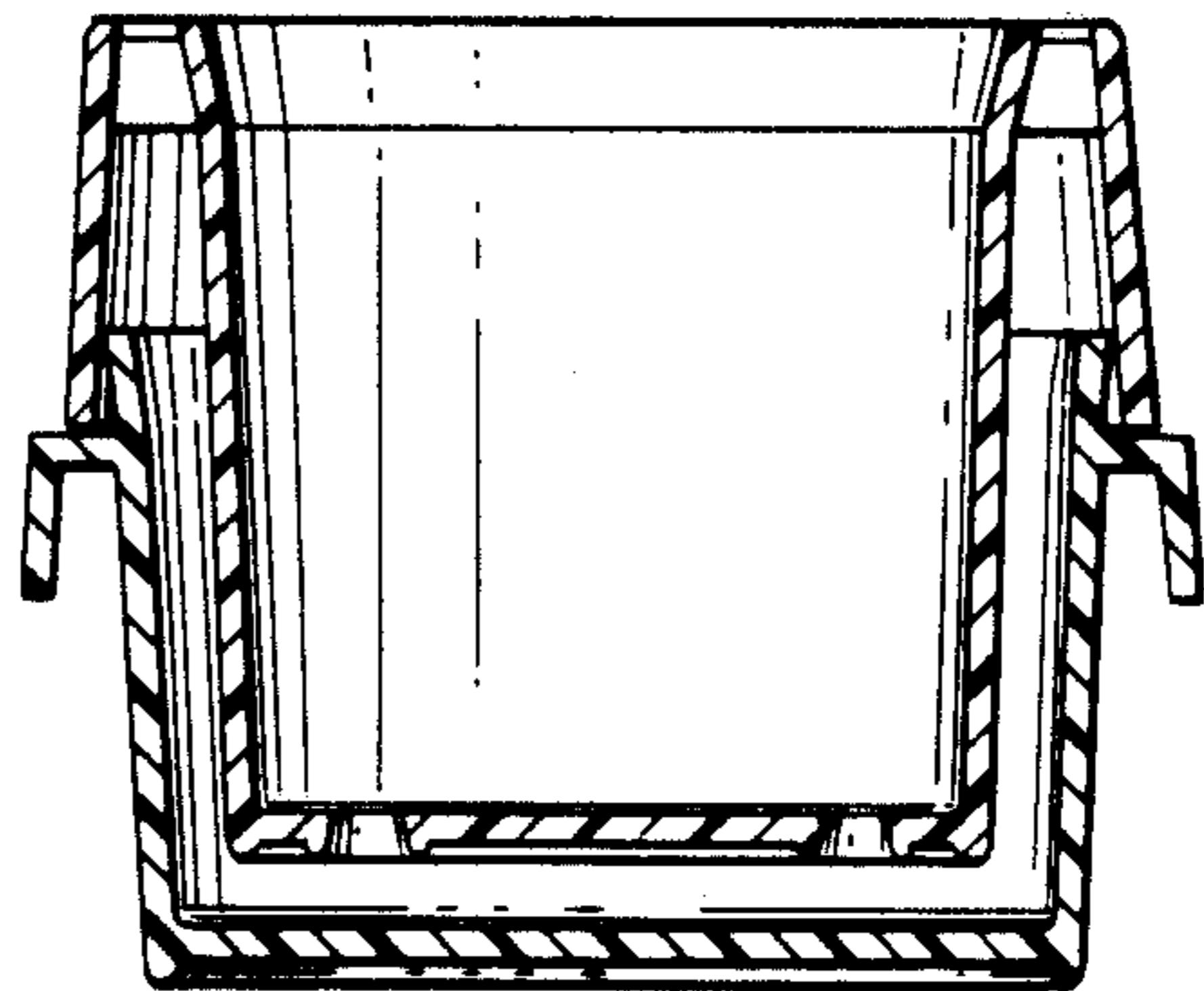


FIG. 4

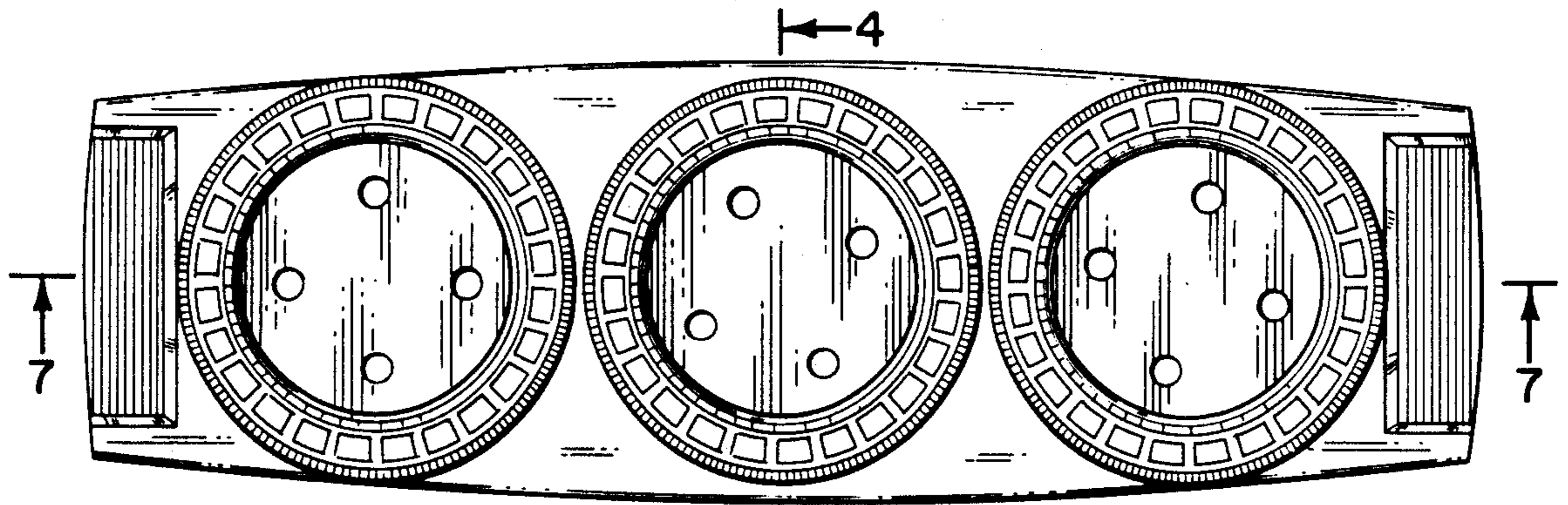


FIG. 5

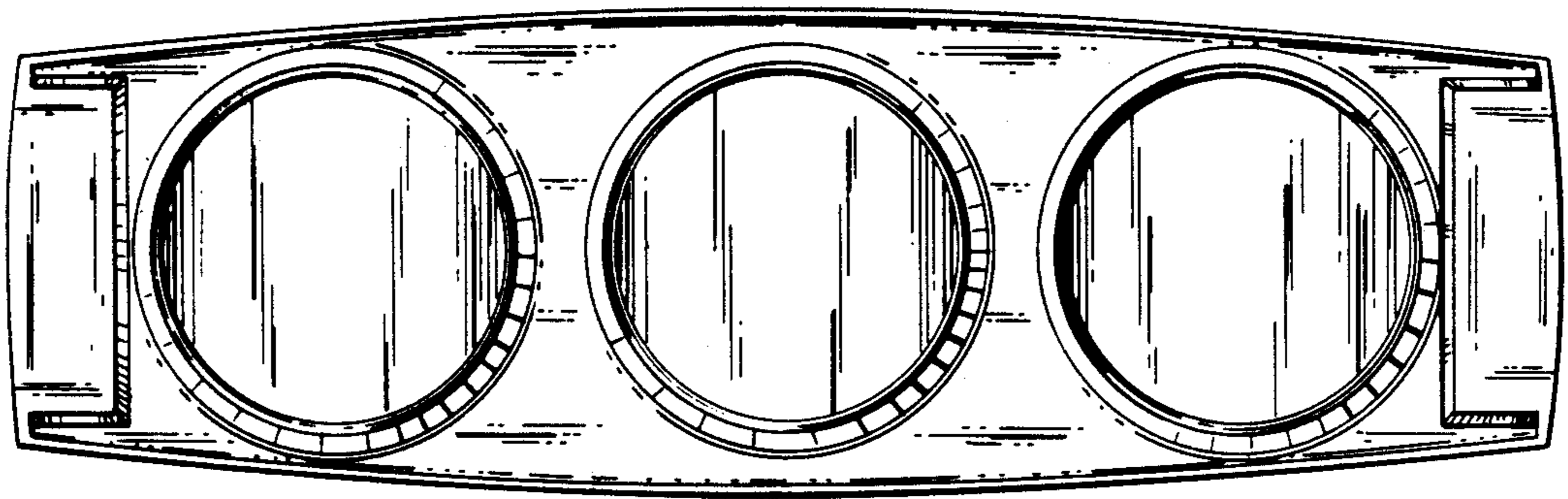


FIG. 6

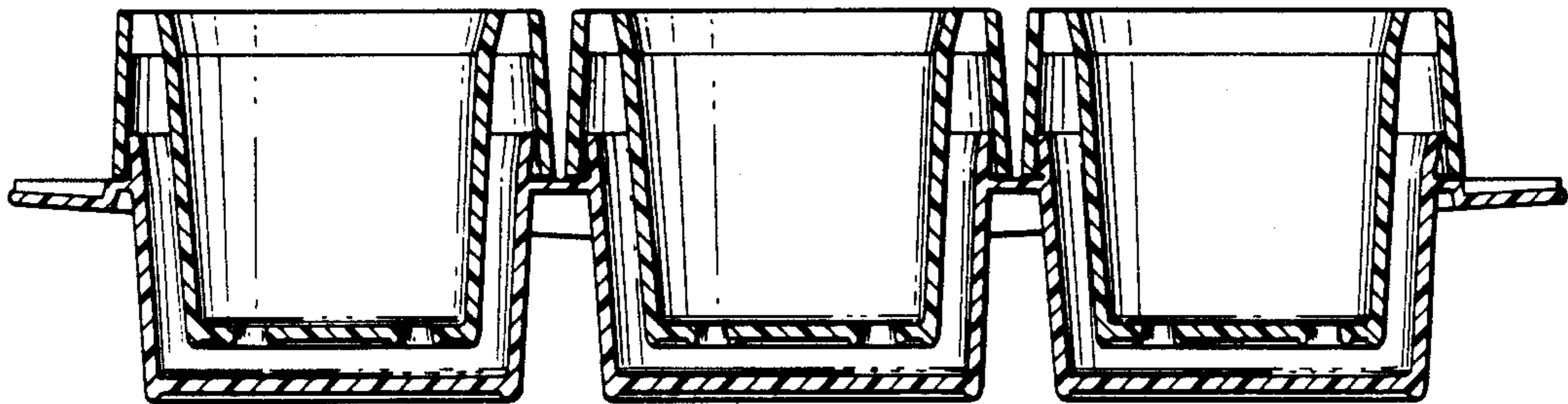


FIG. 7