

[54] FLOWER POT HOLDER

4,075,769 2/1978 Young ..... D7/33

[76] Inventors: Henry W. Volkmann, 3737 Seguin, Dallas, Tex. 75220; Walter H. Volkmann, 4738 Denton Dr., Dallas, Tex. 75219

[\*\*] Term: 14 Years

[21] Appl. No.: 901,020

[22] Filed: Apr. 27, 1978

[51] Int. Cl. .... D6-06; D7-01; D11-02

[52] U.S. Cl. .... D6/182; D7/33; D11/152

[58] Field of Search ..... D11/143, 152-154, D11/164; D6/182, 183; D14/14, 24; D7/33, 36, 23; 47/66, 72, 39, 41 R

[56] References Cited

U.S. PATENT DOCUMENTS

D. 25,131 2/1896 Fowler, Jr. .... D7/23

OTHER PUBLICATIONS

Harrington & King Perforated Materials Cat. No. 75, ©1958, p. 124, "Round Cake" pattern.

Primary Examiner—Wallace R. Burke

Assistant Examiner—B. J. Bullock

Attorney, Agent, or Firm—E. Mickey Hubbard

[57] CLAIM

The ornamental design for a flower pot holder, as shown.

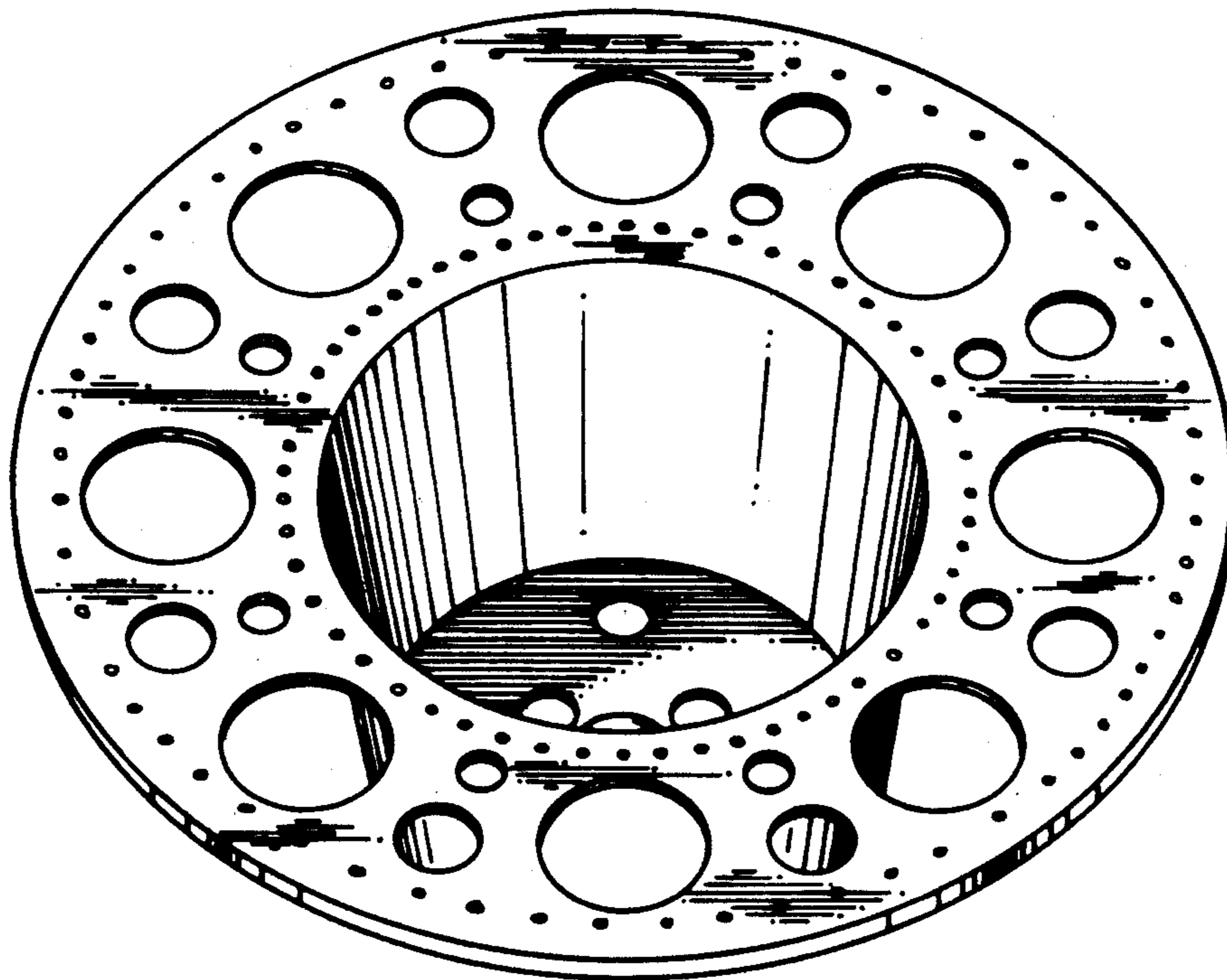
DESCRIPTION

FIG. 1 is a perspective view of a flower pot holder showing our new design;

FIG. 2 is a top plan view thereof on a reduced scale;

FIG. 3 is a bottom plan view thereof on a reduced scale; and

FIG. 4 is a side elevational view thereof on a reduced scale, it being understood that the view from any side will be essentially as shown in FIG. 4.



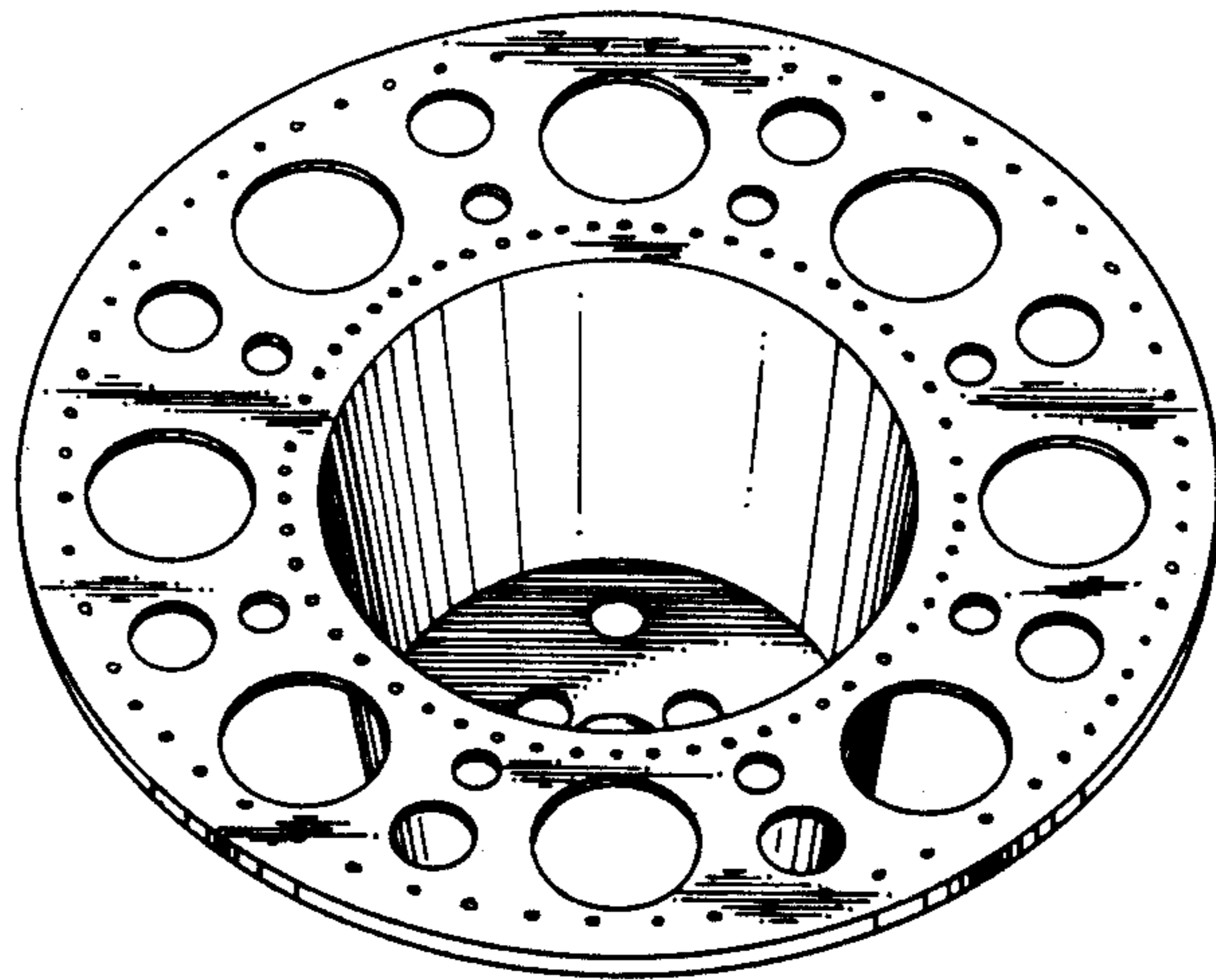


FIG. 1

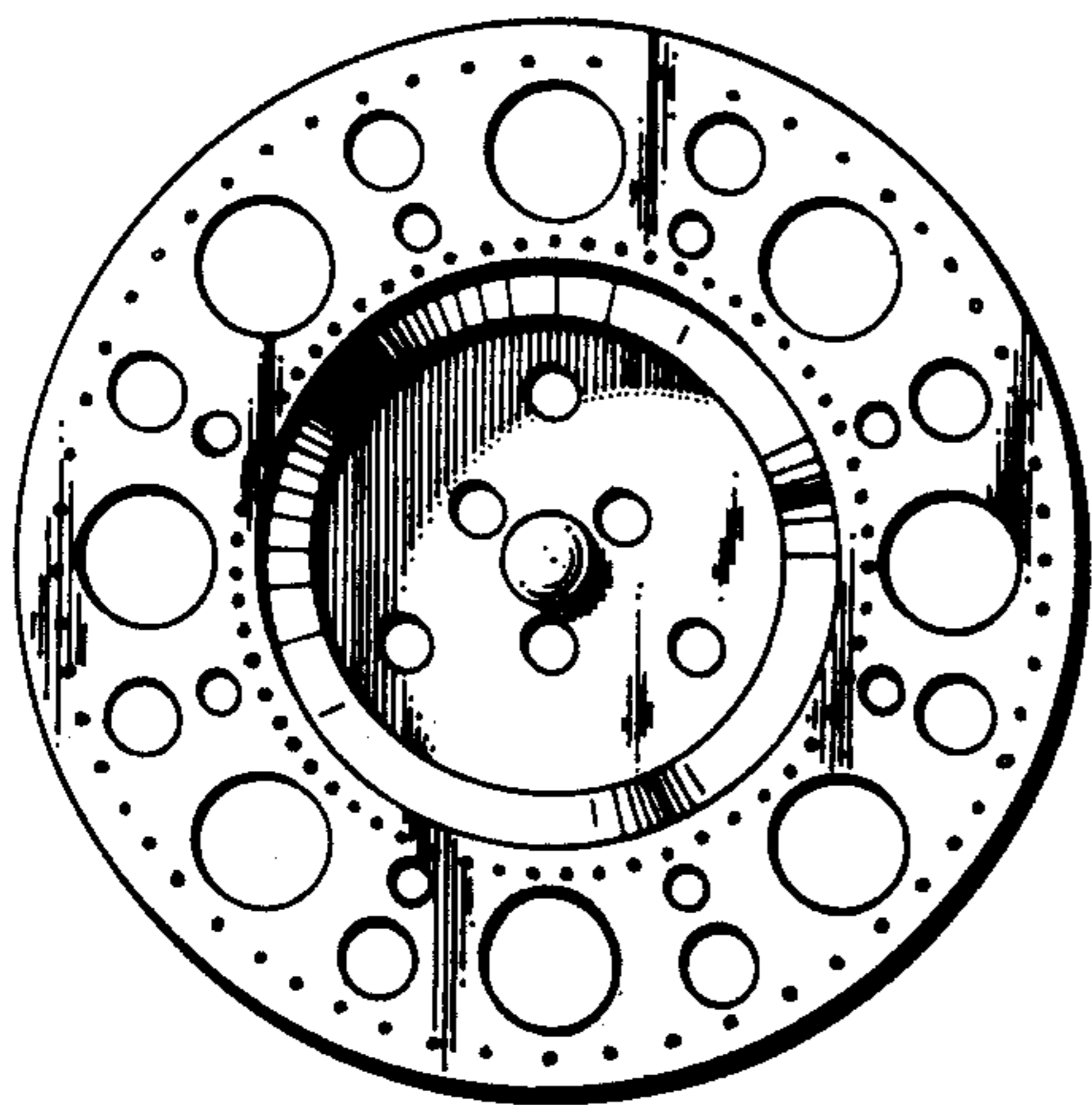


FIG. 2

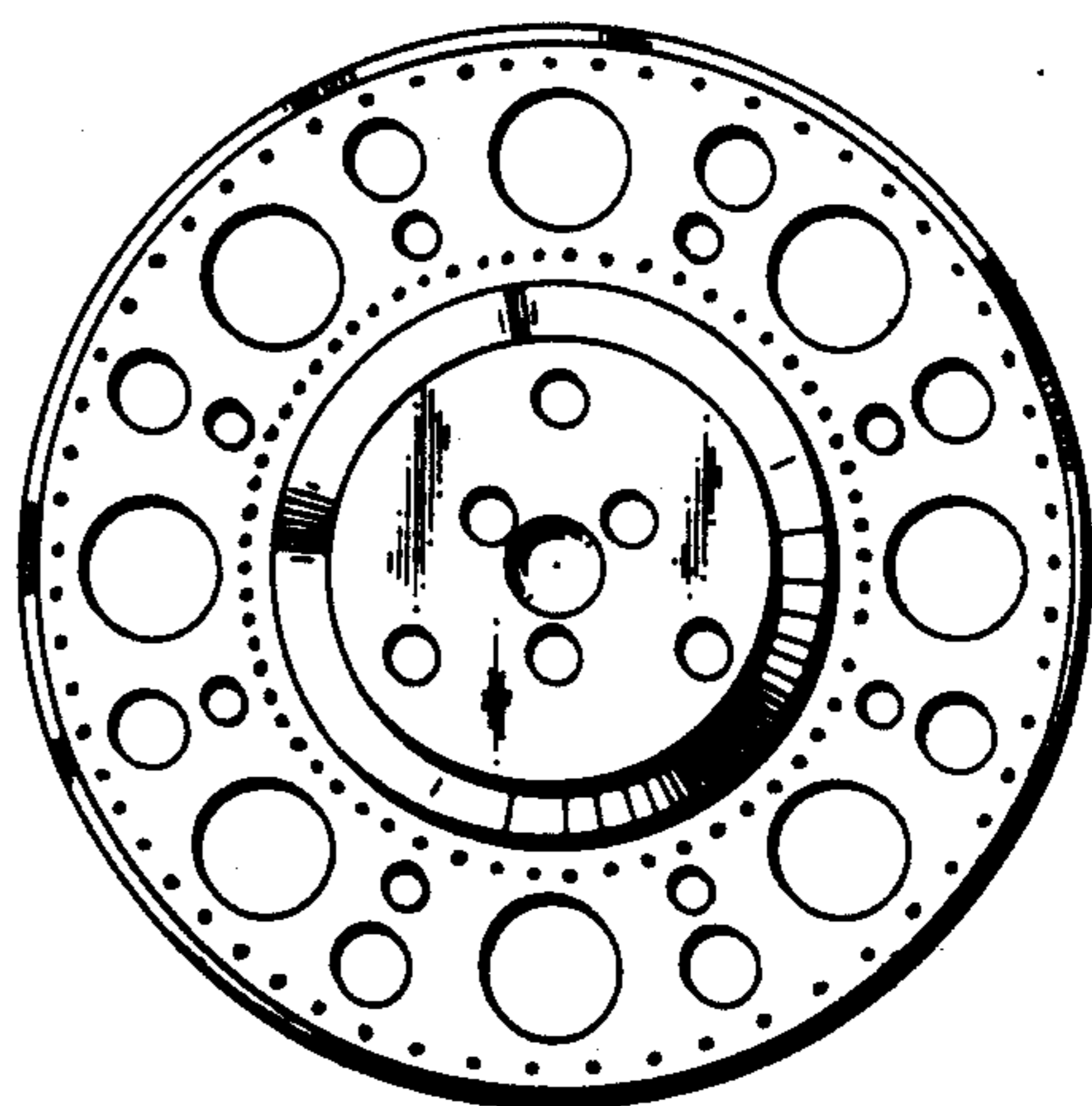


FIG. 3



FIG. 4