

[54] DESK

[75] Inventor: Robert T. Whalen, Toronto, Canada

[73] Assignee: Whalen Nesbitt Forde Ltd., Toronto, Canada

[**] Term: 14 Years

[21] Appl. No.: 873,455

[22] Filed: Jan. 30, 1978

[30] Foreign Application Priority Data

Sep. 16, 1977 [CA] Canada 1609776

[51] Int. Cl. D6-99

[52] U.S. Cl. D6/181; D6/161

[58] Field of Search D6/158-166, D6/173, 181

[56]

References Cited

U.S. PATENT DOCUMENTS

- D. 185,502 6/1959 Koci D6/173 X
- D. 233,970 12/1974 Hodges D6/181 X
- D. 240,581 7/1976 Ostborg et al. D6/161

Primary Examiner—Bruce W. Dunkins

Attorney, Agent, or Firm—Rogers, Bereskin & Parr

[57]

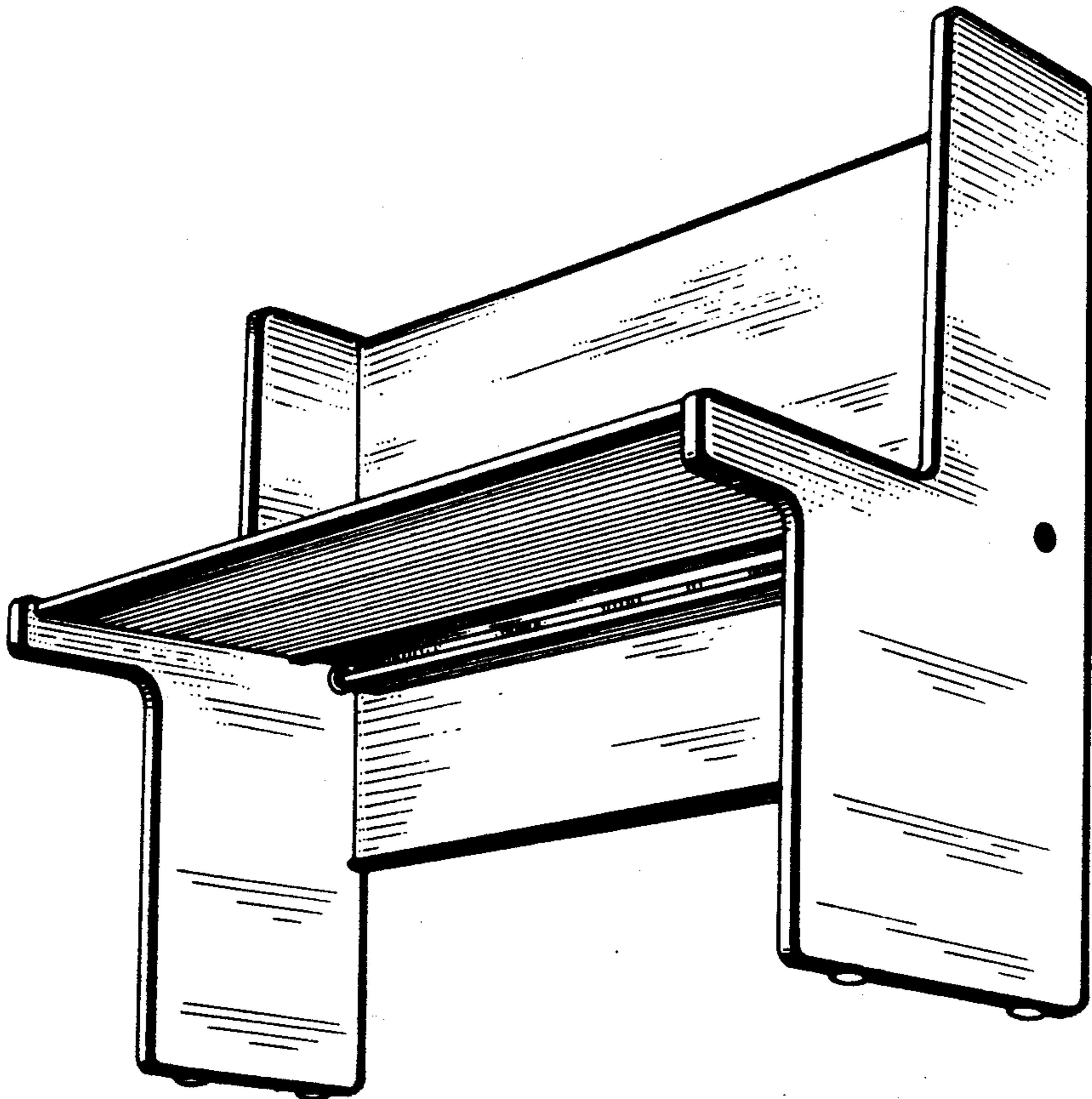
CLAIM

The ornamental design for a desk, as shown.

DESCRIPTION

FIG. 1 is a front perspective view of a desk showing my design;

FIG. 2 is a front perspective view taken from below and showing the side opposite that disclosed in FIG. 1; and FIG. 3 is a rear perspective view thereof.



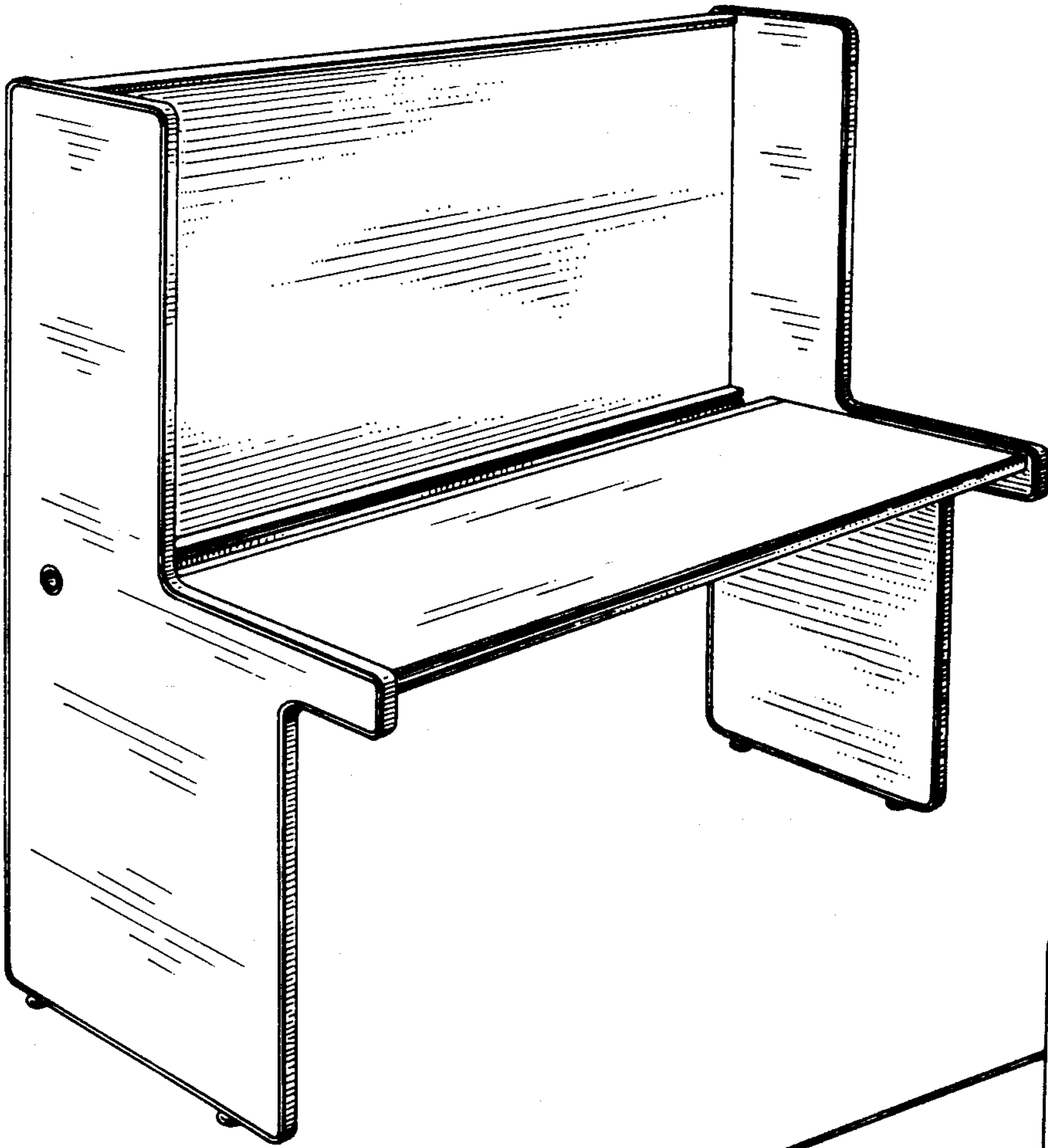


FIG. 1

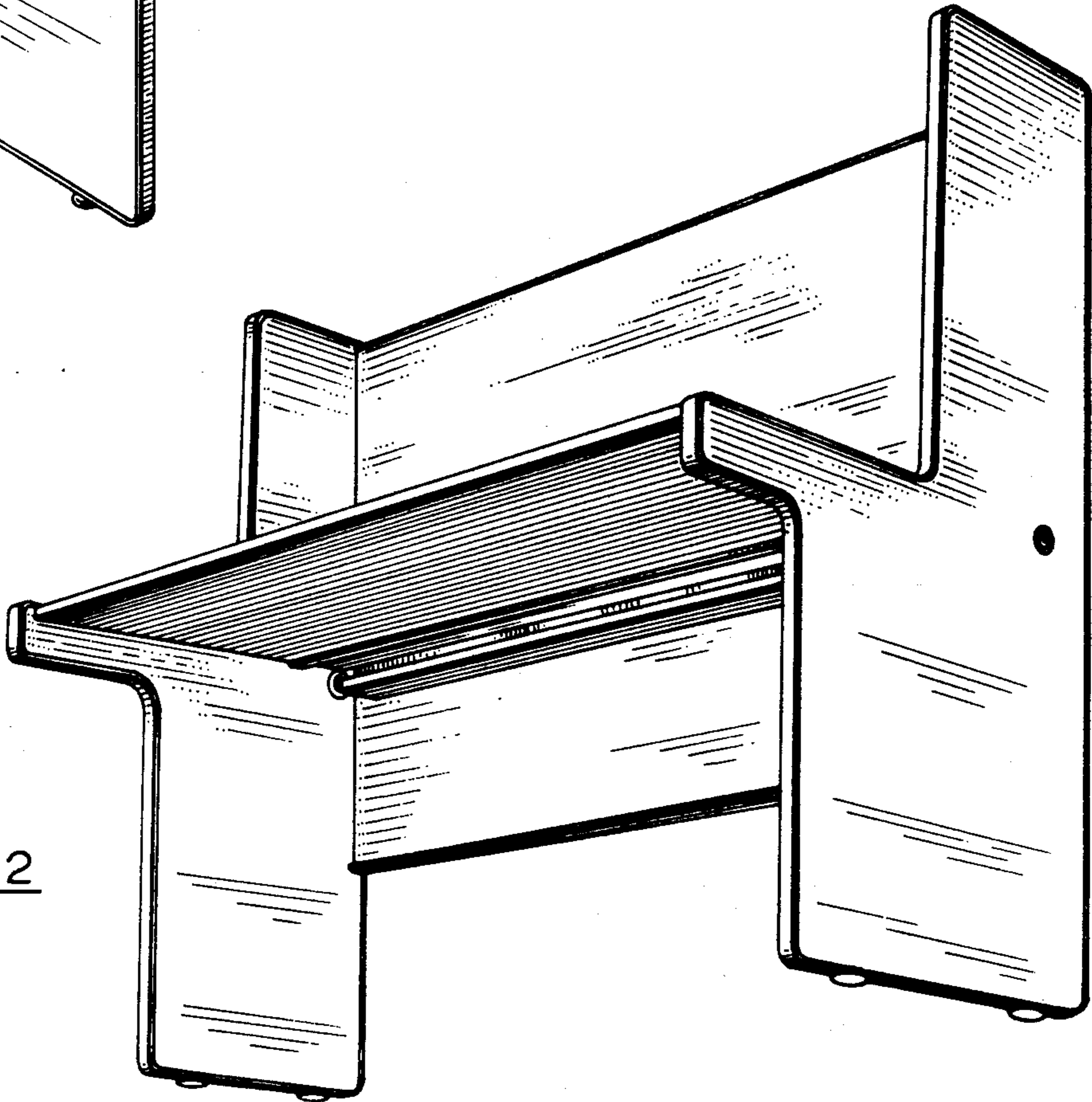


FIG. 2

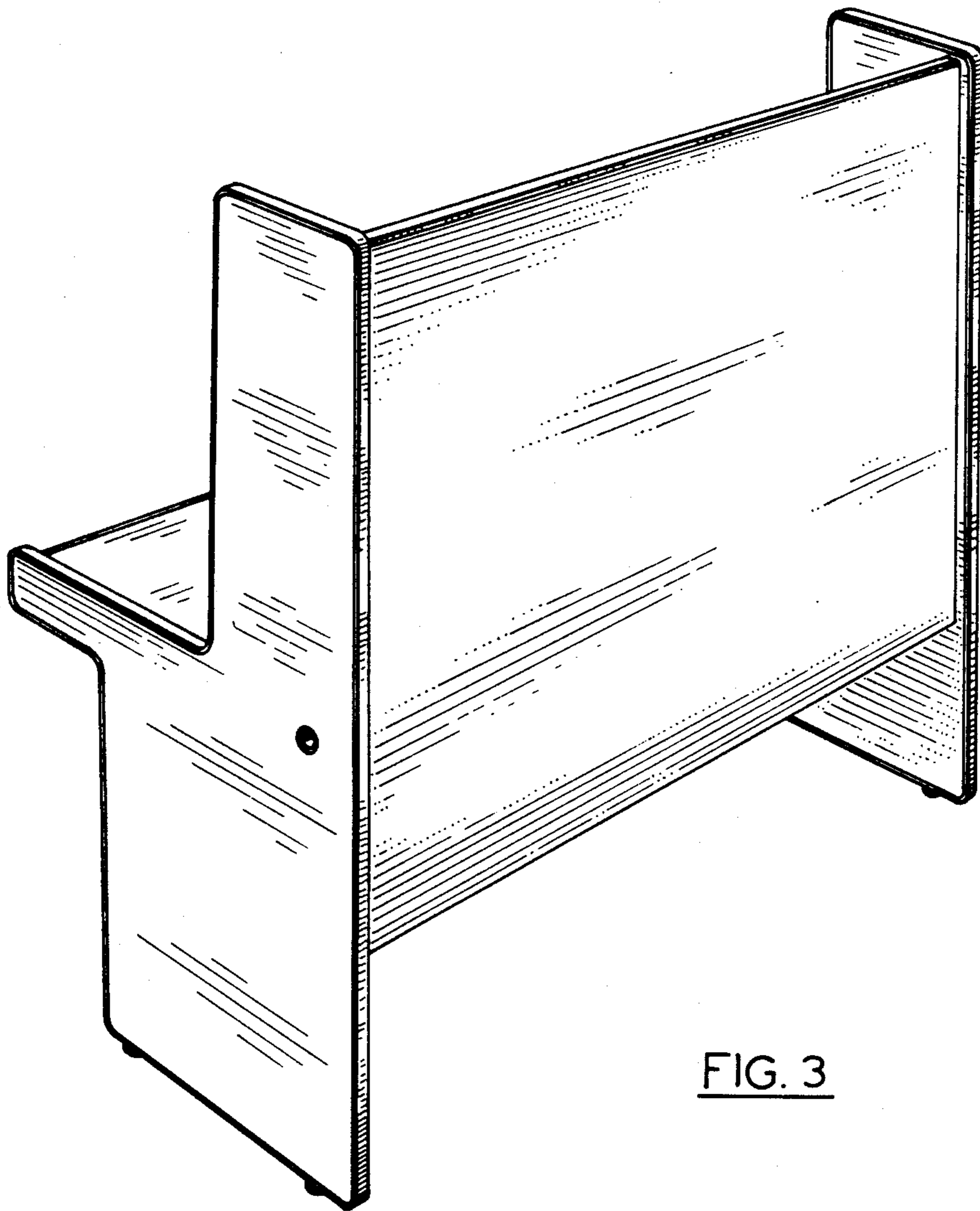


FIG. 3