

[54] COMBINED DISPLAY CASE AND LIGHT FIXTURE THEREFOR

[75] Inventor: Frank W. Brittner, Pittsburgh, Pa.

[73] Assignee: J & J Snack Food Corp., Pennsauken, N.J.

[**] Term: 14 Years

[21] Appl. No.: 904,837

[22] Filed: May 11, 1978

[51] Int. Cl. D20-02; D11-02

[52] U.S. Cl. D6/172; D6/177; D11/145

[58] Field of Search D6/167, 168, 172, 173, D6/177, 127; D11/145; 312/114, 117, 118, 120, 121, 123-125, 128, 223

[56] References Cited

U.S. PATENT DOCUMENTS

D. 209,768	1/1968	Rasmussen	D11/145
D. 237,729	11/1975	Coppa	D11/145
D. 240,582	7/1976	Friedman	D6/177
D. 252,127	6/1979	Stewart	D6/127

Primary Examiner—Wallace R. Burke
Assistant Examiner—B. J. Bullock
Attorney, Agent, or Firm—Steele, Gould & Fried

[57] CLAIM

The ornamental design for a combined display case and light fixture therefor, as shown and described.

DESCRIPTION

FIG. 1 is an enlarged perspective view of a display case showing my new design;
FIG. 2 is a top view thereof;
FIG. 3 is a front view thereof, the rear being substantially similar except for the omission of the pattern on the upper panel and the inclusion of a knob;
FIG. 4 is a side view taken from the right of FIG. 1.

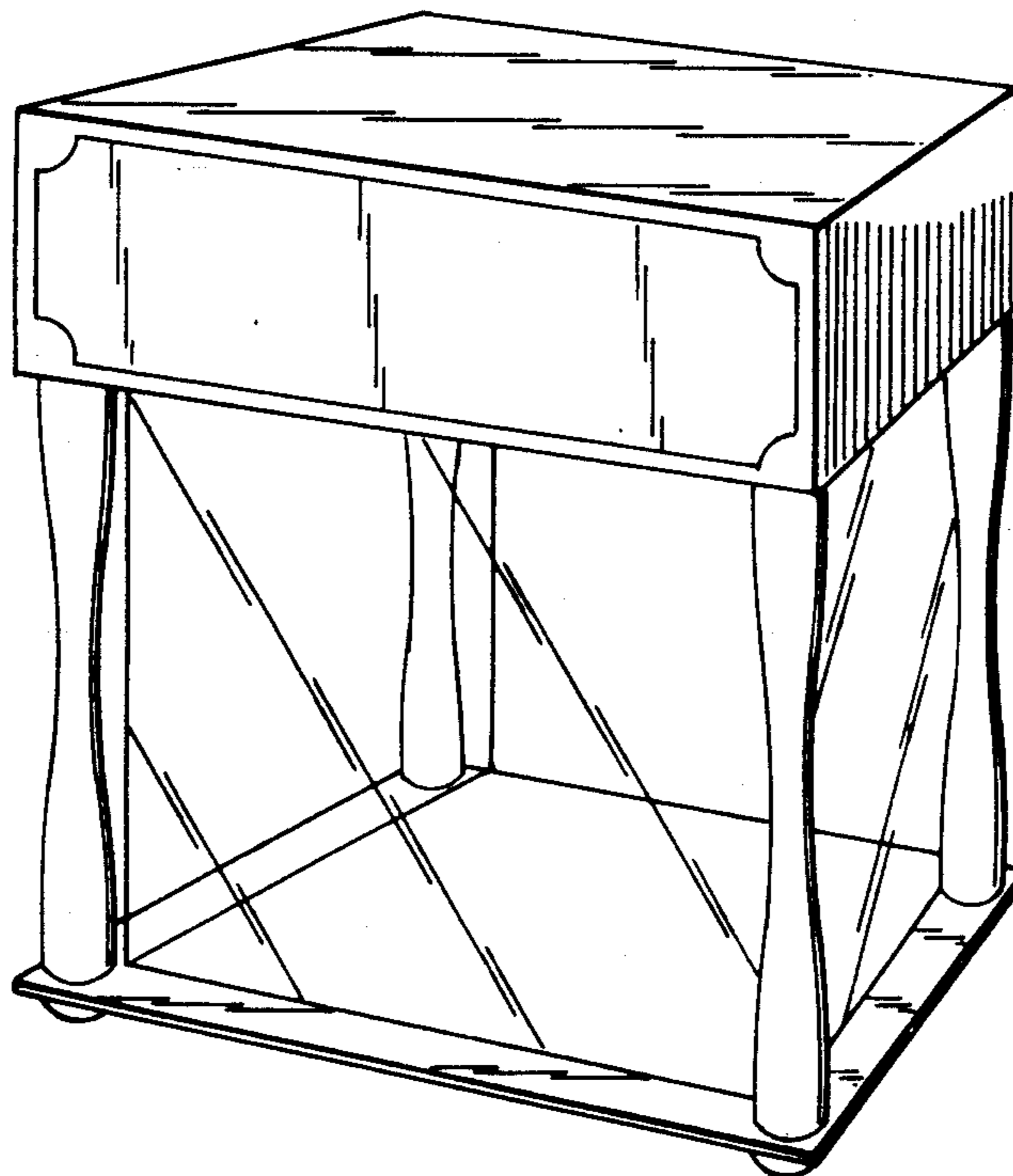


FIG. 1.

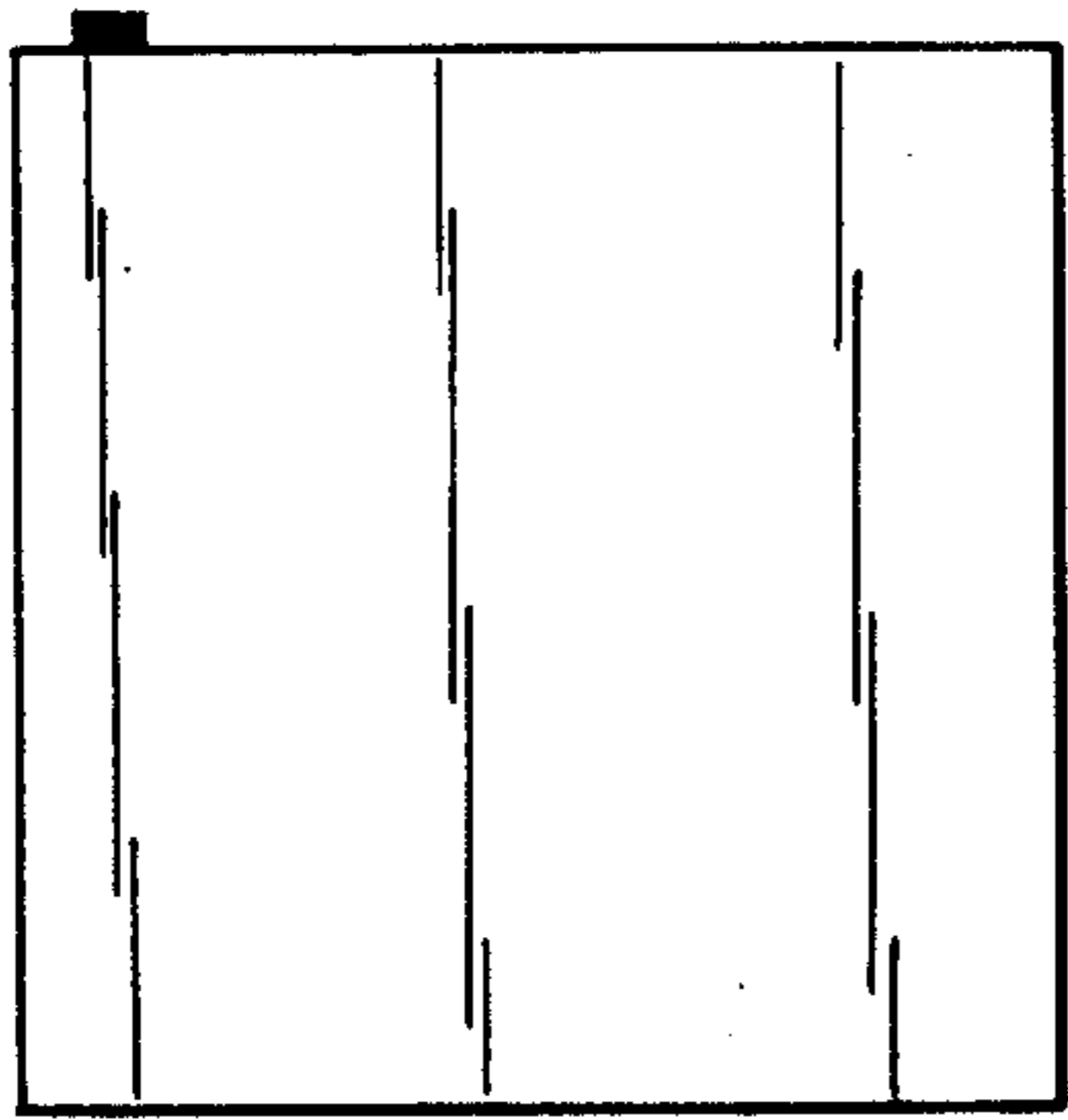
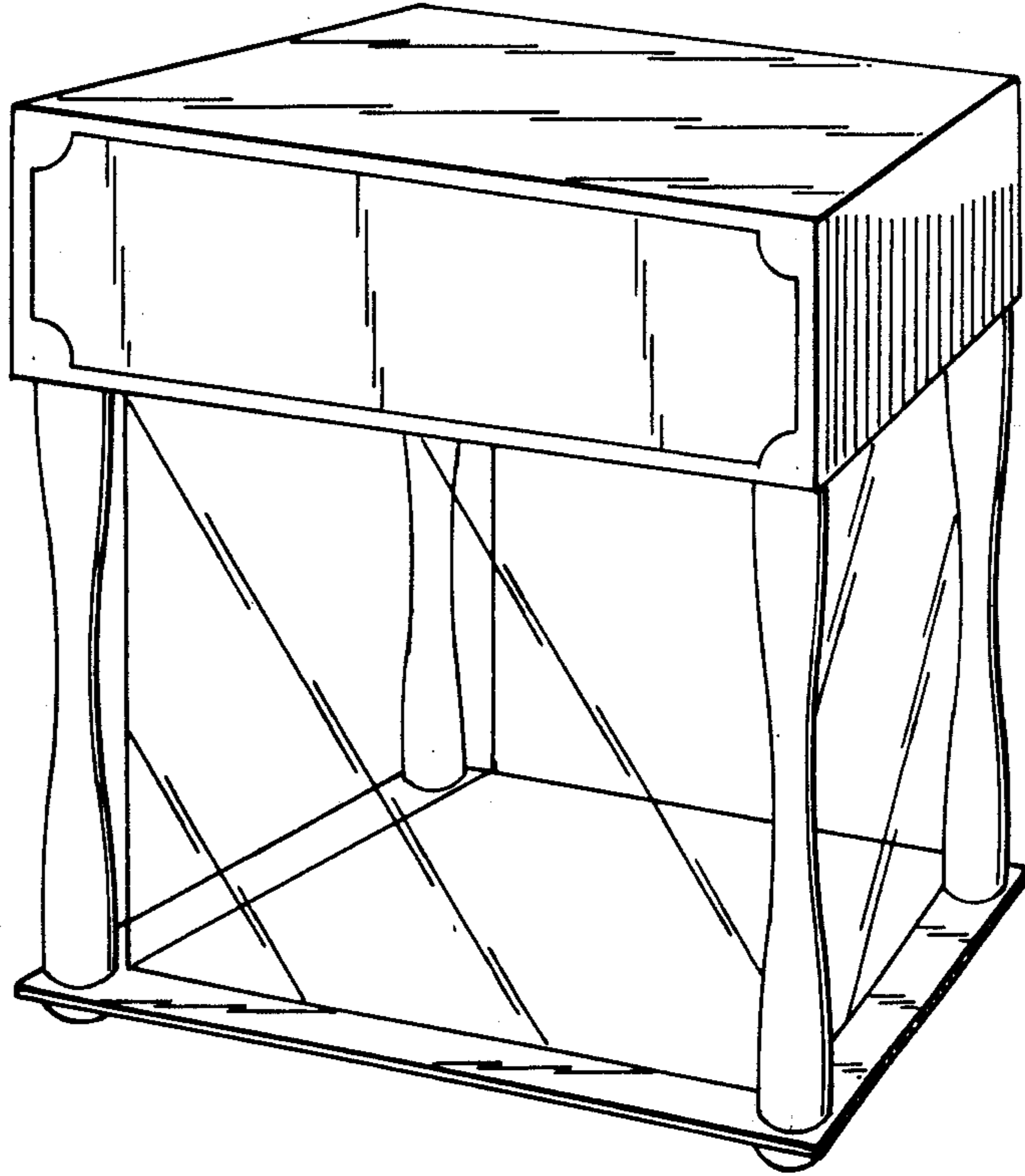


FIG. 2.

FIG. 3.

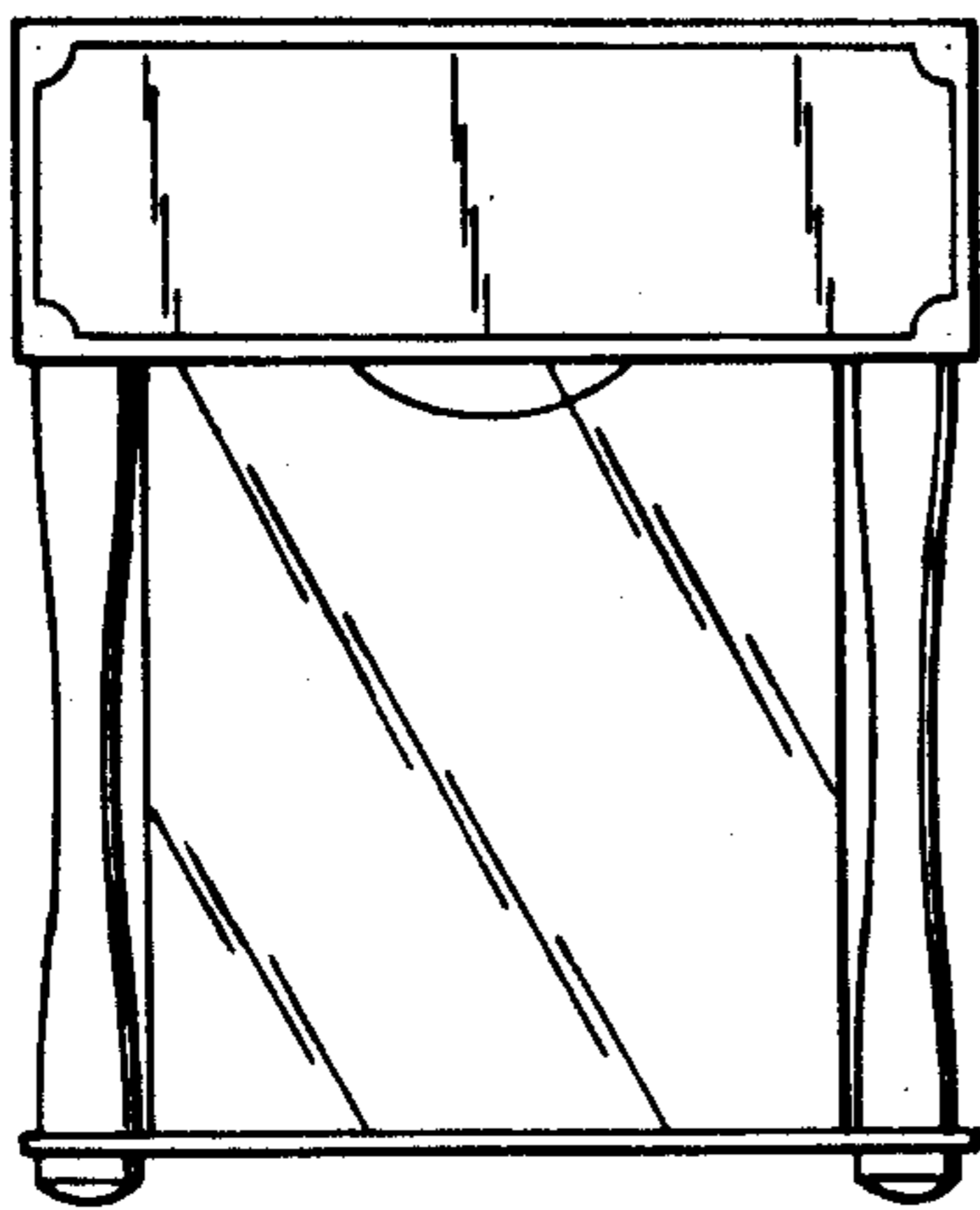


FIG. 4.

