

[54] ADJUSTABLE TOWEL BAR

[76] Inventor: Aldo Tonini, 278 Talbot St., London, Ontario, Canada, N6V 2H3

[**] Term: 14 Years

[21] Appl. No.: 911,059

[22] Filed: May 30, 1978

[51] Int. Cl. D23-02

[52] U.S. Cl. D6/99

[58] Field of Search D6/86-94, D6/96-103, 114, 113; 108/29-31, 42; 211/16, 87, 88, 105.1, 123

[56] References Cited

U.S. PATENT DOCUMENTS

871,543 11/1907 Watson 211/123

OTHER PUBLICATIONS

Sweet's Architectural Catalog File 1972, Sec. 10.17/mo, p. 9, Towel Bar.

Primary Examiner—Wallace R. Burke

Assistant Examiner—B. J. Bullock

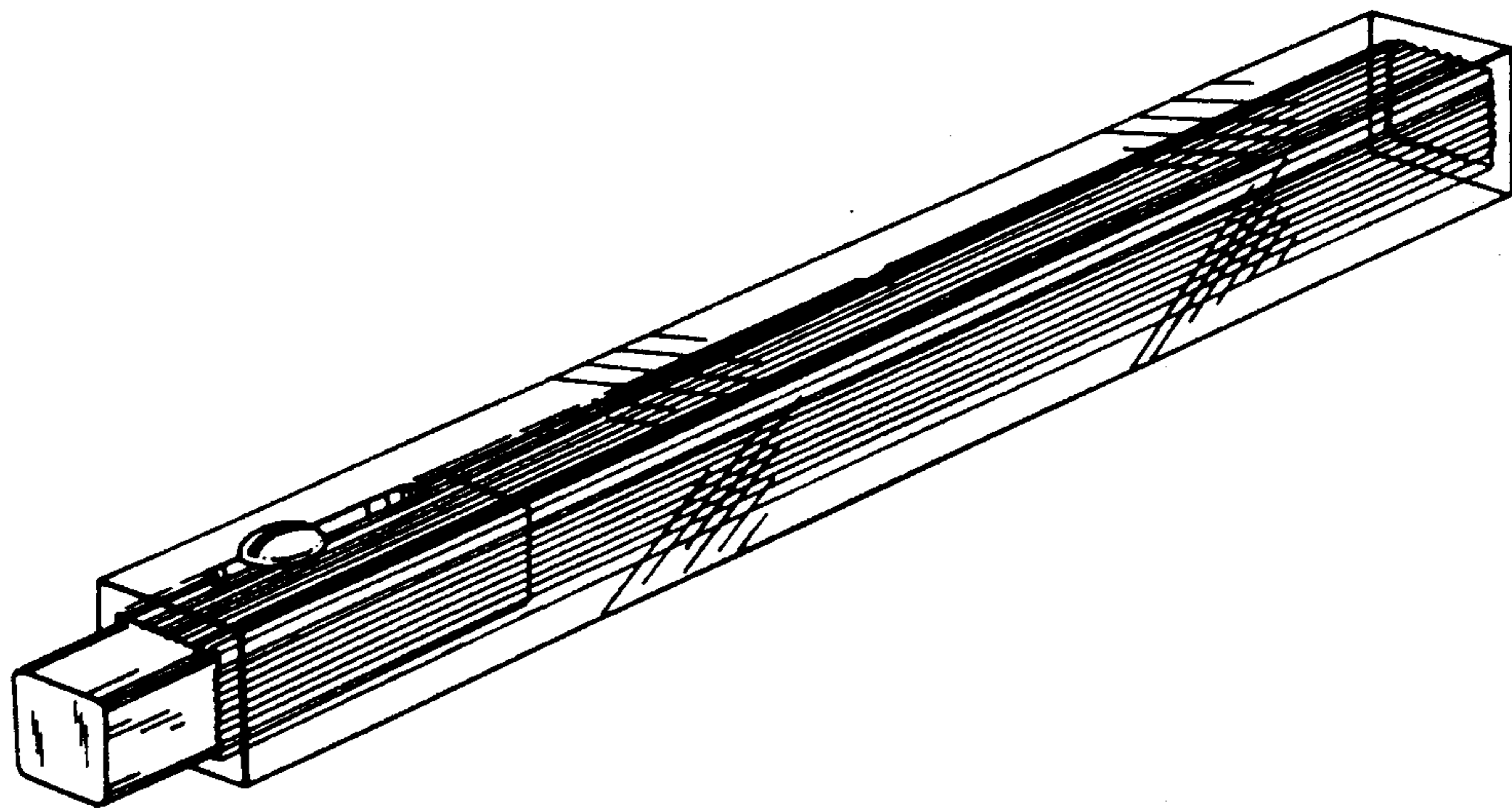
Attorney, Agent, or Firm—John A. Baker

[57] CLAIM

The ornamental design for an adjustable towel bar, as shown and described.

DESCRIPTION

FIG. 1 is a perspective view of an adjustable towel bar showing my new design; and FIG. 2 is an end elevational view taken from the right of FIG. 1.



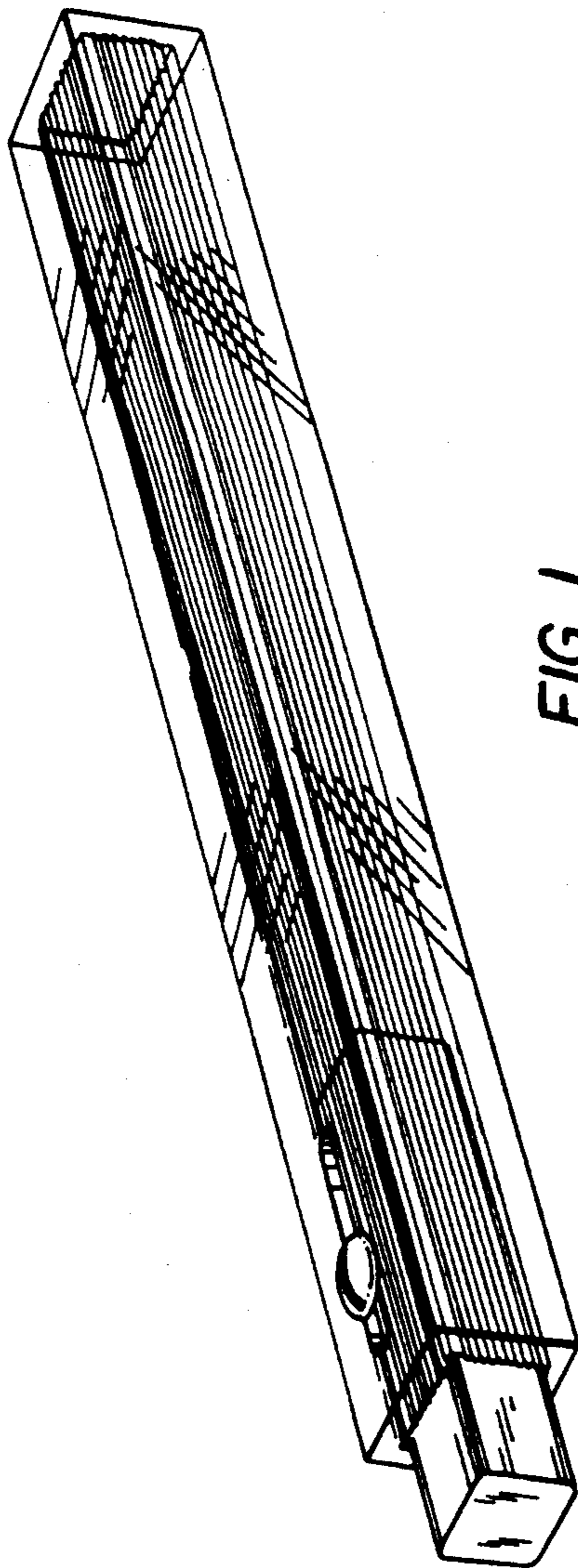


FIG. 1

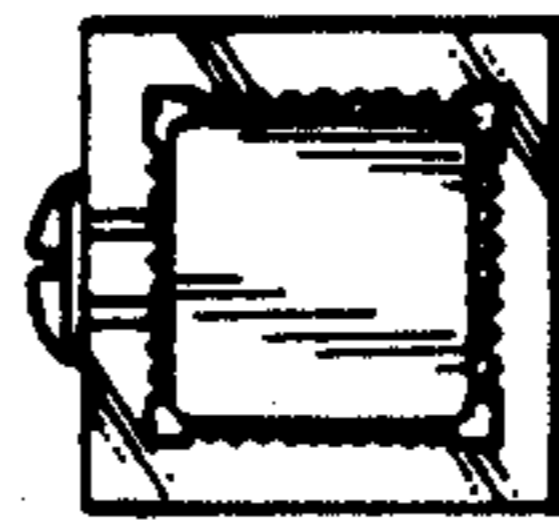


FIG. 2