

[54] ADJUSTABLE BED

[75] Inventor: John C. Lundgren, Corona, Calif.

[73] Assignee: Maxwell Products, Inc., Cerritos, Calif.

[**] Term: 14 Years

[21] Appl. No.: 822,885

[22] Filed: Aug. 8, 1977

[51] Int. Cl. D6-01

[52] U.S. Cl. D6/79; D6/84

[58] Field of Search D6/5, 47, 65, 79, 83, D6/84; D24/3; 5/66, 68

[56] References Cited

U.S. PATENT DOCUMENTS

3,051,965 9/1962 Szemplak et al. 5/68

3,061,843 11/1962 Singer et al. 5/66
3,175,229 3/1965 Bergenwall 5/66
3,644,946 2/1972 Swatt 5/68

FOREIGN PATENT DOCUMENTS

2433516 1/1976 Fed. Rep. of Germany 5/66

Primary Examiner—Joel Stearman

Assistant Examiner—Jane E. Corrigan

Attorney, Agent, or Firm—Poms, Smith, Lande & Rose

[57] CLAIM

The ornamental design for an adjustable bed, as shown and described.

DESCRIPTION

FIG. 1 is a top and left side perspective view of an adjustable bed showing my new design; FIG. 2 is a right side elevational view; FIG. 3 is a rear elevational view; and FIG. 4 is a front elevational view.

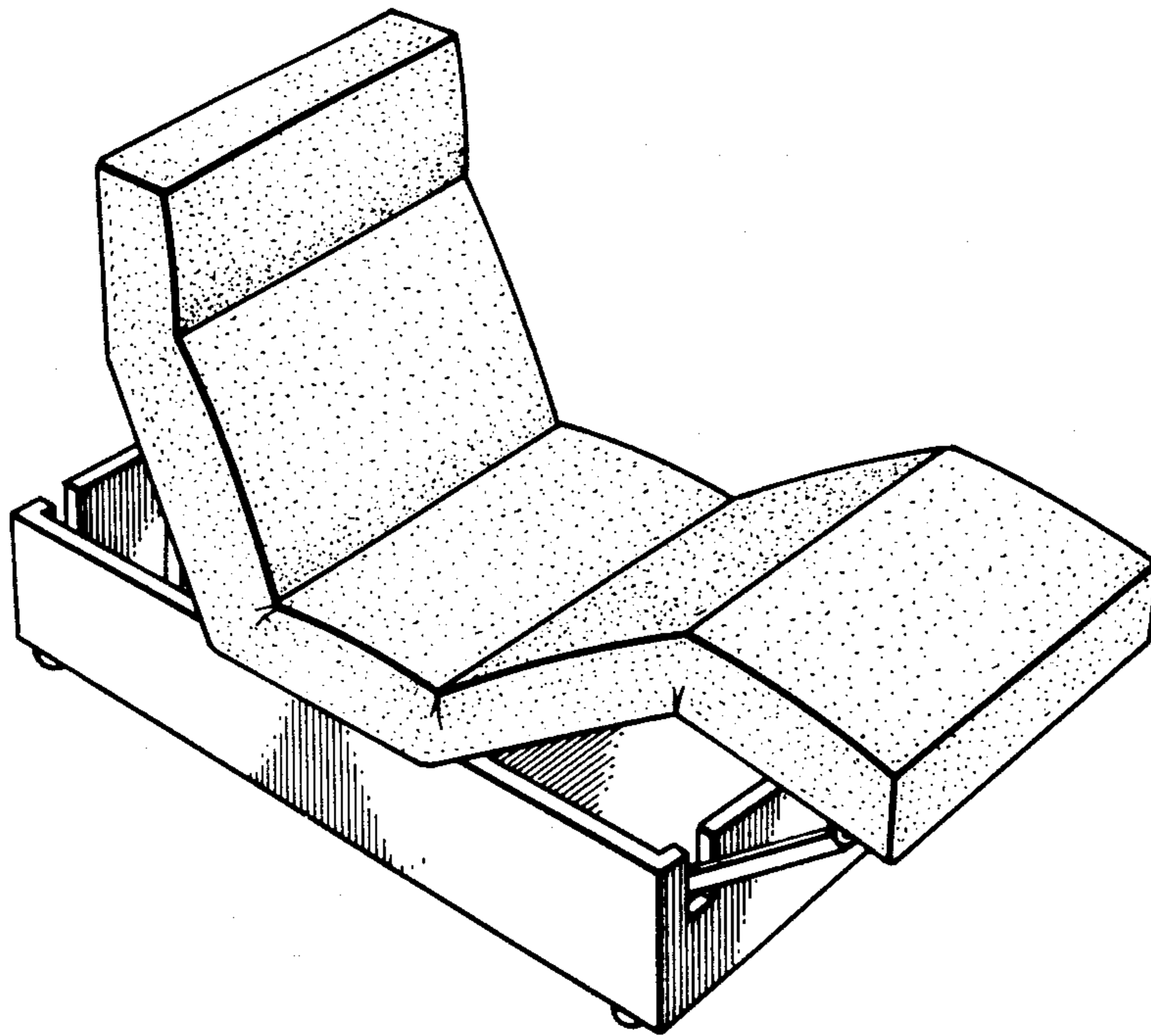


Fig. 1.

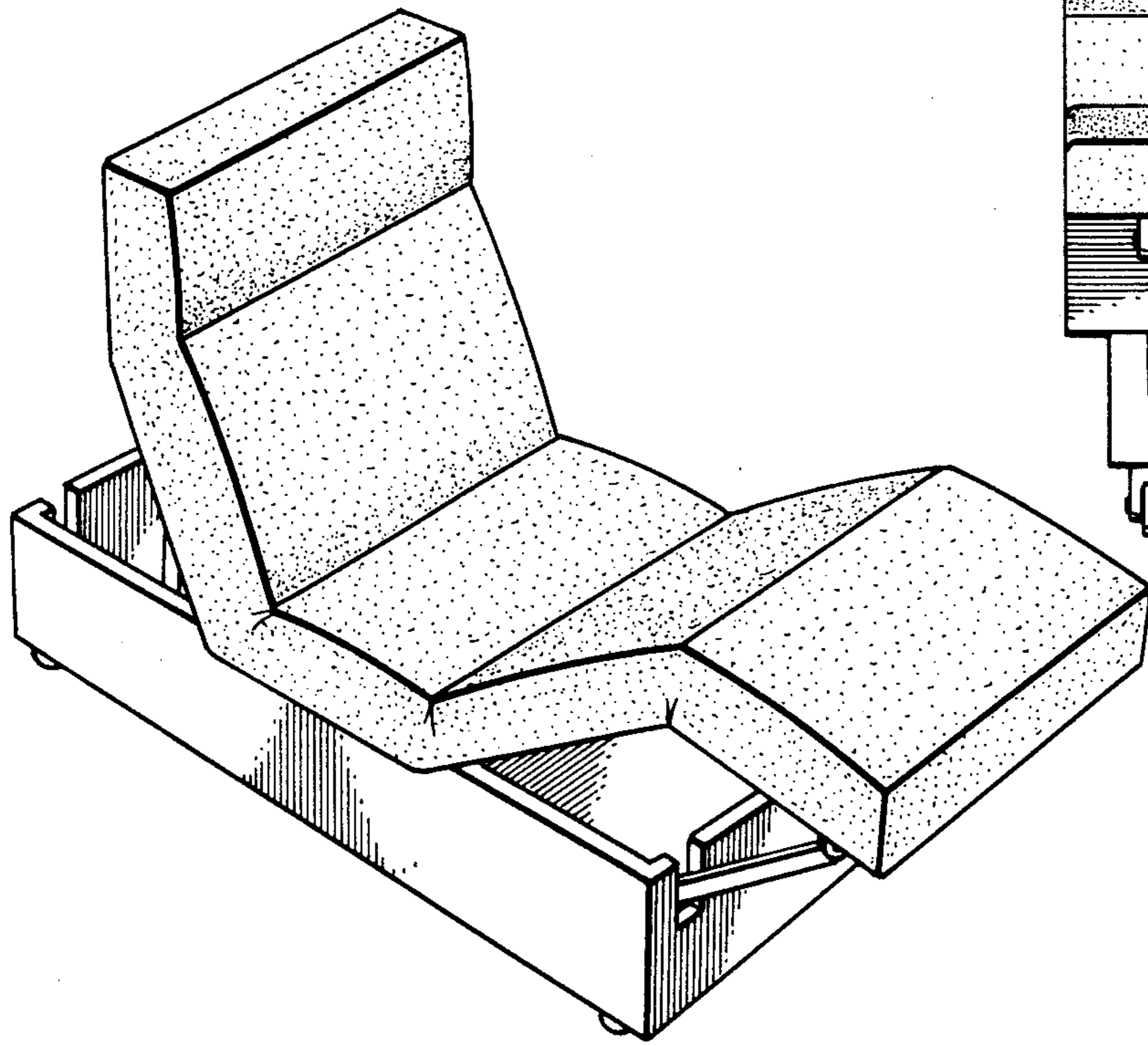


Fig. 4.

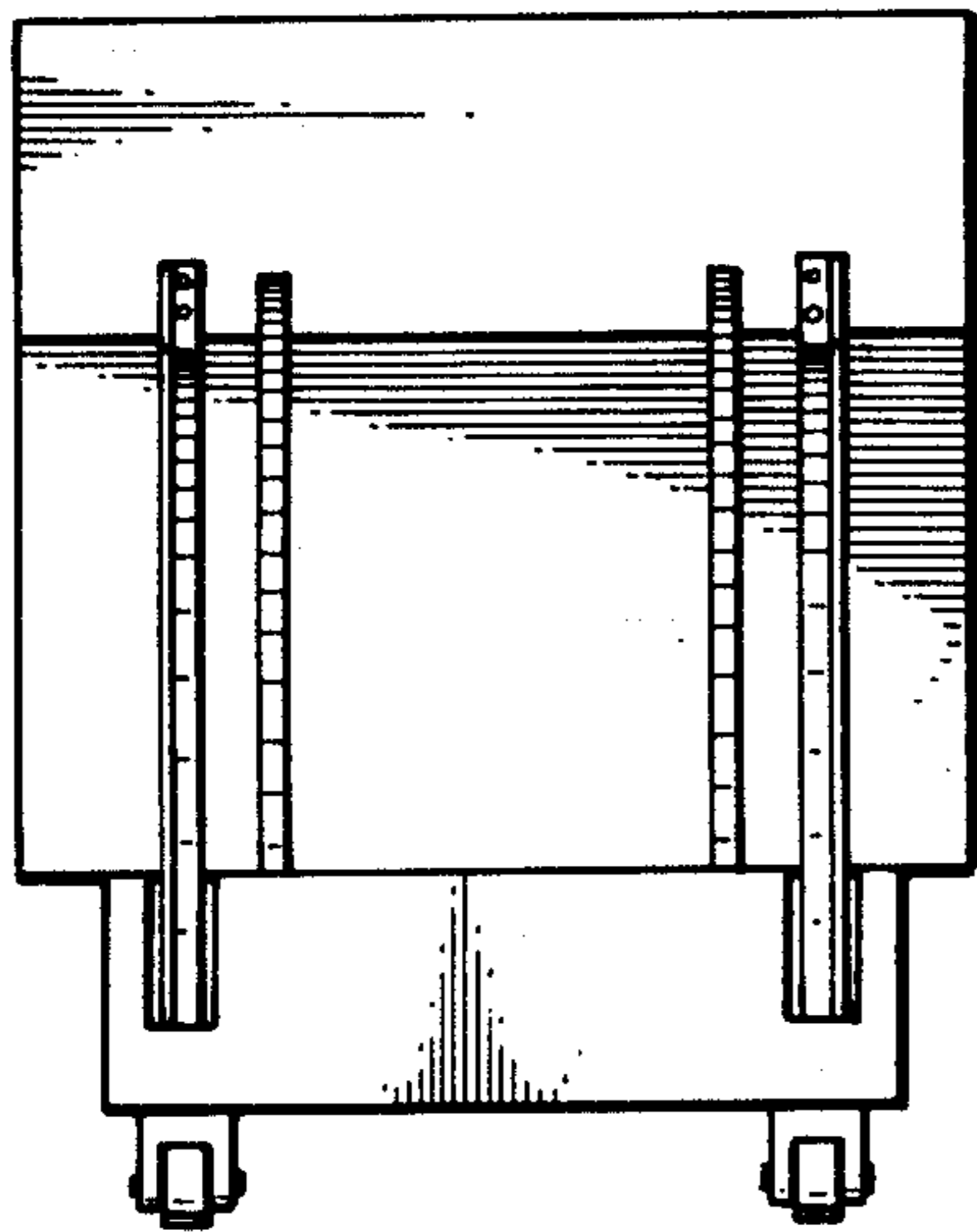
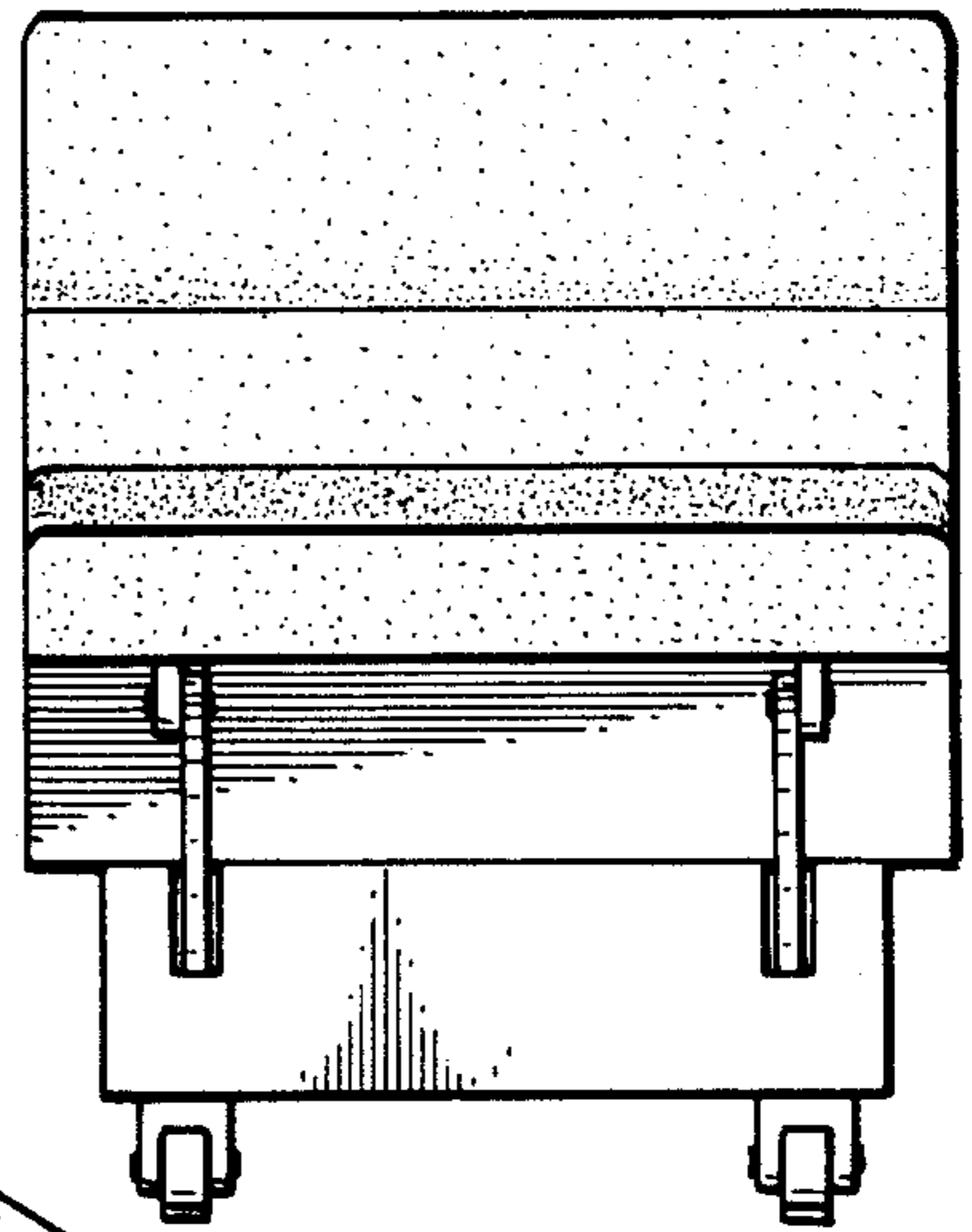


Fig. 3.

Fig. 2.

