

[54] TYPE ELEMENT STORAGE CONTAINER

[75] Inventor: Allan L. McCroskery, Weston, Conn.

[73] Assignee: International Business Machines Corporation, Armonk, N.Y.

[**] Term: 14 Years

[21] Appl. No.: 885,840

[22] Filed: Mar. 13, 1978

[51] Int. Cl. D3-02

[52] U.S. Cl. D3/30; D9/222; 400/175

[58] Field of Search D3/30, 35, 78; D9/183, D9/185, 193, 222, 237, 240; D18/12, 22, 23; 206/45.14, 45.19, 372, 392, 482, 444; 400/161.1, 171, 174, 175

[56] References Cited

U.S. PATENT DOCUMENTS

D. 159,157 6/1950 Koester D9/183

D. 189,405 12/1960 Strumpf et al. D9/240
3,924,724 12/1975 Kerzel 400/175
3,946,866 3/1976 Turnage 206/392

FOREIGN PATENT DOCUMENTS

2524758 12/1976 Fed. Rep. of Germany 400/175

Primary Examiner—Joel Stearman
Assistant Examiner—George P. Word
Attorney, Agent, or Firm—Laurence R. Letson

[57] CLAIM

The ornamental design for a type element storage container, substantially as shown and described.

DESCRIPTION

FIG. 1 is a side elevational view of a type element storage container showing my new design;
FIG. 2 is a top plan view thereof;
FIG. 3 is a bottom plan view thereof;
FIG. 4 is an exploded side elevational view thereof with the cover separated from the container; and
FIG. 5 is a cross-sectional view taken along line 5-5 of FIG. 2.

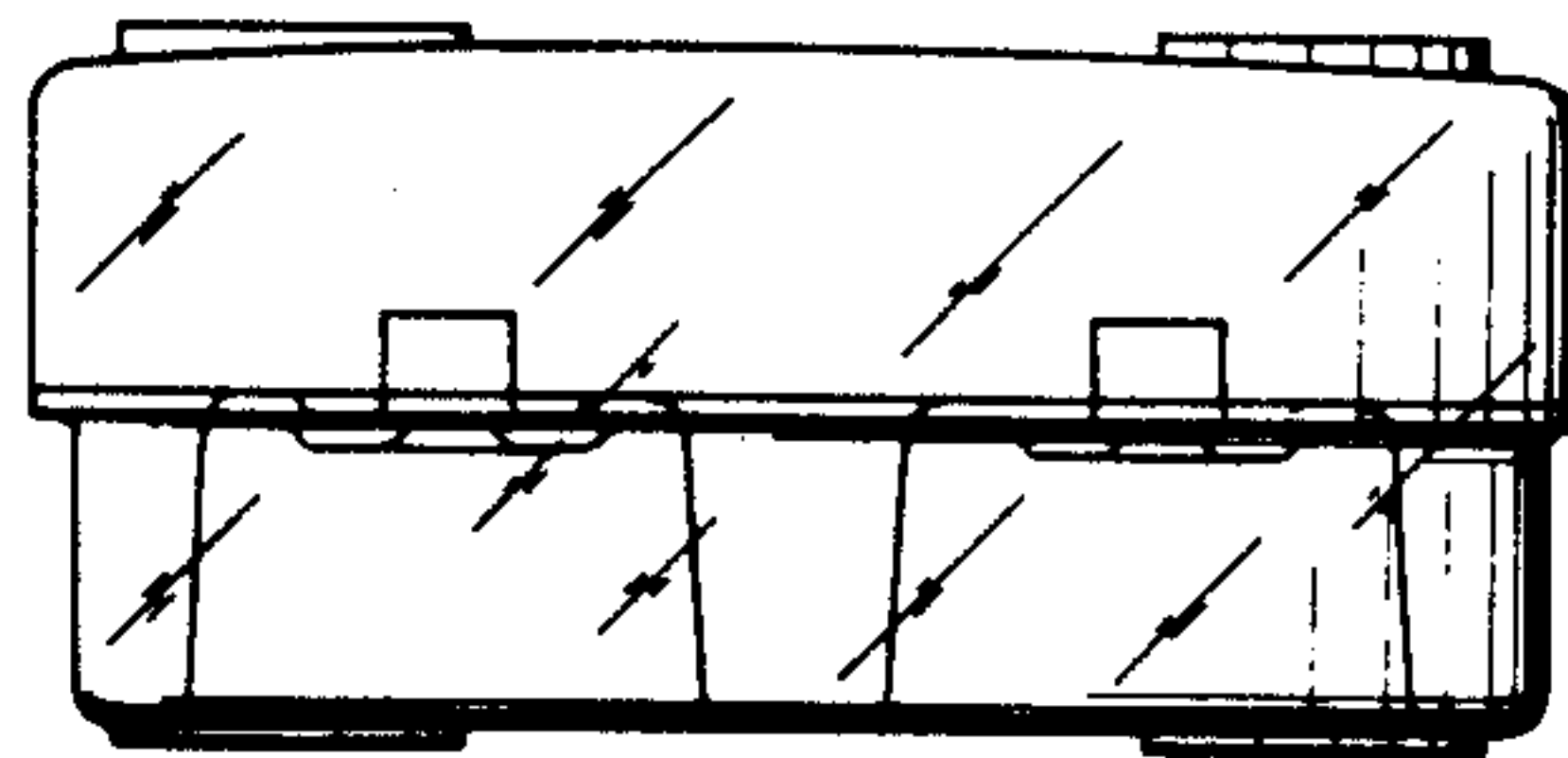
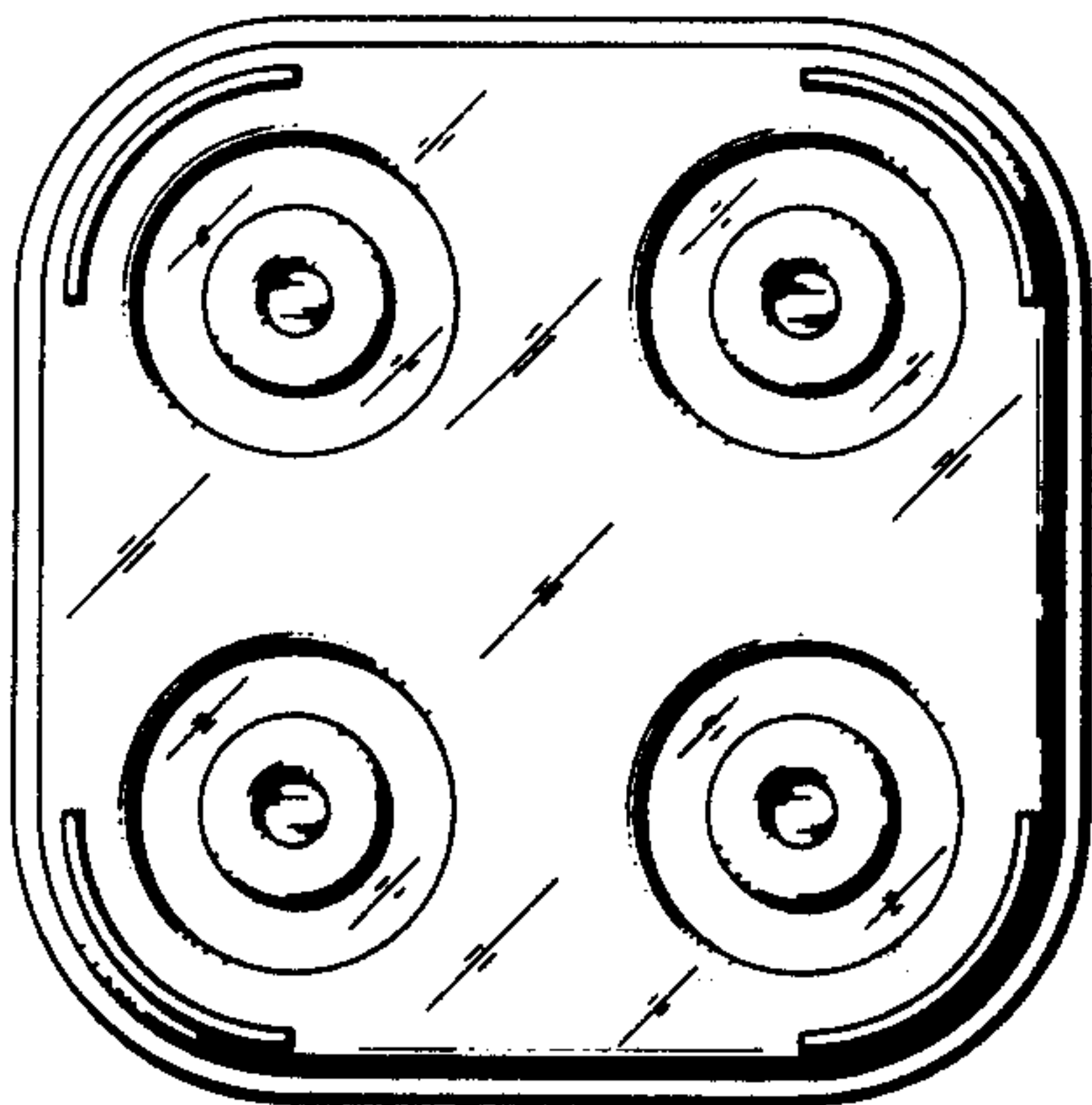


FIG. 1

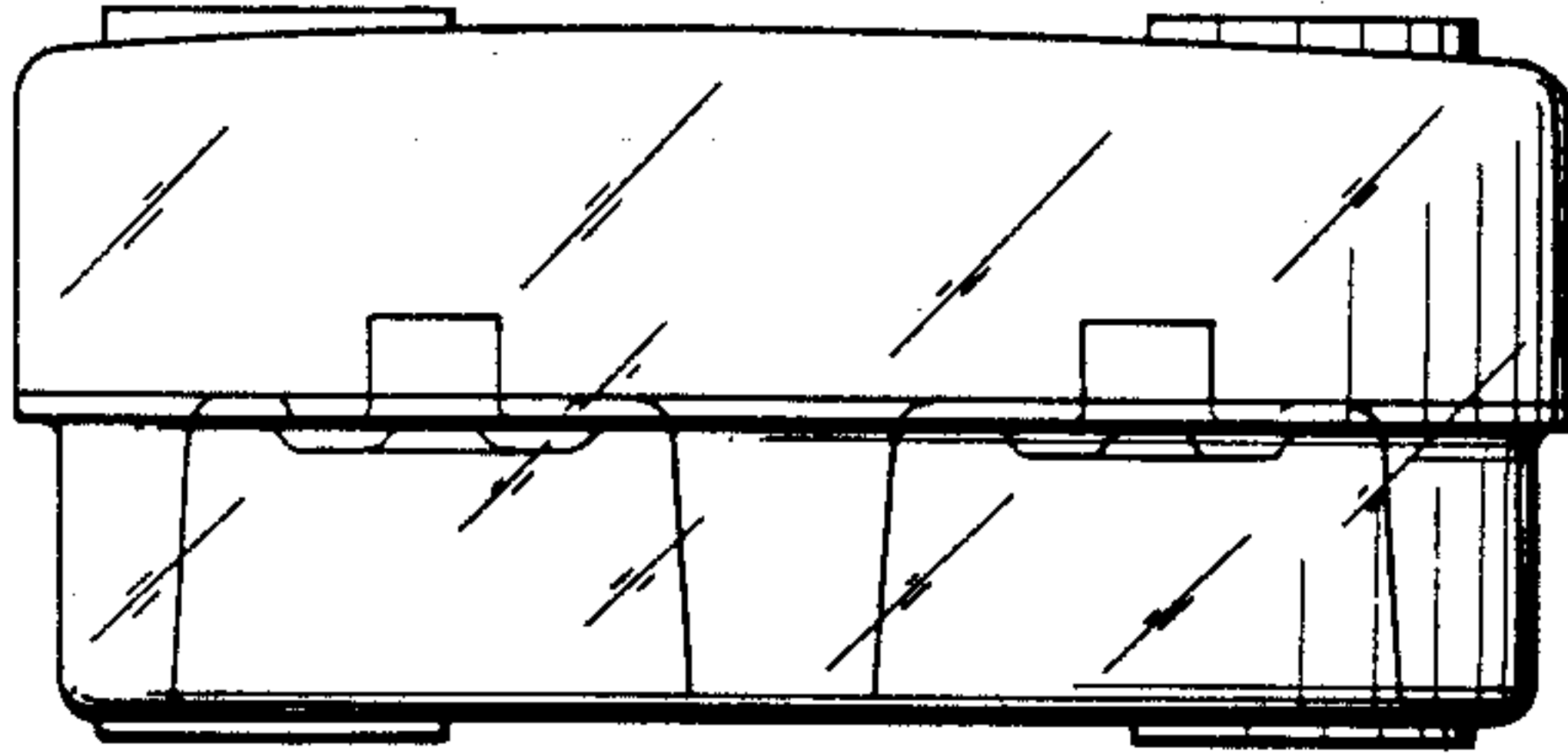


FIG. 2

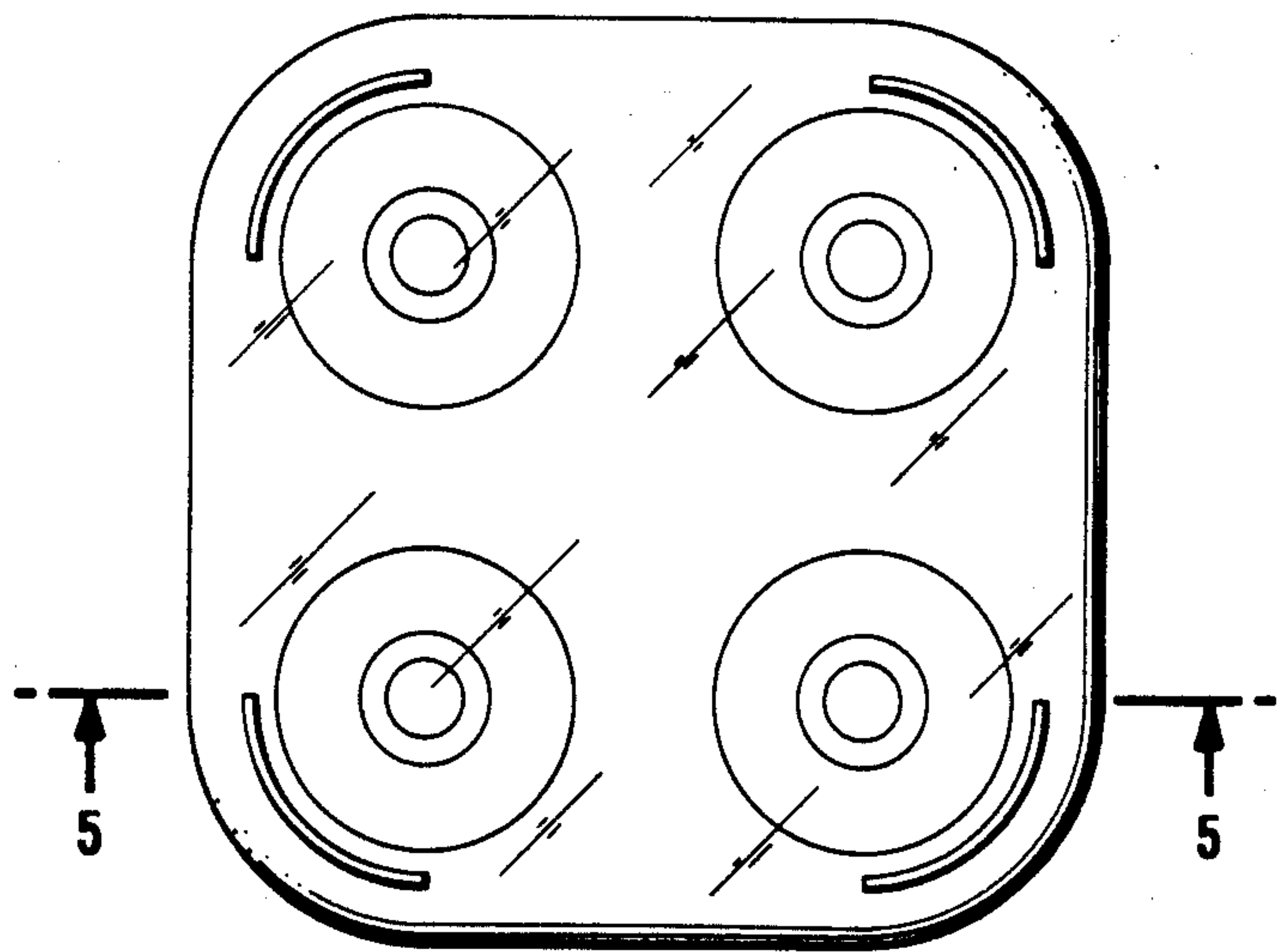


FIG. 3

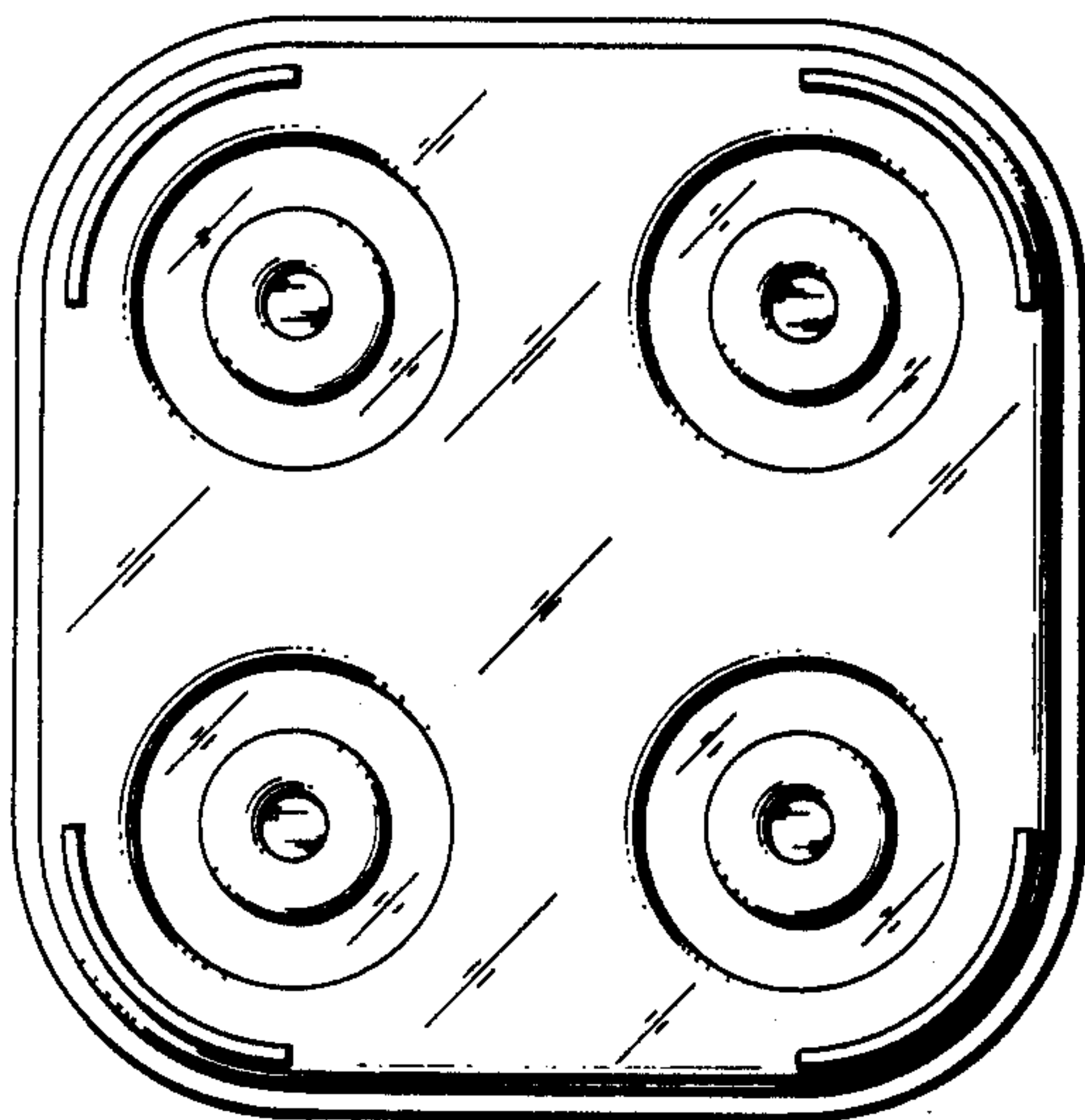


FIG. 4

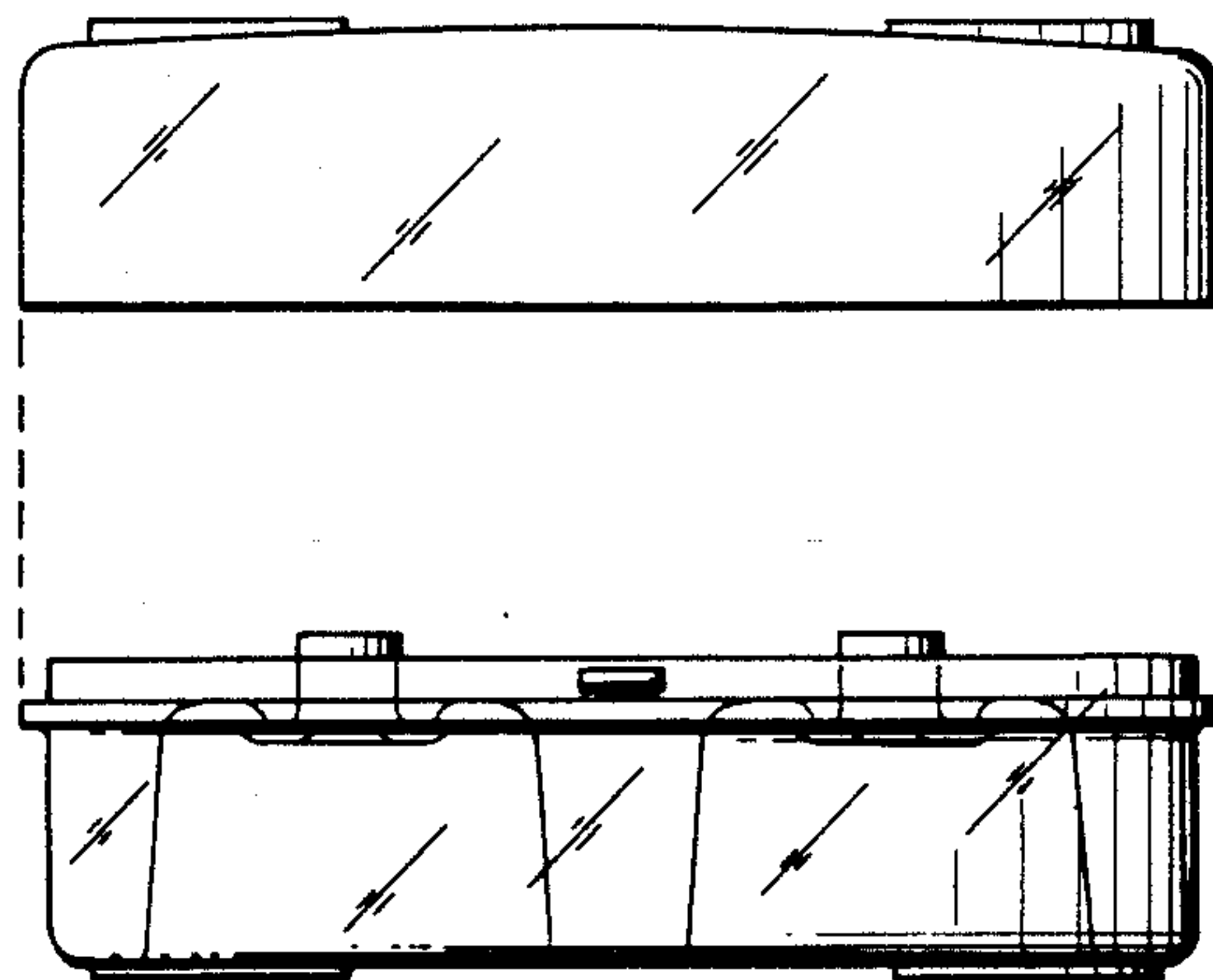


FIG. 5

