

[54] HYDROTHERAPY TUB

[76] Inventors: Gary G. Beebe, 13018 Lakeview Granada, Lakeside, Calif. 92040; Glen L. Peterson, 10981 Baroque La., San Diego, Calif. 92124

[**] Term: 14 Years

[21] Appl. No.: 891,158

[22] Filed: Mar. 28, 1978

[51] Int. Cl. D24-01; D23-02
[52] U.S. Cl. D24/38; D23/55; D25/2
[58] Field of Search D24/36, 38; D25/2; D23/55; 128/66, 366; 4/173, 175, 178, 172.15

[56] References Cited

U.S. PATENT DOCUMENTS

D. 206,143	11/1966	Jacuzzi	D24/36 X
D. 245,542	8/1977	Melcior	D24/38
D. 247,577	3/1978	Di Giacomo	D24/38
D. 247,977	5/1978	Jacuzzi	D24/38
3,688,775	9/1972	Raymann	128/366
3,952,338	4/1976	Traxclair	4/172.15

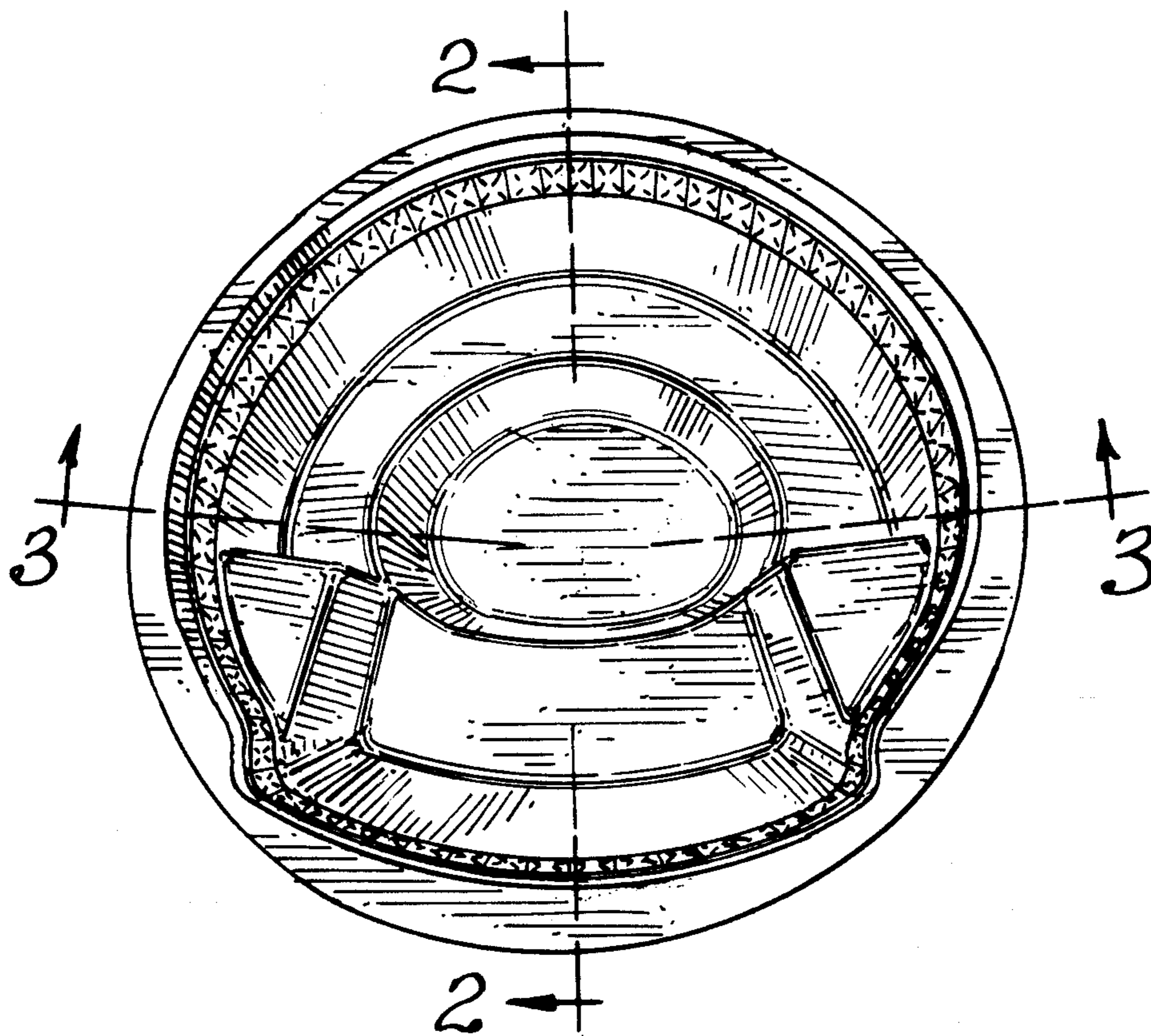
Primary Examiner—Bernard Ansher
Attorney, Agent, or Firm—Laurance E. Banghart

[57] CLAIM

The ornamental design for a hydrotherapy tub, as shown.

DESCRIPTION

FIG. 1 is a top perspective view of a hydrotherapy tub showing our new design;
FIG. 2 is a cross-section taken on line 2-2 of FIG. 1; and
FIG. 3 is a cross-section taken on line 3-3 of FIG. 1.



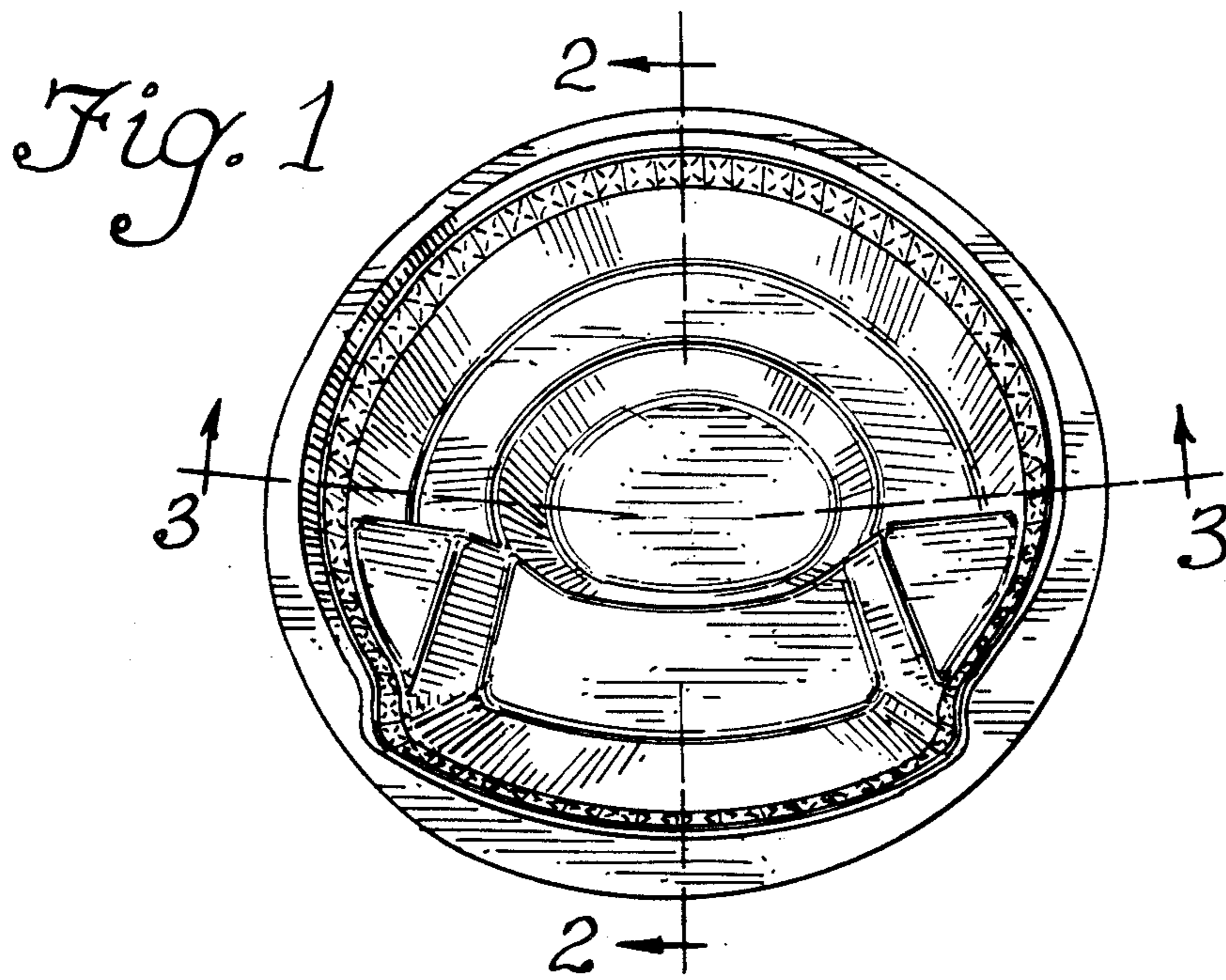


Fig. 2

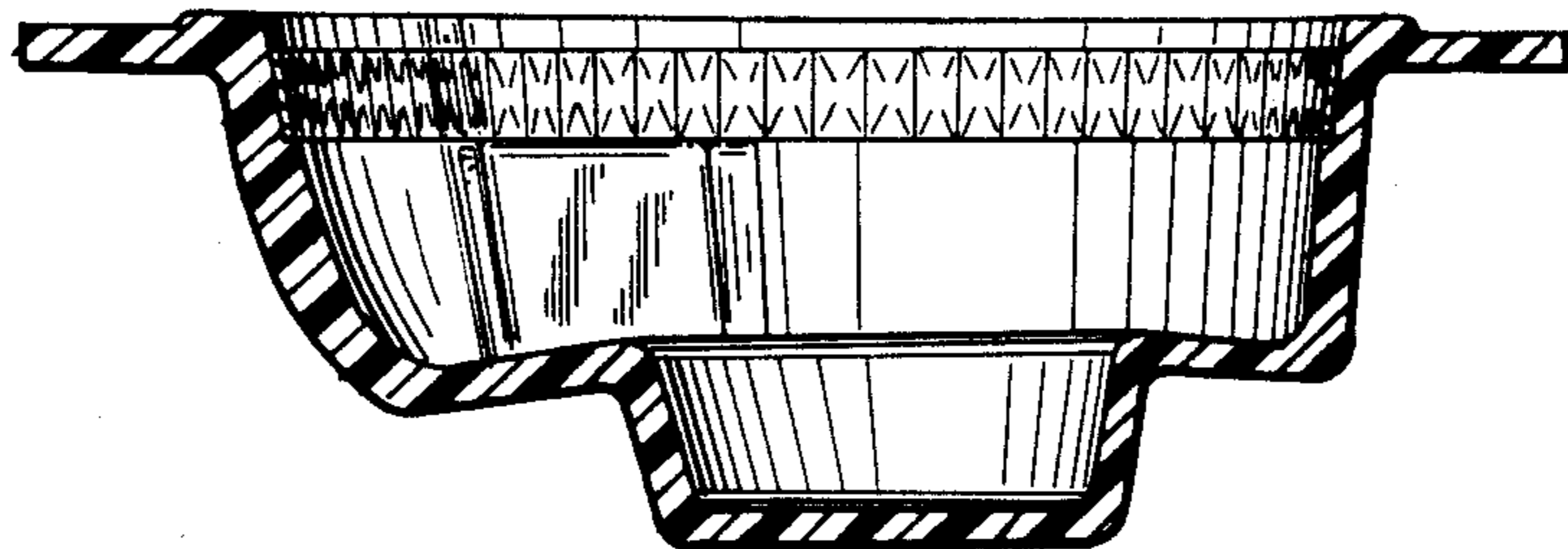


Fig. 3

