

[54] BLOOD PRESSURE MEASURING DEVICE

[75] Inventor: Helmut Schmidt, Mannheim, Fed. Rep. of Germany

[73] Assignee: Labora Mannheim GmbH für Labortechnik, Mannheim, Fed. Rep. of Germany

[**] Term: 14 Years

[21] Appl. No.: 866,201

[22] Filed: Dec. 30, 1977

[30] Foreign Application Priority Data

Jul. 2, 1977 [DE] Fed. Rep. of Germany 1123

[51] Int. Cl. D24-02

[52] U.S. Cl. D24/21; D10/52

[58] Field of Search D24/21, 8, 17; 128/2.05 G, 2.05 M, 2.05 A; 73/731, 146.3, 7, 5; D10/52

[56] References Cited

U.S. PATENT DOCUMENTS

- D. 232,781 9/1974 Raczkowski et al. D24/21
- D. 243,799 3/1977 Bell D24/21

- D. 244,235 5/1977 Lichowsky D24/21
- D. 245,203 7/1977 Cuccio D24/21
- D. 248,490 7/1978 Manno D24/17
- D. 250,046 10/1978 Ohie et al. D24/21
- 3,911,904 10/1975 Saba D24/21 X

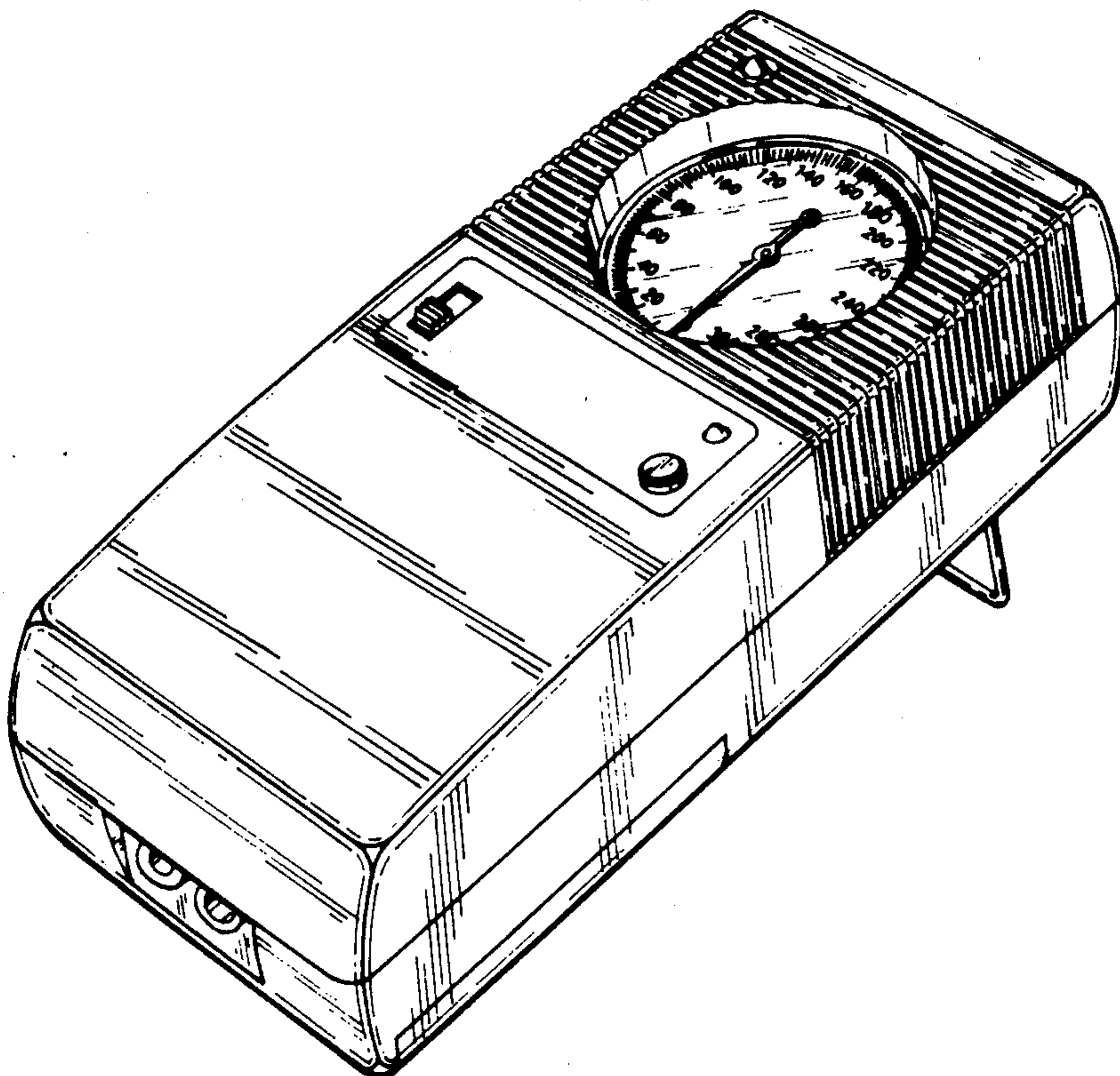
Primary Examiner—Bernard Ansher
Attorney, Agent, or Firm—Sprung, Felfe, Horn, Lynch & Kramer

[57] CLAIM

The ornamental design for a blood pressure measuring device, as shown.

DESCRIPTION

FIG. 1 is a top perspective view of a blood measuring device showing my new design;
 FIG. 2 is a top perspective view thereof, with the wire stand omitted for clarity of illustration;
 FIG. 3 is a side elevation of FIG. 1;
 FIG. 4 is a top plan view thereof;
 FIG. 5 is a side elevation of FIG. 2;
 FIG. 6 is a front elevation thereof;
 FIG. 7 is a rear elevation thereof;
 FIG. 8 is a bottom plan view thereof; and
 FIG. 9 is an elevation as seen from the side opposite FIG. 5.



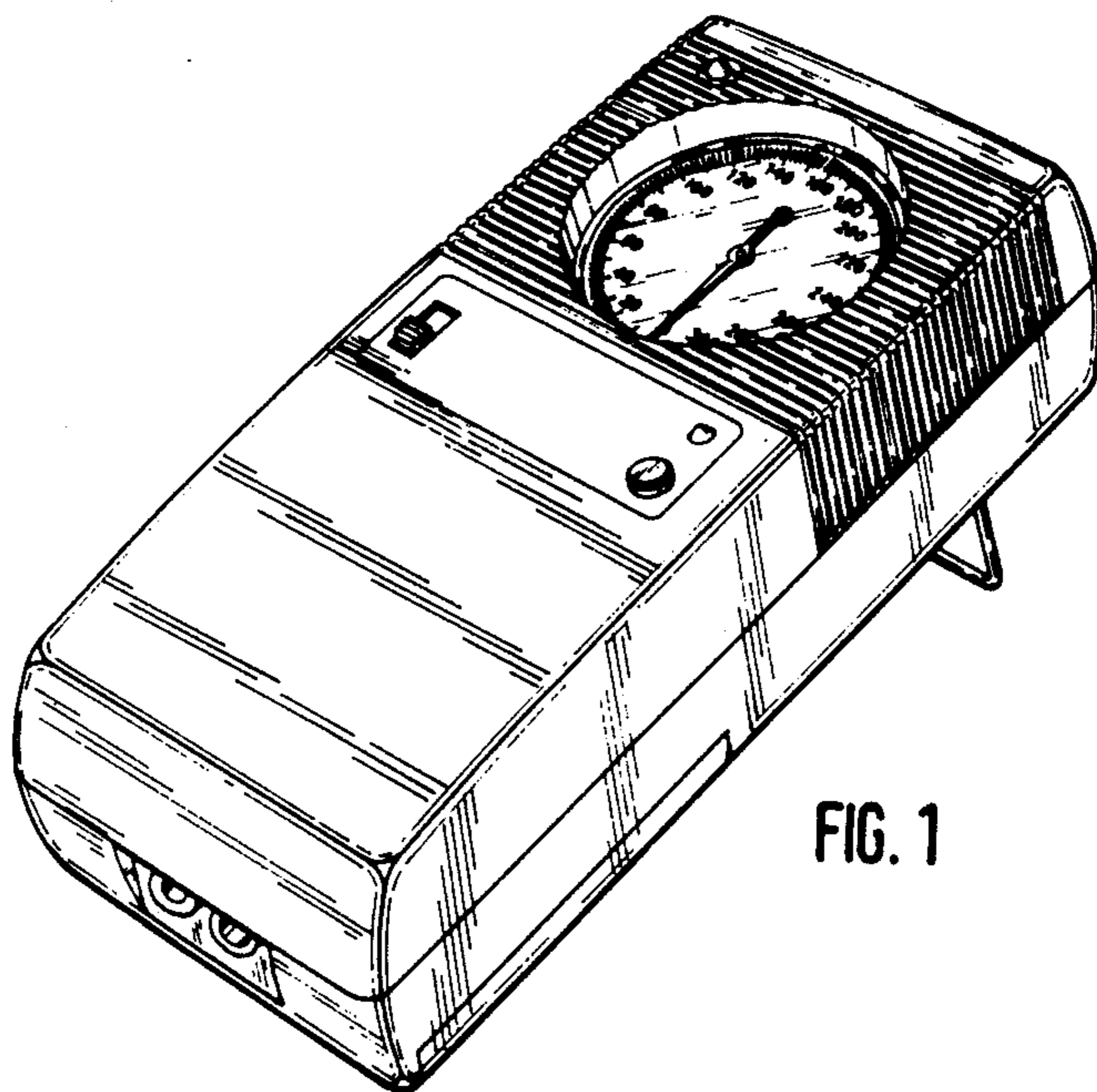


FIG. 1

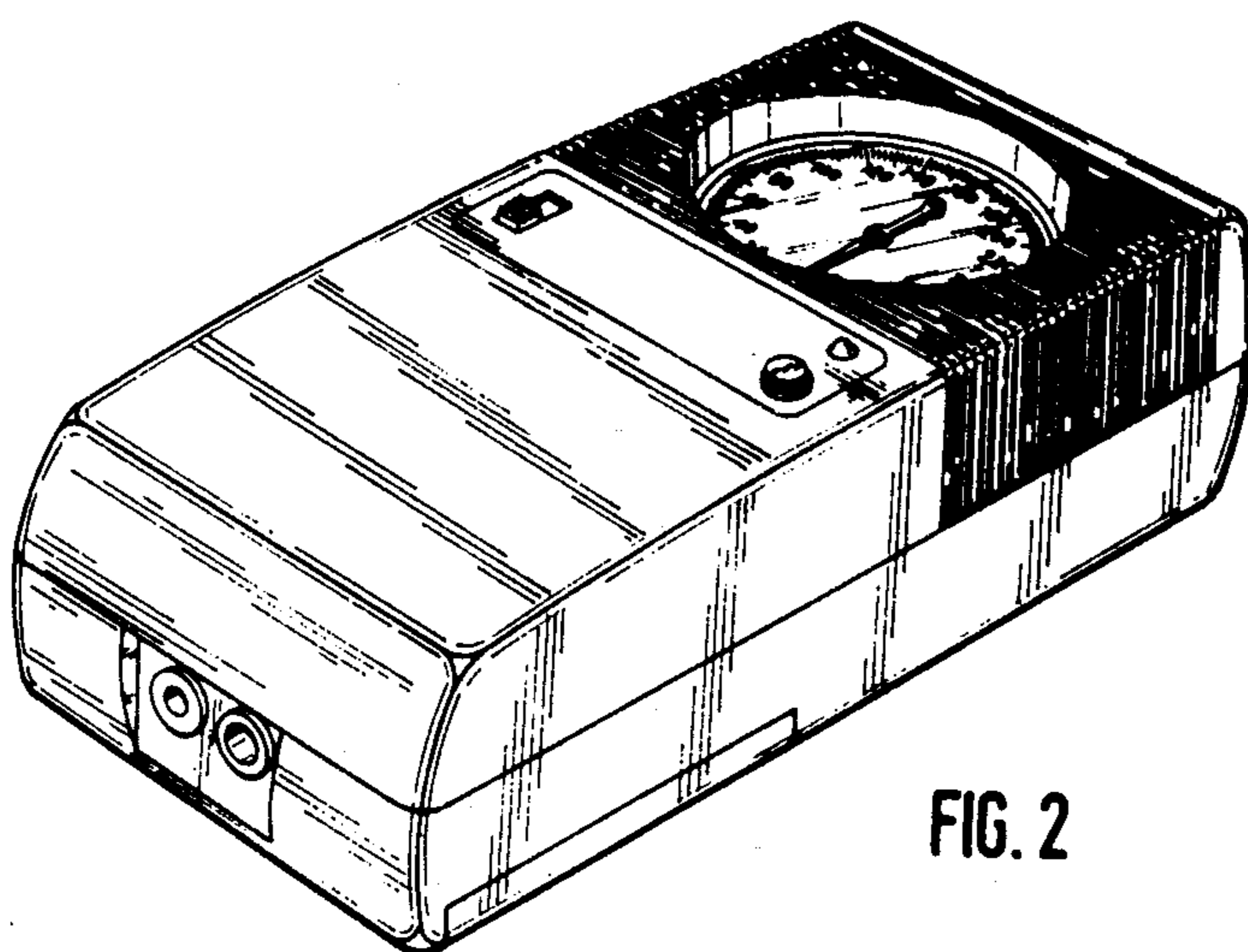


FIG. 2

FIG. 3

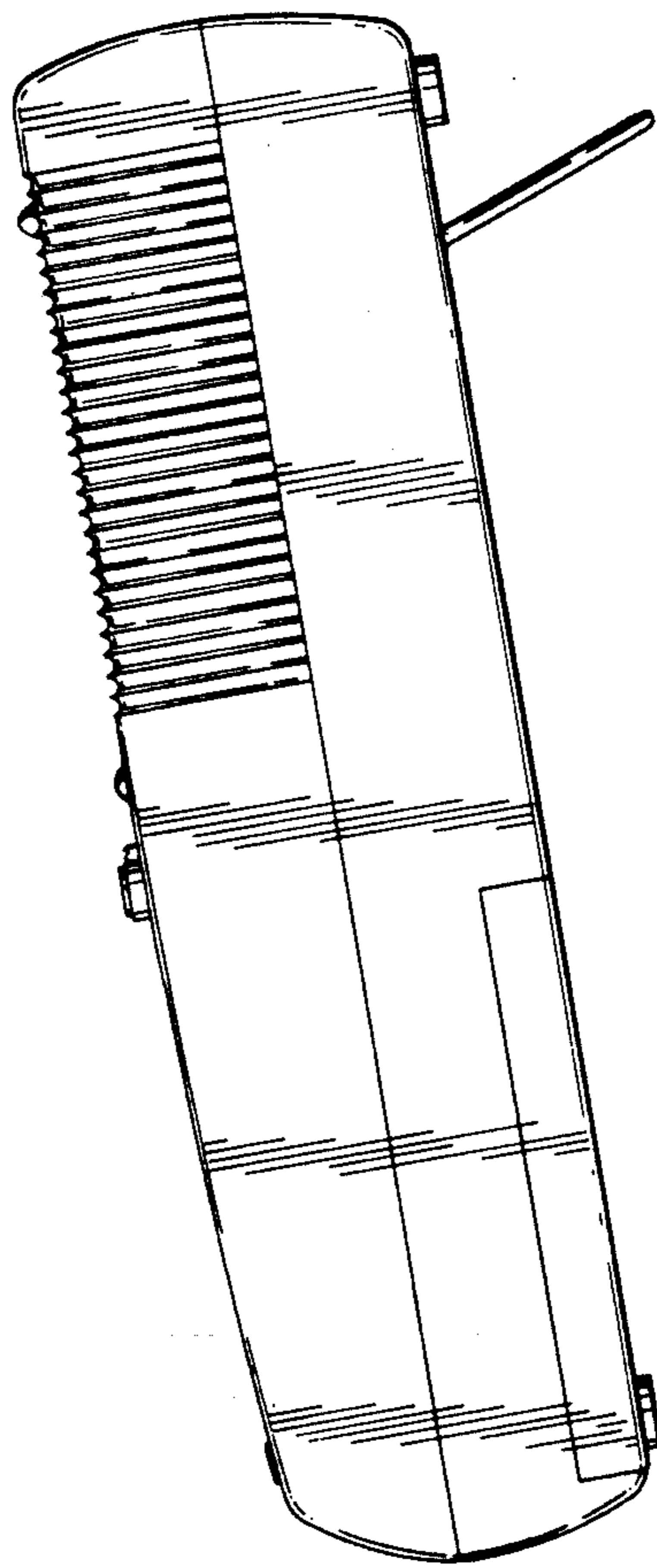


FIG. 4

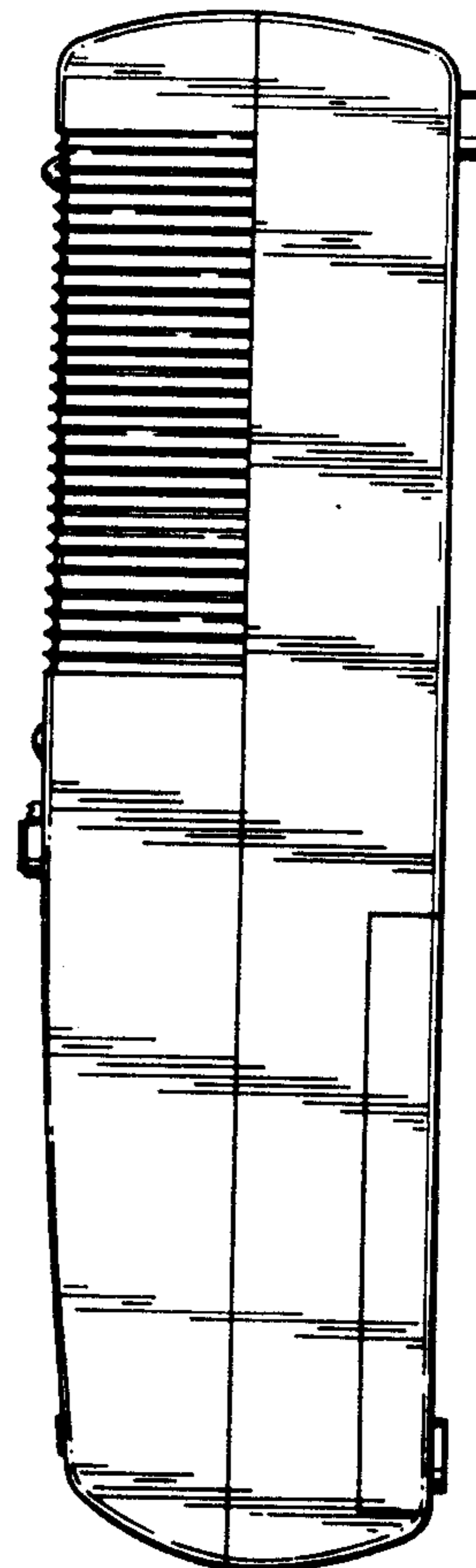
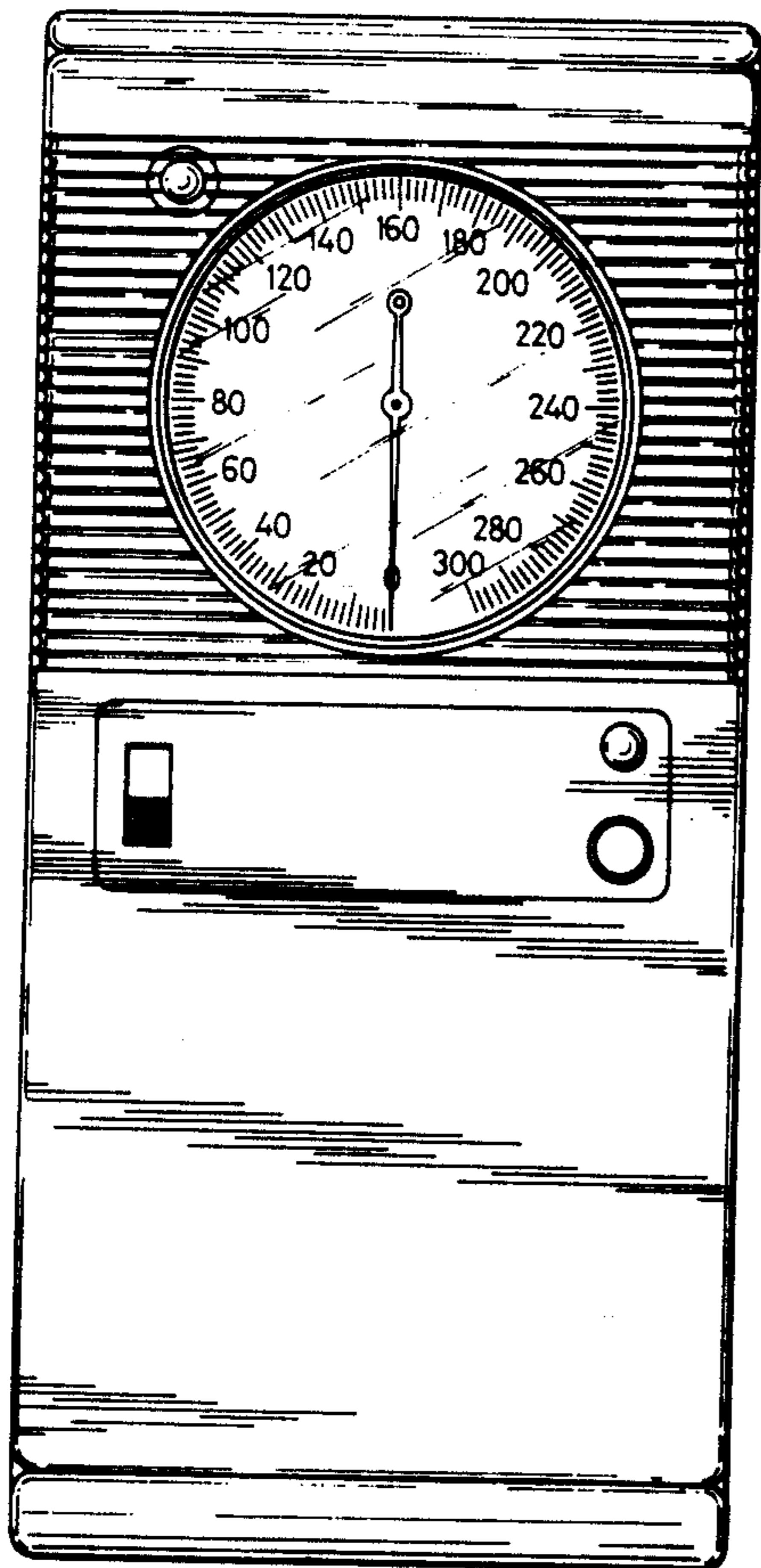


FIG. 5

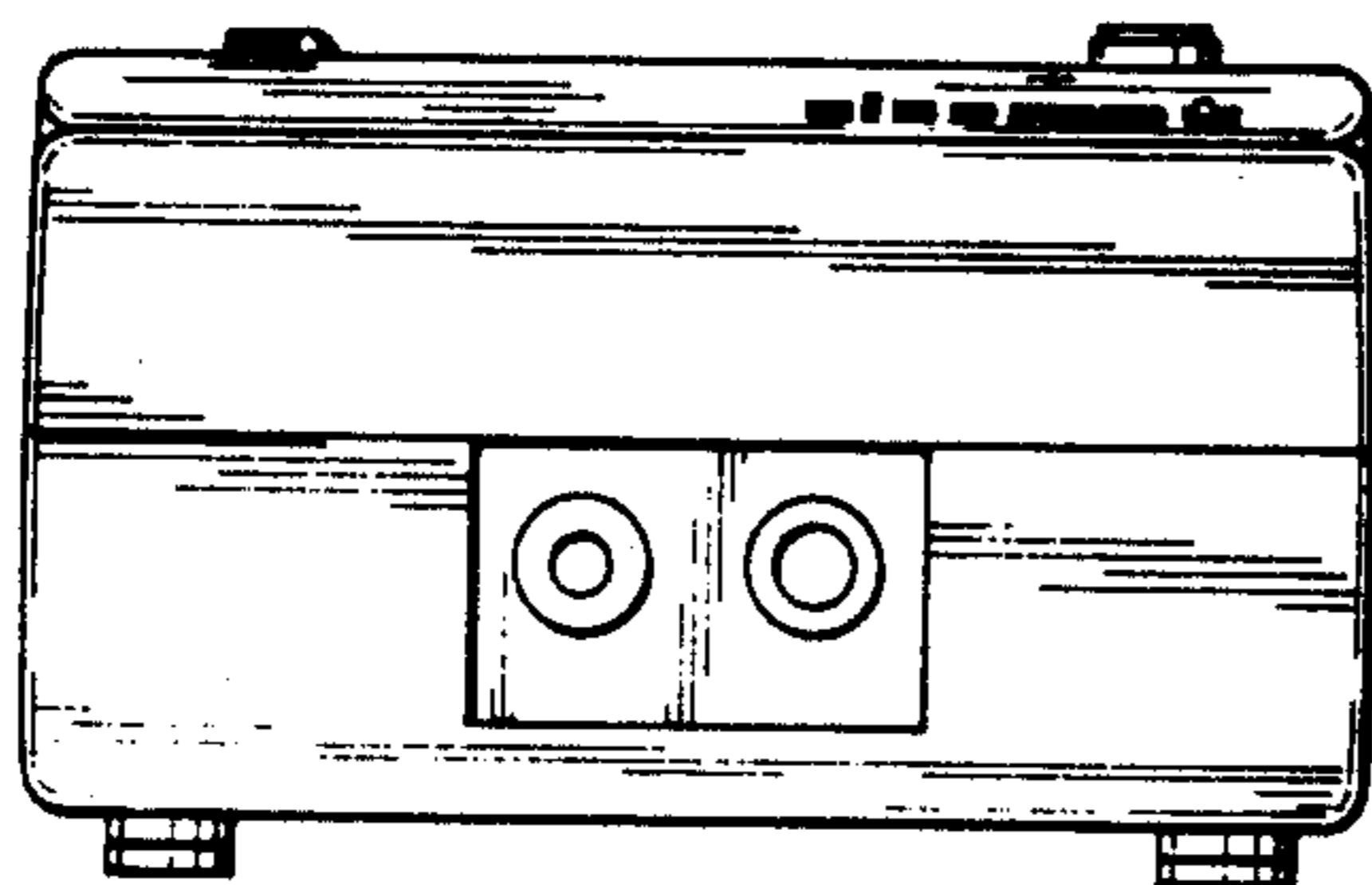


FIG. 6

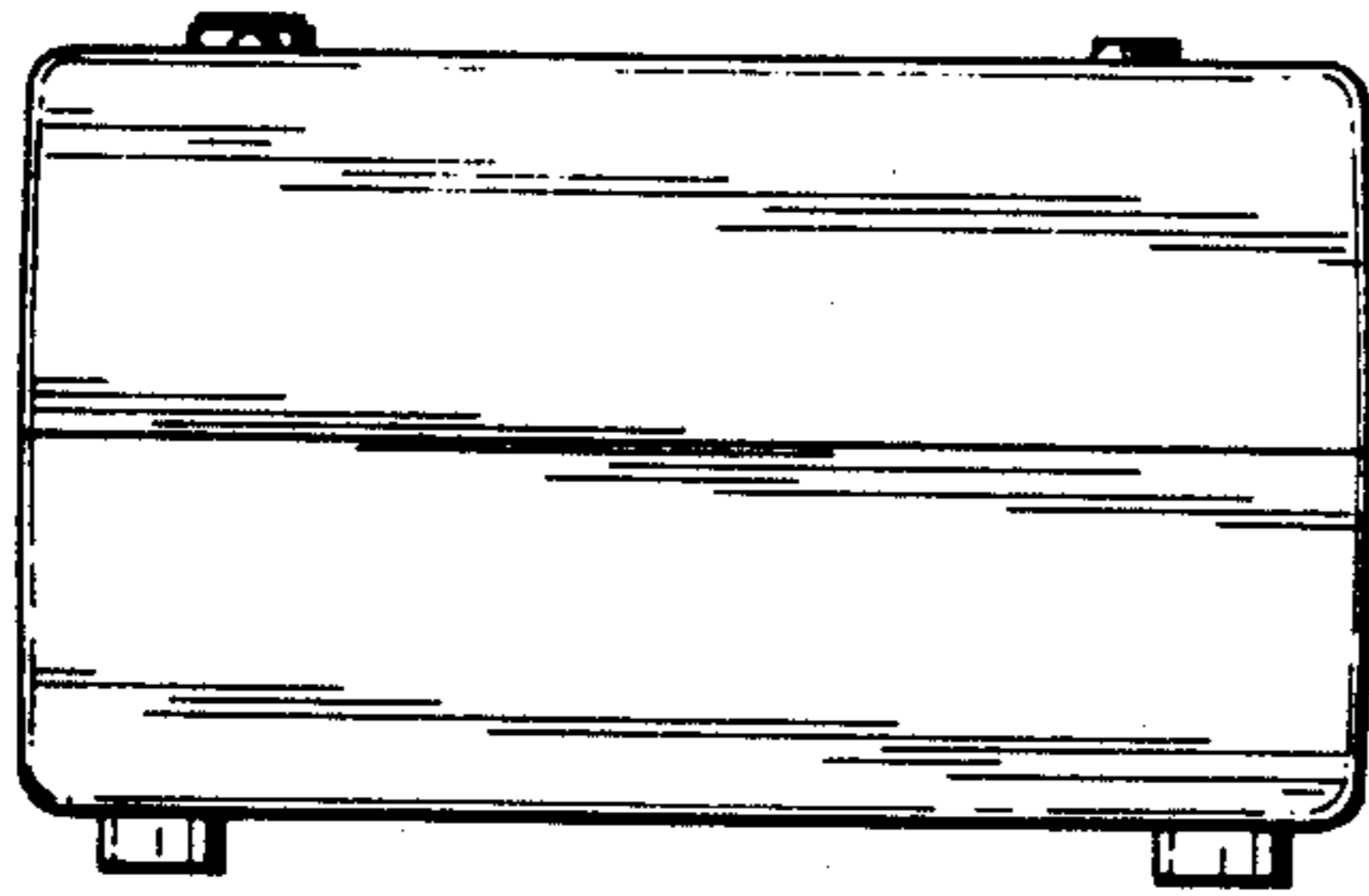


FIG. 7

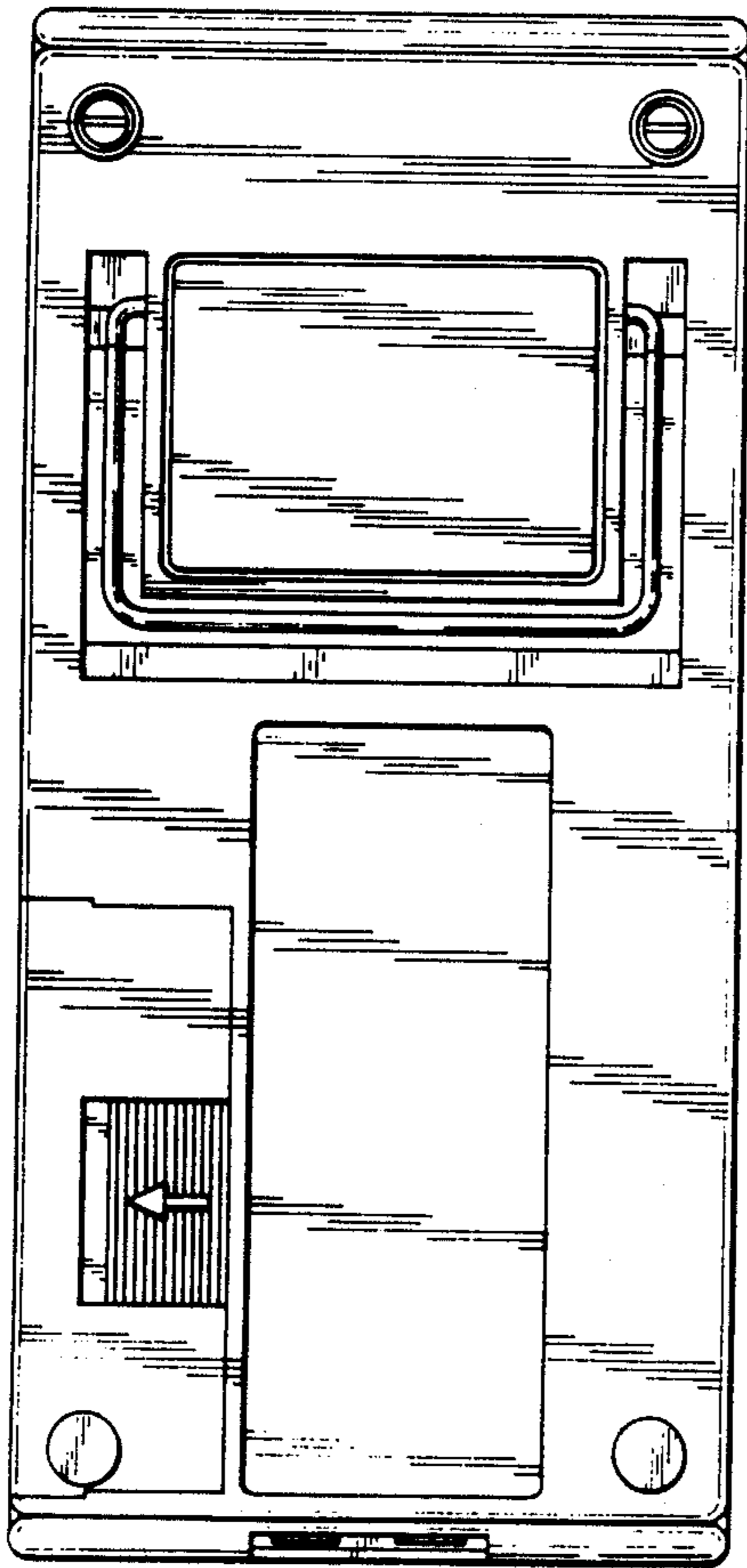


FIG. 8

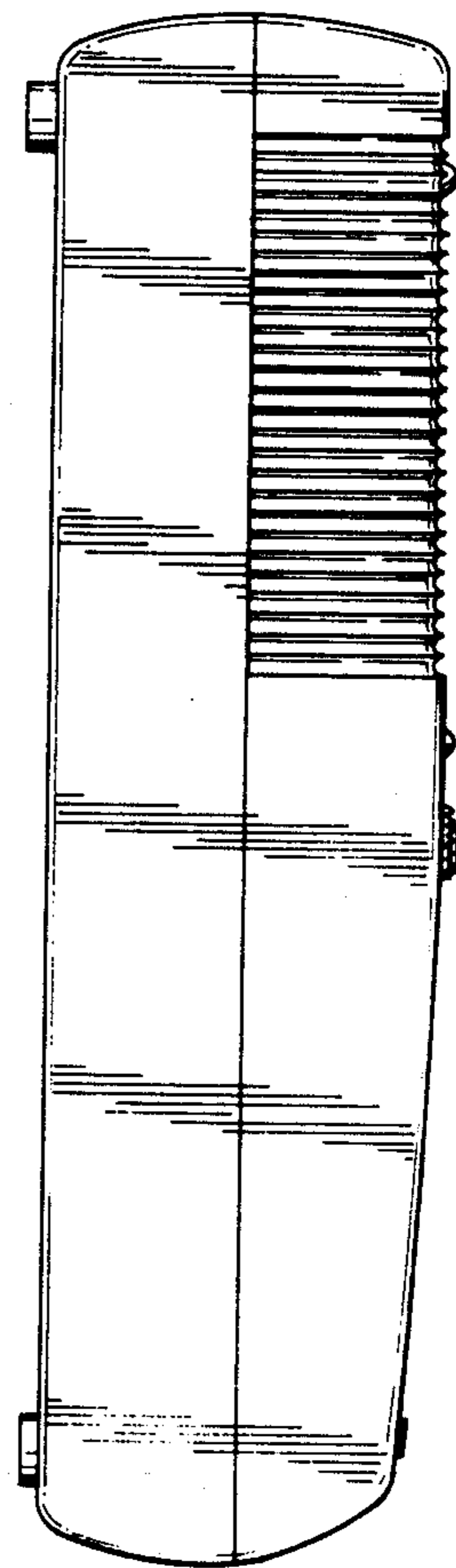


FIG. 9