

[54] SOLAR WATER HEATING UNIT

[75] Inventor: Harry J. Riley, Perth, Australia

[73] Assignee: S. W. Hart & Co, Australia

[\*\*] Term: 14 Years

[21] Appl. No.: 841,635

[22] Filed: Oct. 12, 1977

[51] Int. Cl. .... D23—03

[52] U.S. Cl. .... D23/127

[58] Field of Search ..... D23/72, 127; 126/270, 126/271

[56] References Cited

U.S. PATENT DOCUMENTS

D. 244,607	6/1977	Riley .....	D23/127
D. 244,608	6/1977	Riley .....	D23/127
1,889,238	11/1932	Clark .....	126/271
4,084,578	4/1978	Ishibashi .....	126/271

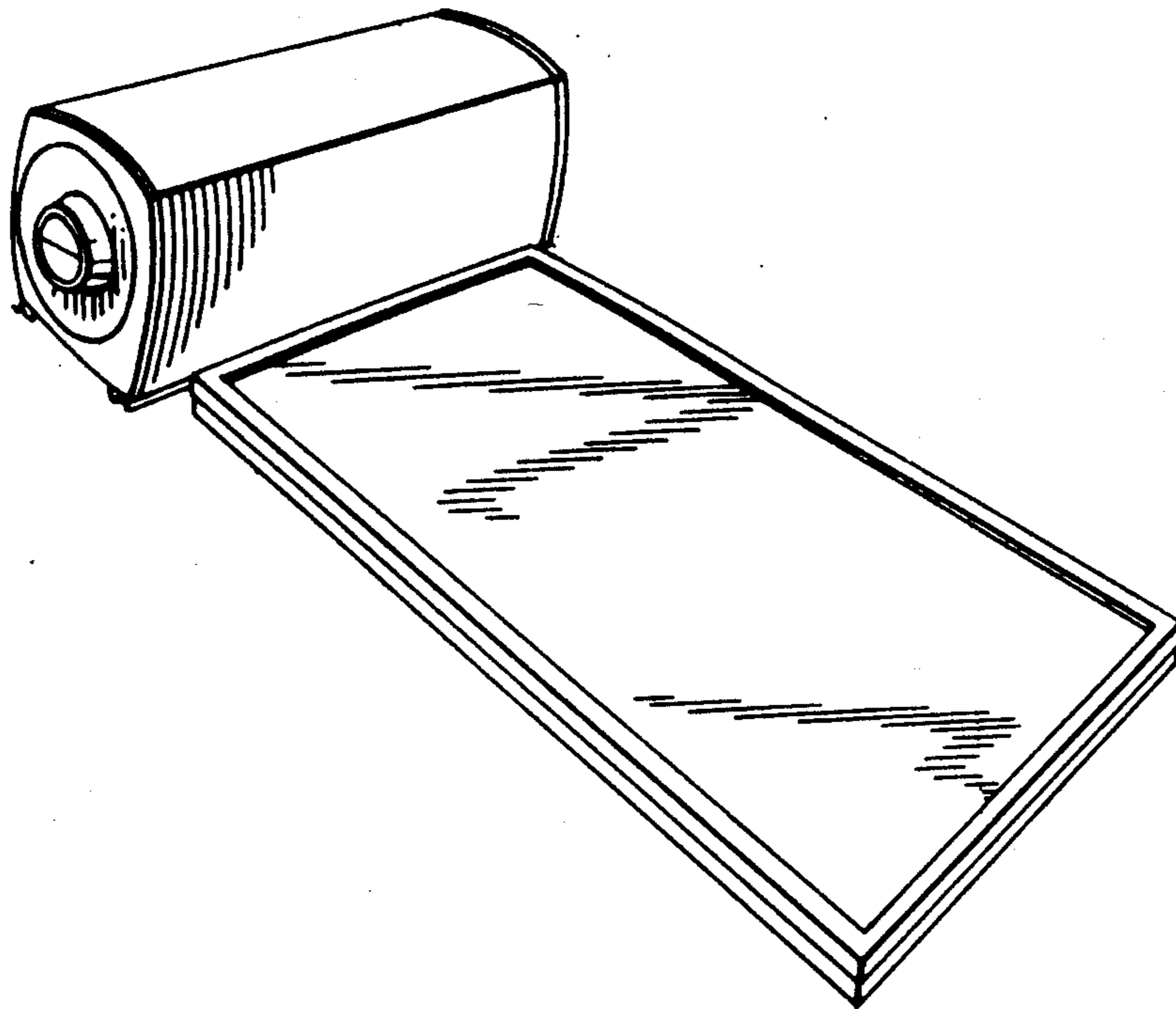
Primary Examiner—Catherine E. Kemper  
Attorney, Agent, or Firm—William A. Drucker

[57] CLAIM

The ornamental design for a solar water heating unit, as shown and described.

DESCRIPTION

FIG. 1 is a top, front perspective view of a solar water heating unit, showing my new design;  
FIG. 2 is a left side elevational view, shown on a slightly larger scale;  
FIG. 3 is a top, rear perspective view thereof;  
FIG. 4 is a bottom perspective view thereof.



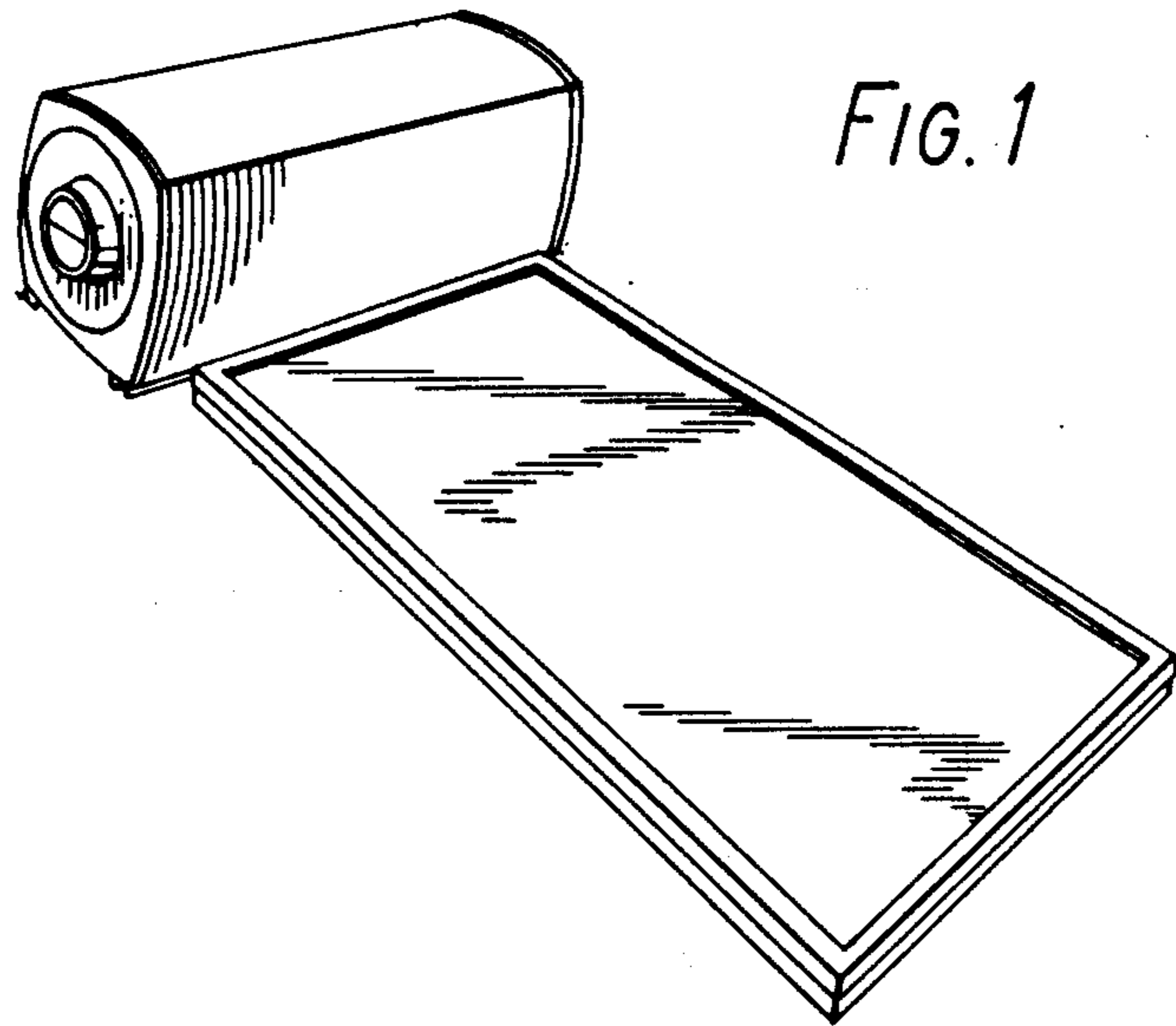


FIG. 1

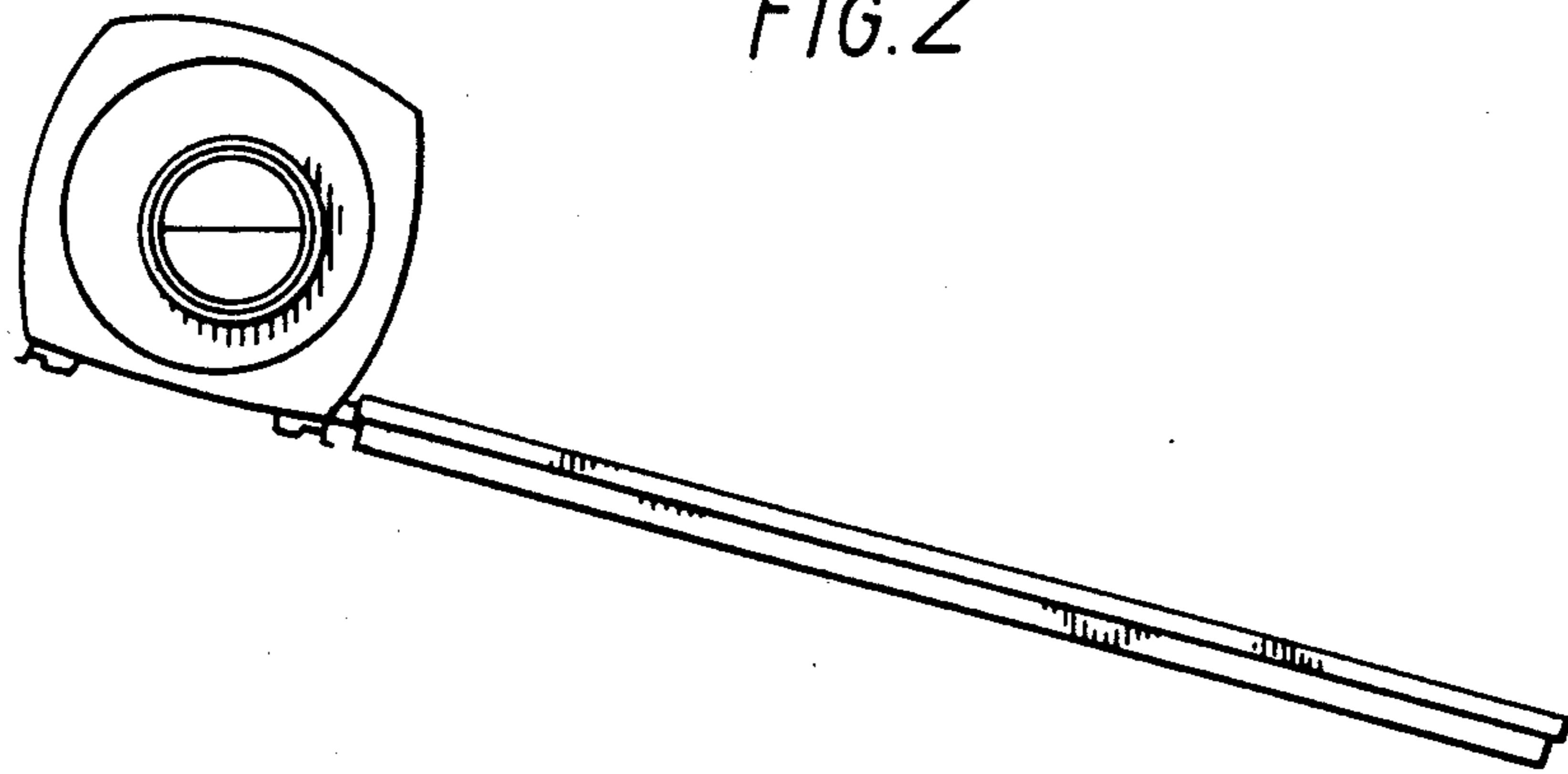


FIG. 2

FIG. 3

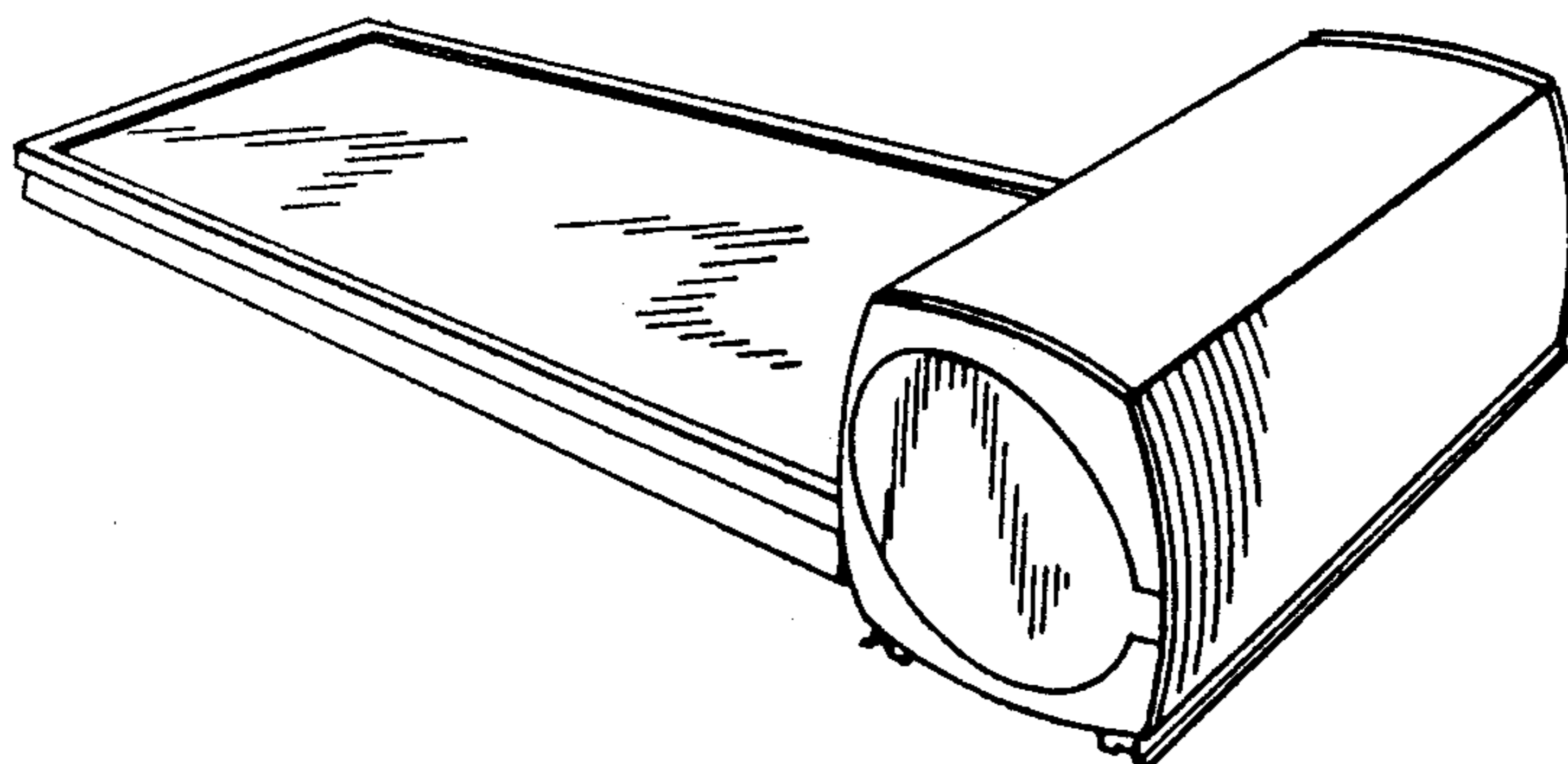


FIG. 4

