

[54] **BASE FOR SPRINKLER SYSTEM**  
 [75] **Inventor:** Philip L. Tropeano, Lexington, Mass.  
 [73] **Assignee:** Larchmont Engineering and Irrigation, Inc., Lexington, Mass.  
 [\*\*] **Term:** 14 Years  
 [21] **Appl. No.:** 857,877  
 [22] **Filed:** Dec. 5, 1977  
 [51] **Int. Cl.** ..... D23—01  
 [52] **U.S. Cl.** ..... D23/7  
 [58] **Field of Search** ..... D23/6-12;  
 D6/112; D12/26; D8/358, 359; 239/188-190,  
 199

|            |         |                 |           |
|------------|---------|-----------------|-----------|
| D. 164,546 | 9/1951  | Becker .....    | D8/359    |
| D. 193,884 | 10/1962 | Beinert .....   | D23/7     |
| 588,846    | 8/1897  | White .....     | 239/199   |
| 1,064,883  | 6/1913  | Bergland .....  | 239/199   |
| 1,202,718  | 10/1916 | Holmes .....    | 239/199 X |
| 1,653,103  | 12/1927 | Keys .....      | 239/199   |
| 3,126,156  | 3/1964  | Rinkewich ..... | 239/189 X |
| 3,246,848  | 4/1966  | Bowers .....    | 239/190 X |
| 3,512,715  | 5/1970  | Bryant .....    | 239/189   |

*Primary Examiner*—James R. Largen  
*Attorney, Agent, or Firm*—Gerald H. Glanzman

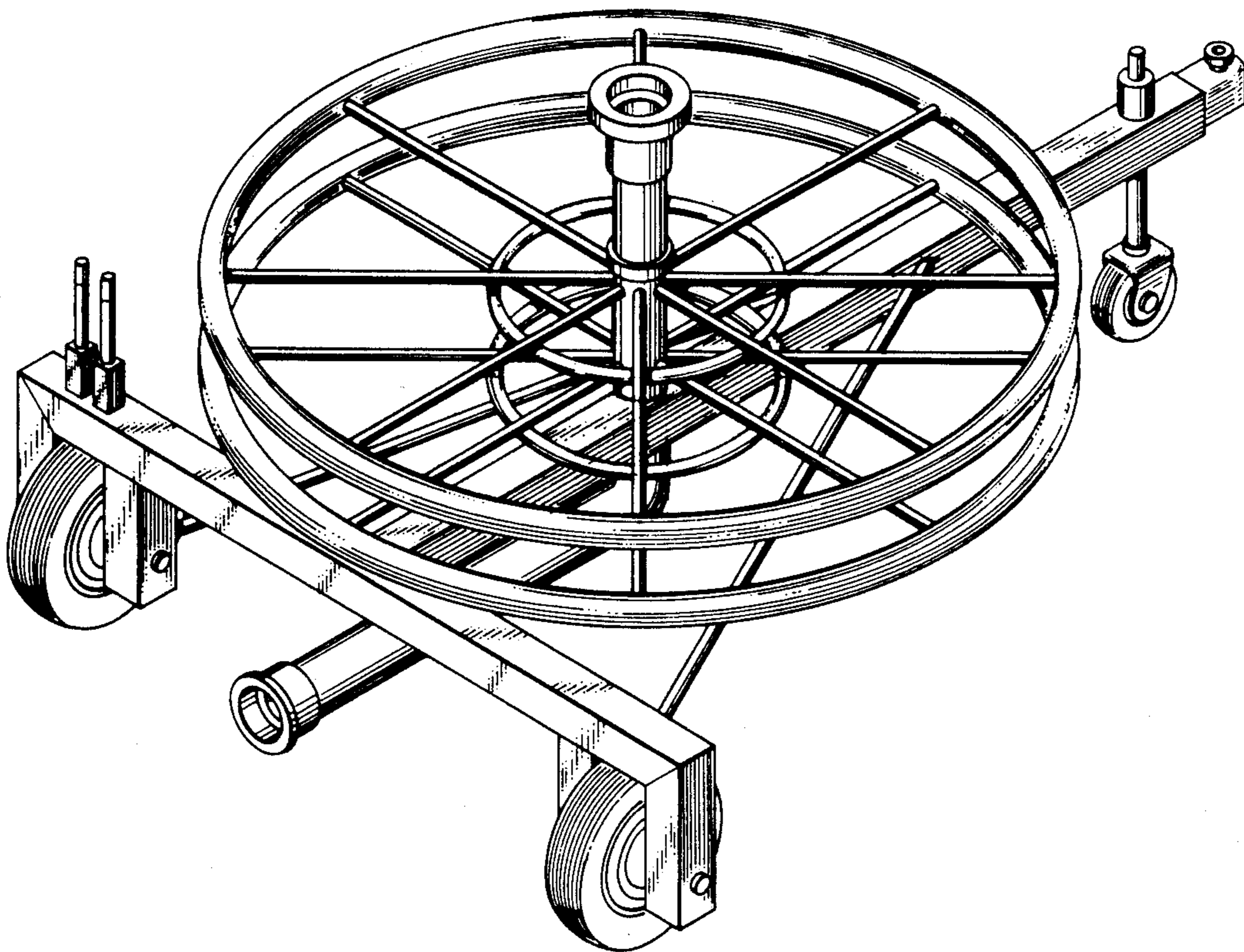
[57] **CLAIM**

The ornamental design for a base for a sprinkler system, as shown.

**DESCRIPTION**

FIG. 1 is a front perspective view of a base for sprinkler system showing my new design.  
 FIG. 2 is a top plan view thereof.  
 FIG. 3 is a front elevation view thereof.

[56] **References Cited**  
**U.S. PATENT DOCUMENTS**  
 D. 147,372 8/1947 Marsh ..... D8/359  
 D. 151,274 10/1948 Kirschner ..... D8/358



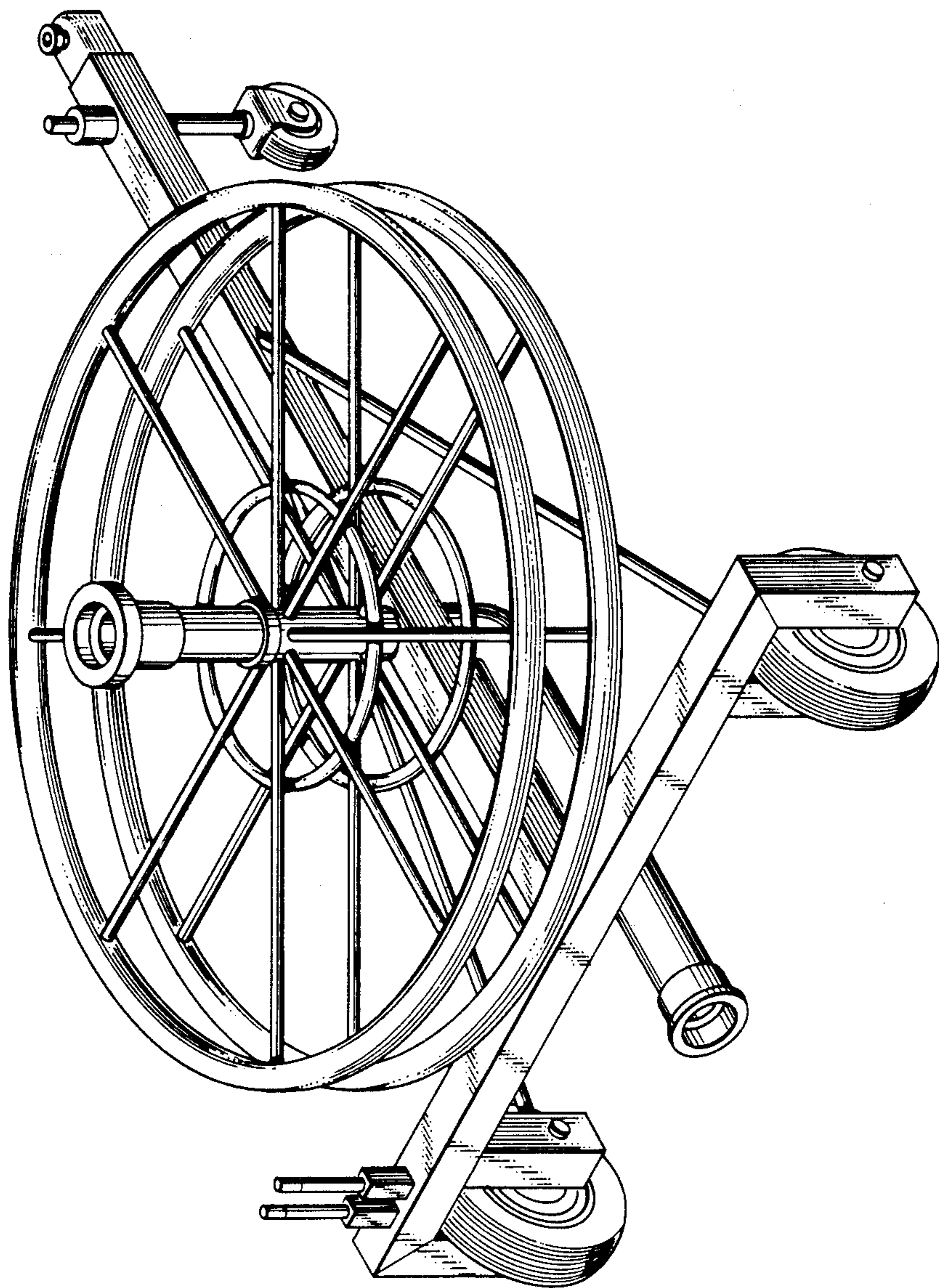
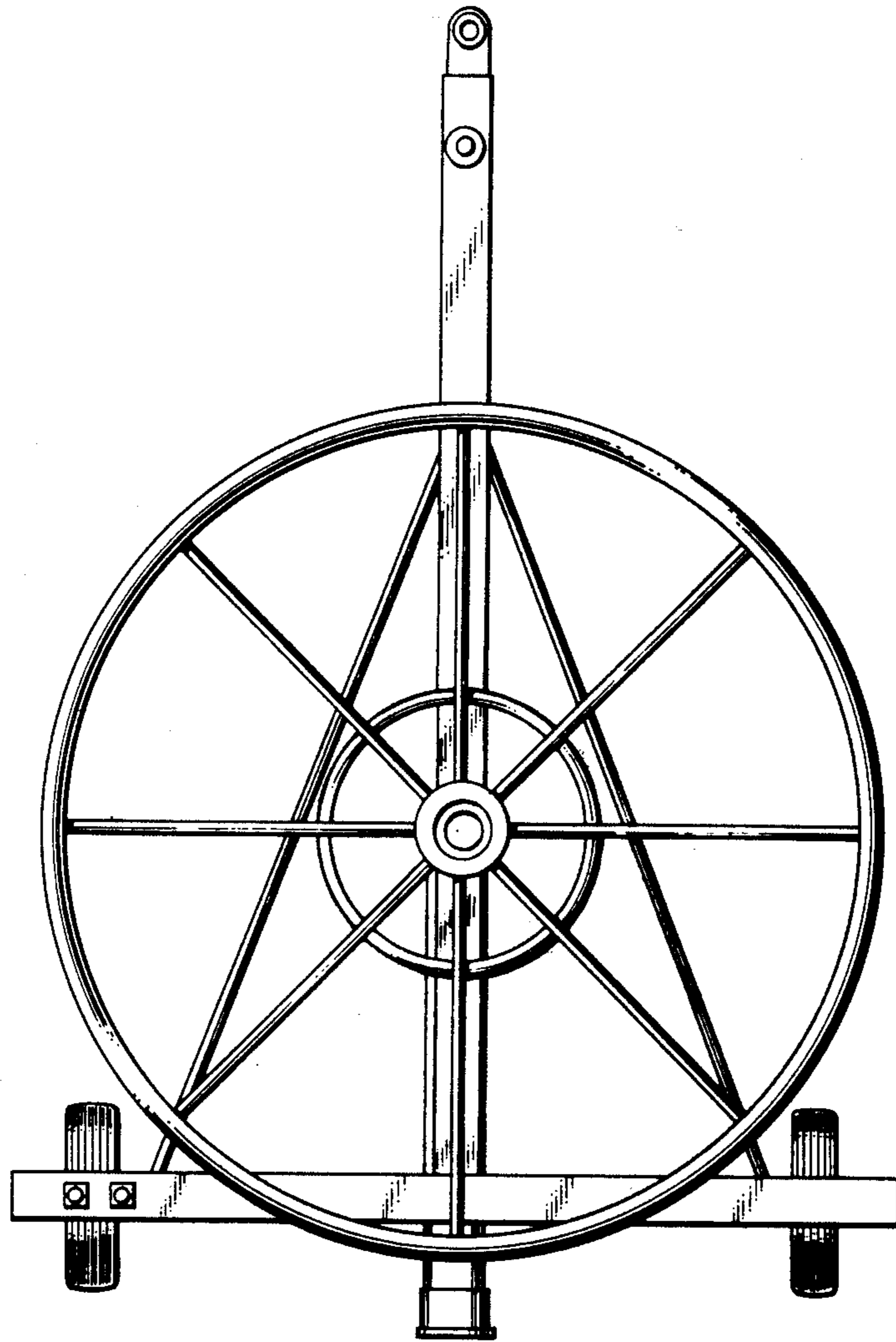
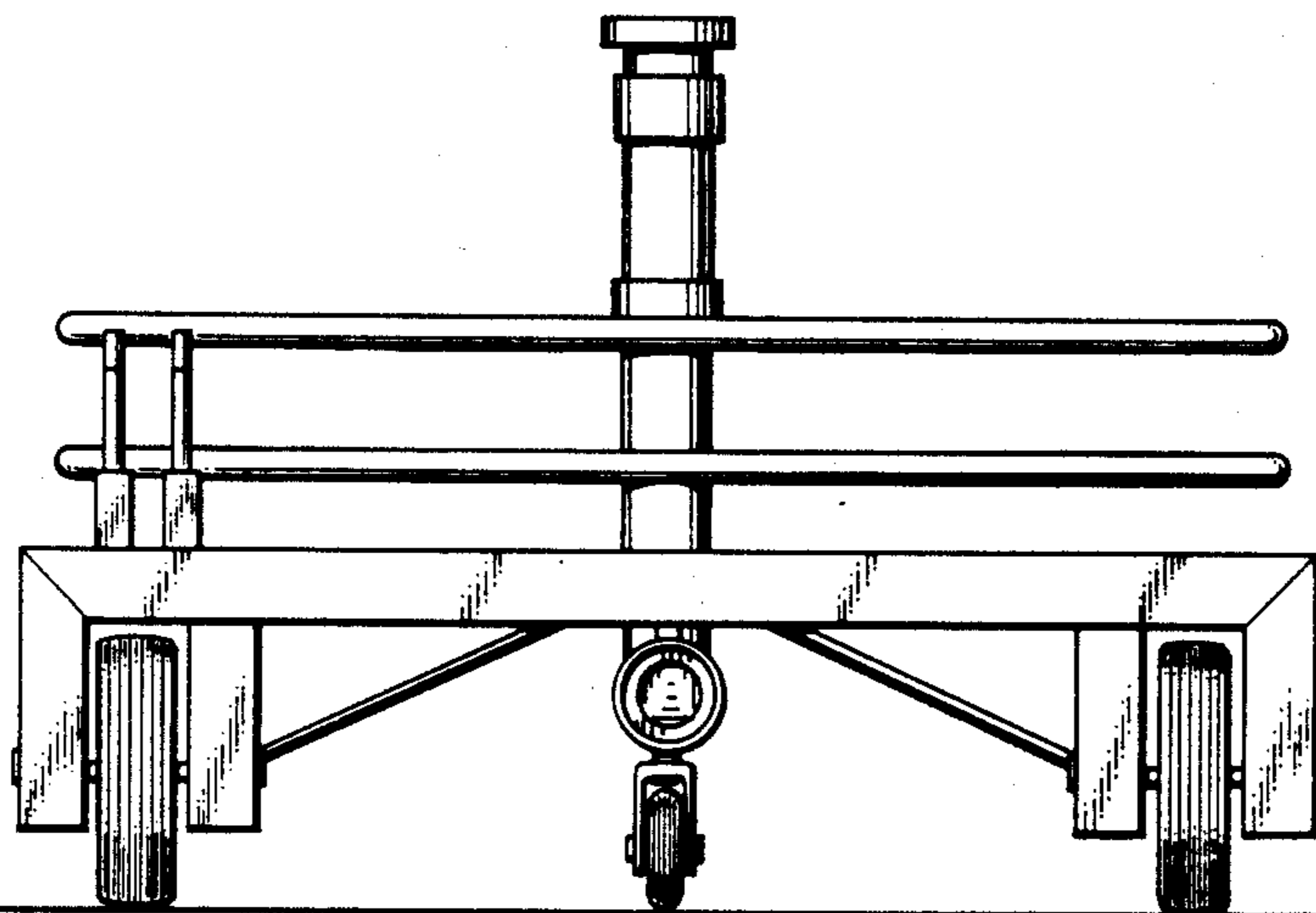


FIG. 1.



*FIG. 2.*



*FIG. 3.*