

[54] EXERCISE PLATFORM

[56]

References Cited

U.S. PATENT DOCUMENTS

[76] Inventor: Alfred C. Tidmore, P.O. Box 18467, Seattle, Wash. 98118

2,714,007	7/1955	Jordan	D21/193
3,352,559	11/1967	Larsen	272/146
3,416,792	12/1968	Morgan et al.	272/146
3,488,049	1/1970	Sasser	272/146

[**] Term: 14 Years

Primary Examiner—Charles A. Rademaker
Attorney, Agent, or Firm—Dowrey & Cross

[21] Appl. No.: 870,668

[57] CLAIM

The ornamental design for an exercise platform, as shown.

[22] Filed: Jan. 19, 1978

DESCRIPTION

[51] Int. Cl. D21—02
 [52] U.S. Cl. D21/193
 [58] Field of Search D21/191, 193, 235;
 273/93, 100, 109, 78, 127, 138, 146

FIG. 1 is a top perspective view of an exercise platform showing my new design.
 FIG. 2 is a bottom perspective view thereof.
 FIG. 3 is an end elevational view thereof.
 FIG. 4 is a side elevational view thereof.

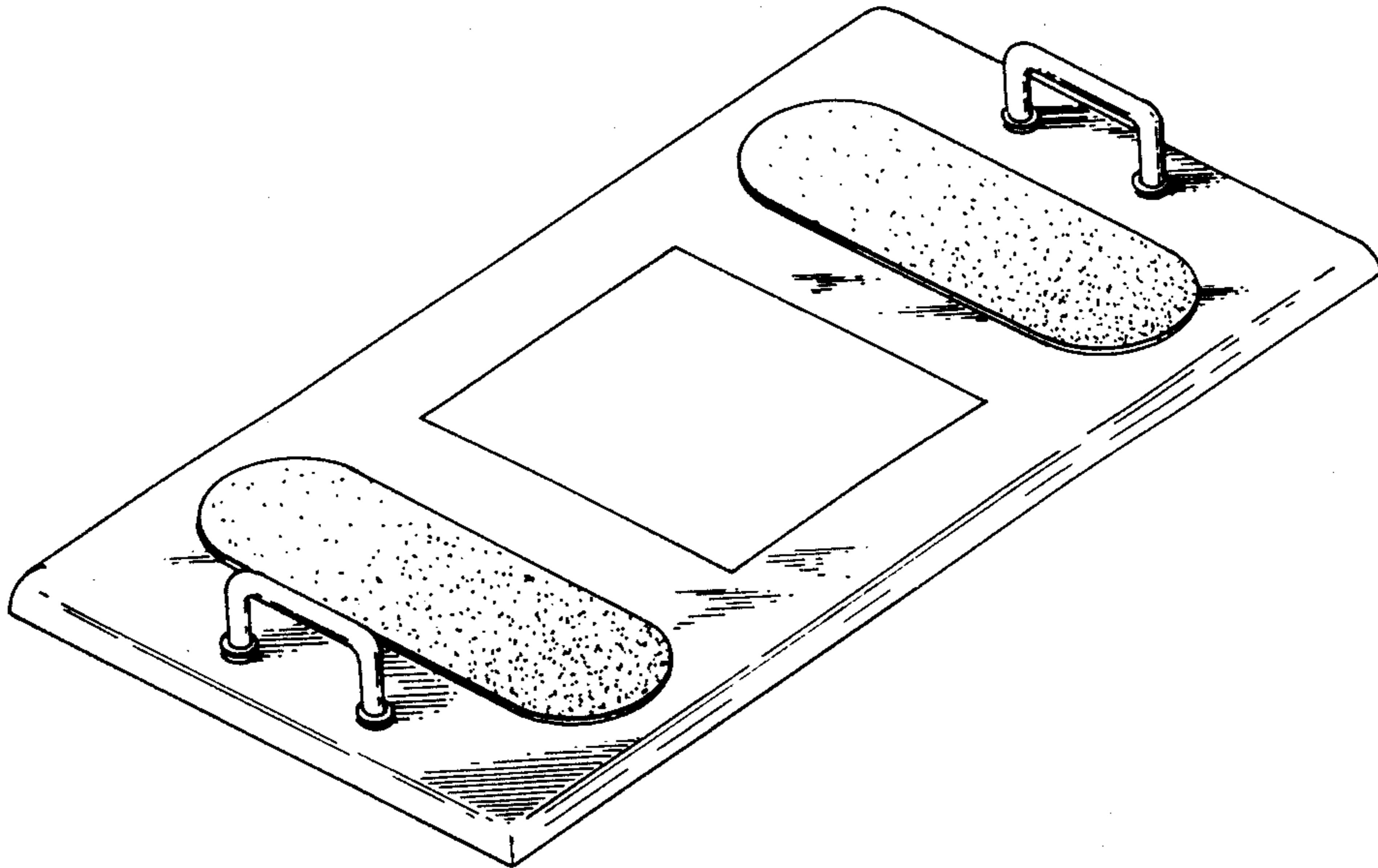


FIG. 1

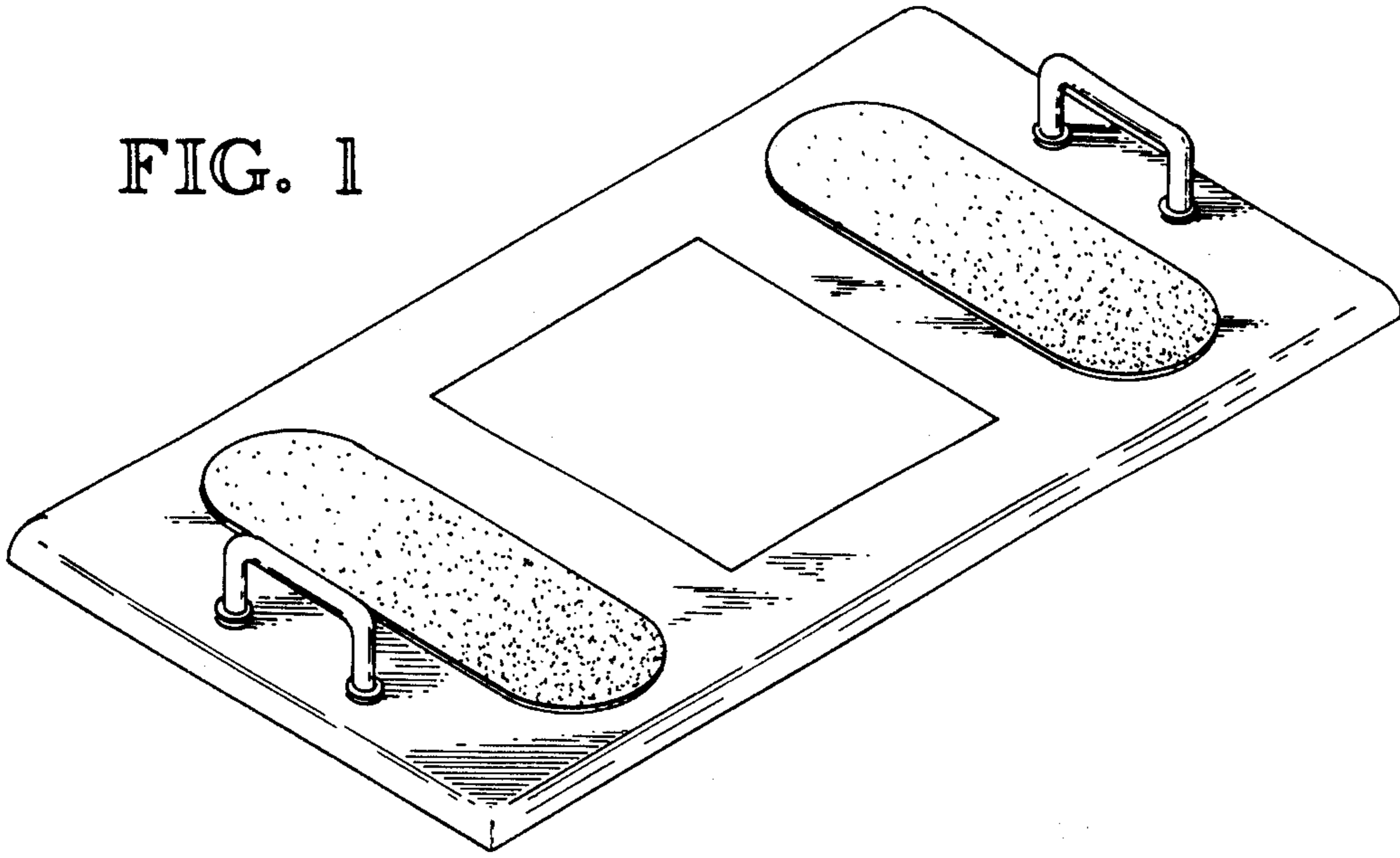


FIG. 2

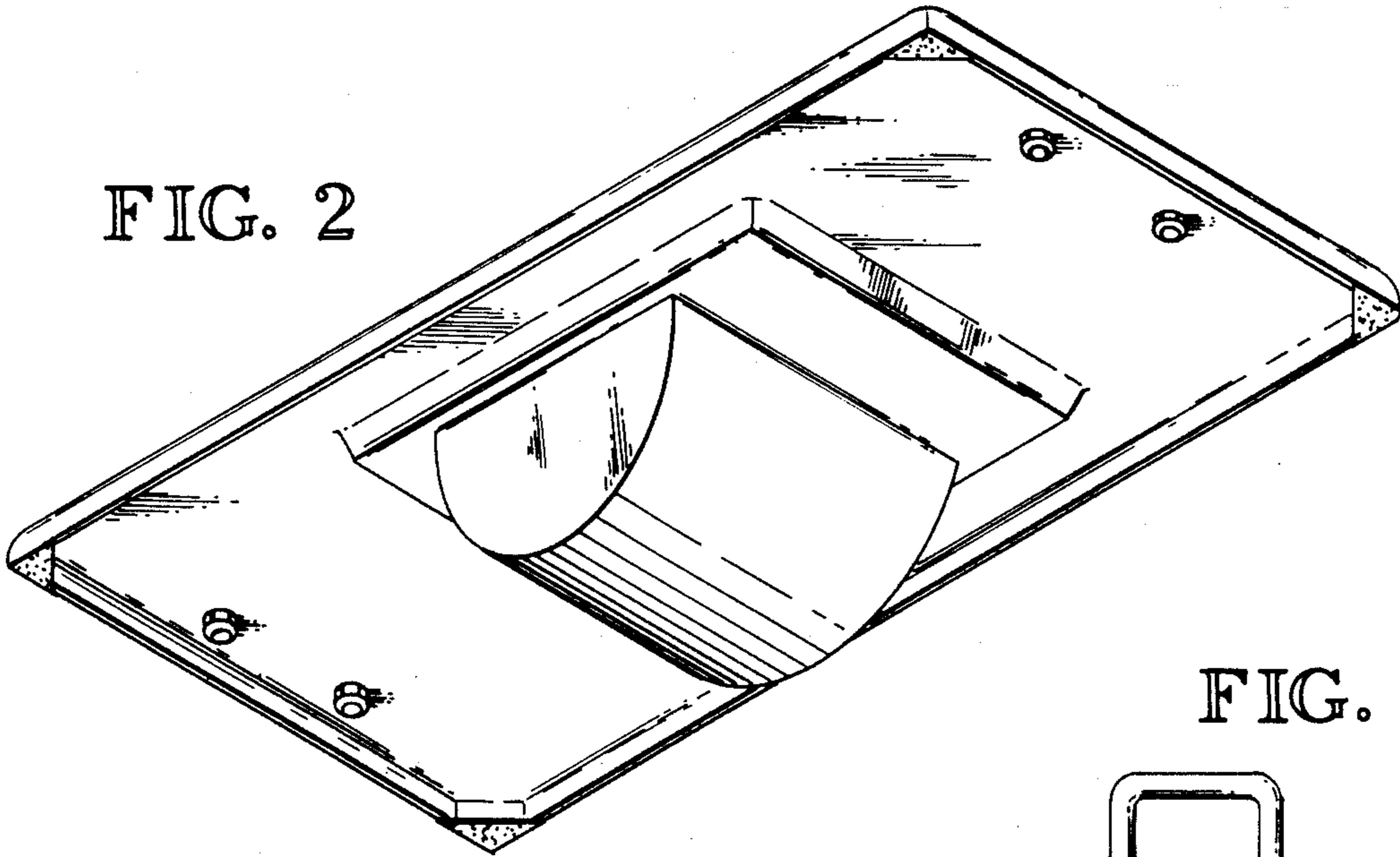


FIG. 3

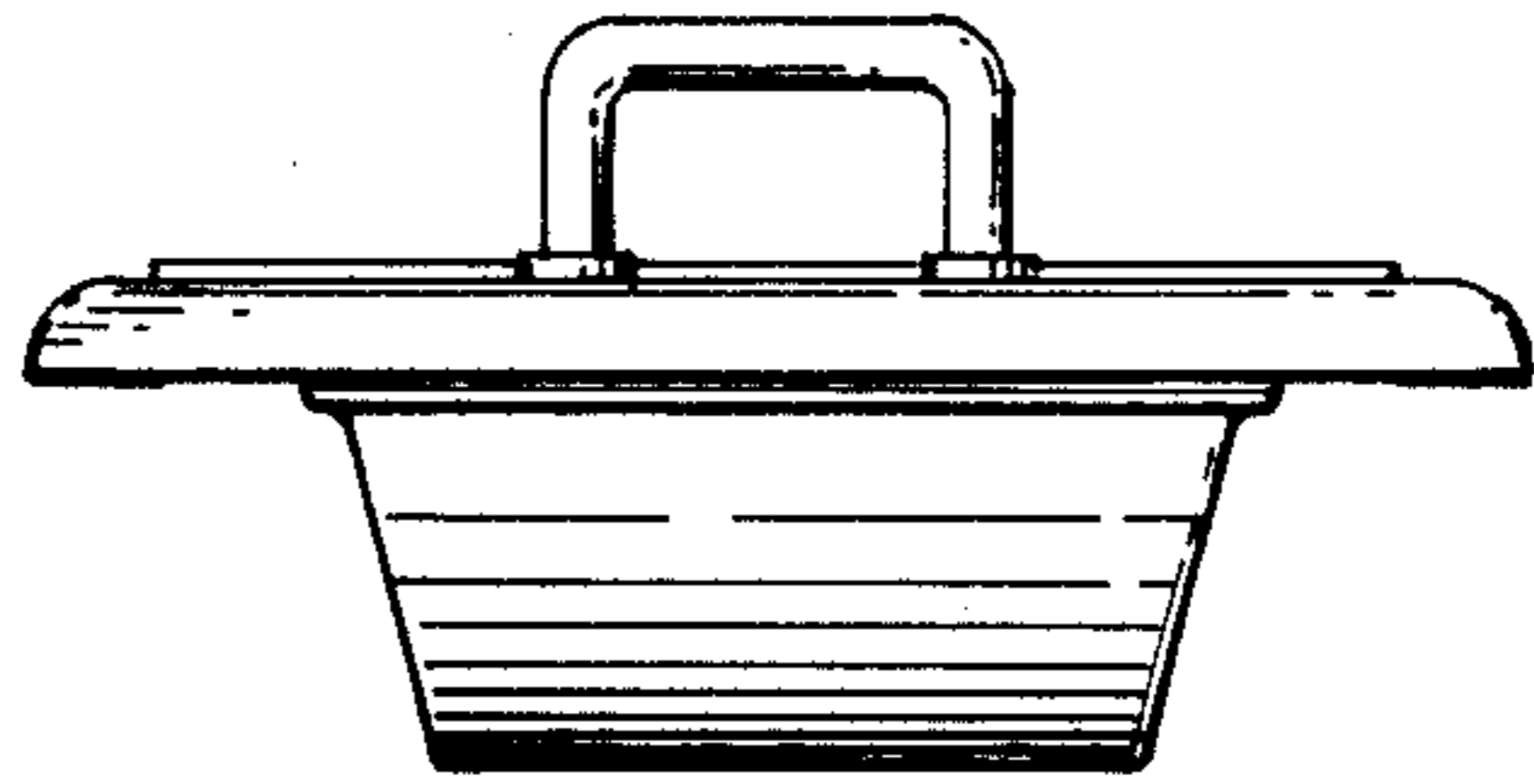


FIG. 4

