

[54] BINOCULARS

[75] Inventor: Karl H. Lange, Bunde, Fed. Rep. of Germany

[73] Assignee: Balda-Werke Photographische Gerate und Kunststoff GmbH & Co. KG, Bunde, Fed. Rep. of Germany

[\*\*] Term: 14 Years

[21] Appl. No.: 878,039

[22] Filed: Feb. 15, 1978

[30] Foreign Application Priority Data

Oct. 5, 1977 [DE] Fed. Rep. of Germany ..... 3448

[51] Int. Cl. .... D16-06

[52] U.S. Cl. .... D16/59

[58] Field of Search ..... D16/59; 350/36, 51, 350/70, 75, 255, 77

[56] References Cited

U.S. PATENT DOCUMENTS

- D. 229,444 11/1973 Windisch ..... D16/59
- D. 242,243 11/1976 Takahashi et al. .... D16/59
- D. 246,653 12/1977 Tomatsuri ..... D16/59

- 3,572,887 3/1971 Leitzsch ..... 350/51
- 3,817,594 6/1974 Fischer ..... 350/75

OTHER PUBLICATIONS

Bushnell Sports Optics, ©1976, p. 15, 8 Power "Mini" Compact Binocular Item No. 10-8200, center focus.

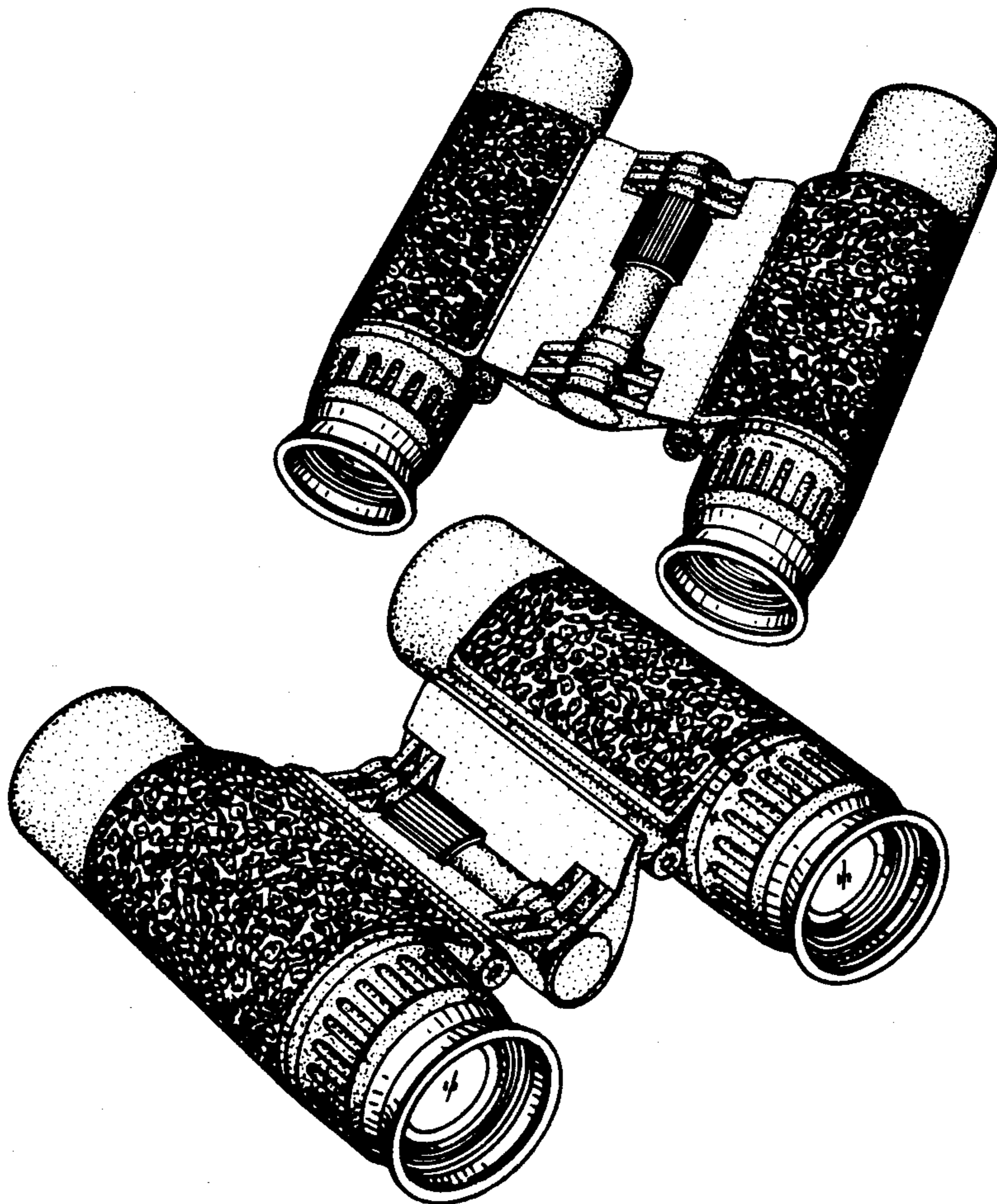
Primary Examiner—Bernard Ansher  
Attorney, Agent, or Firm—Blum, Kaplan, Friedman, Silberman & Beran

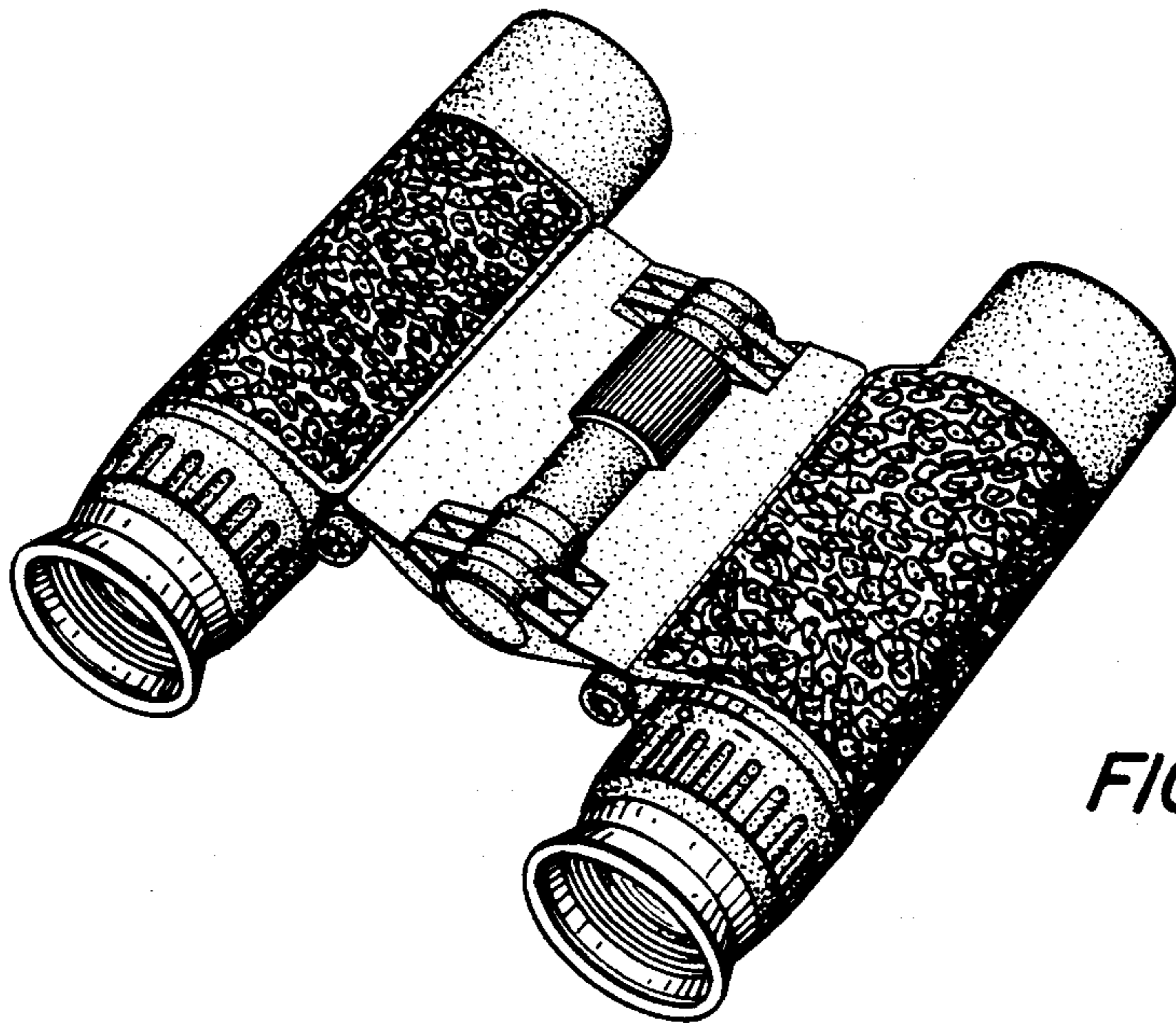
[57] CLAIM

The ornamental design for binoculars, as shown and described.

DESCRIPTION

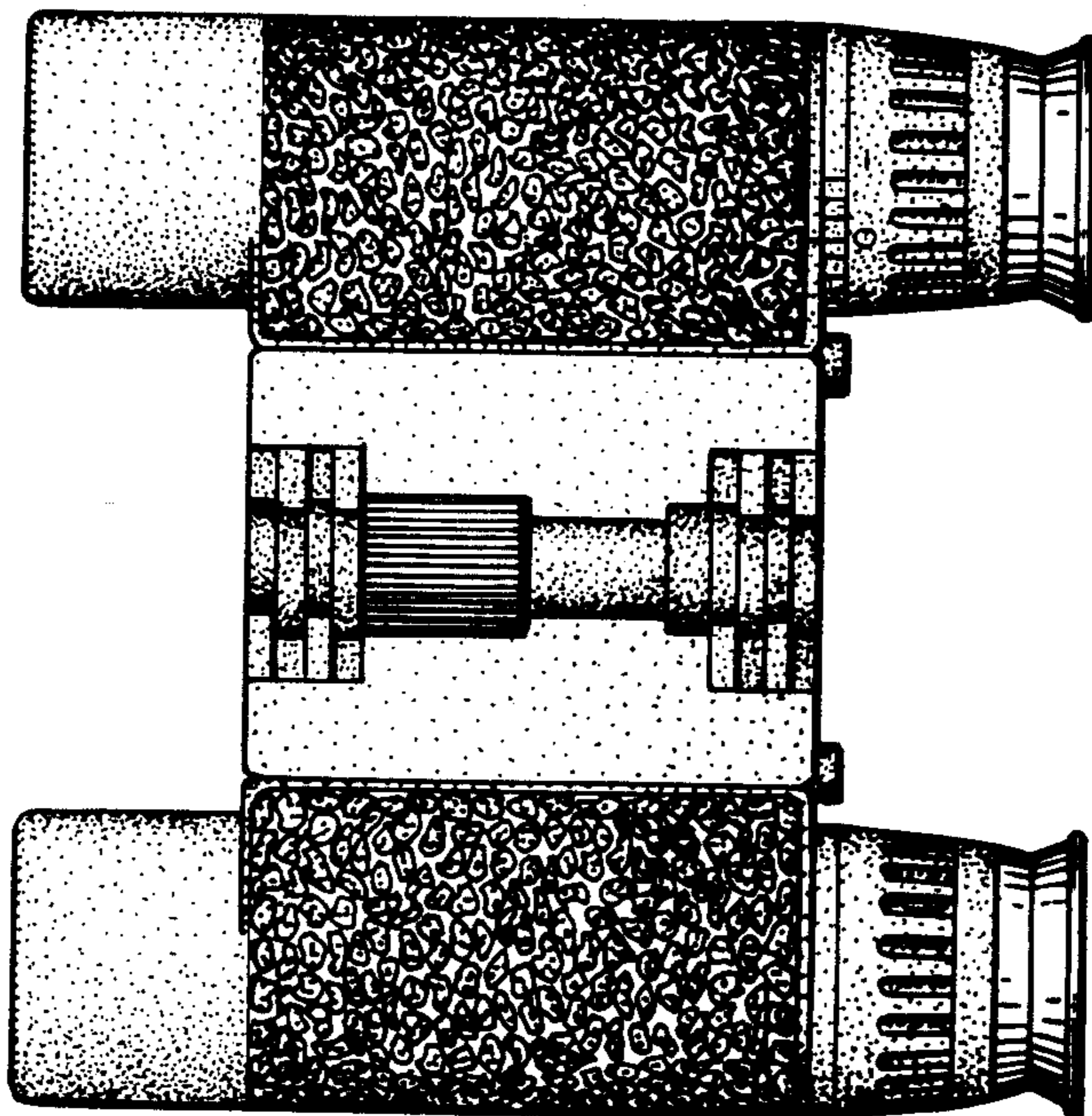
FIG. 1 is a rear perspective view of binoculars in an opened condition showing my new design;  
 FIG. 2 is a top plan view thereof;  
 FIG. 3 is a side elevation view thereof;  
 FIG. 4 is a front elevation view thereof;  
 FIG. 5 is a bottom plan view thereof;  
 FIG. 6 is a rear elevation view thereof;  
 FIG. 7 is a rear perspective view showing the binoculars in a partially closed position; and  
 FIG. 8 is a view similar to FIG. 7 showing the binoculars in a fully closed position.



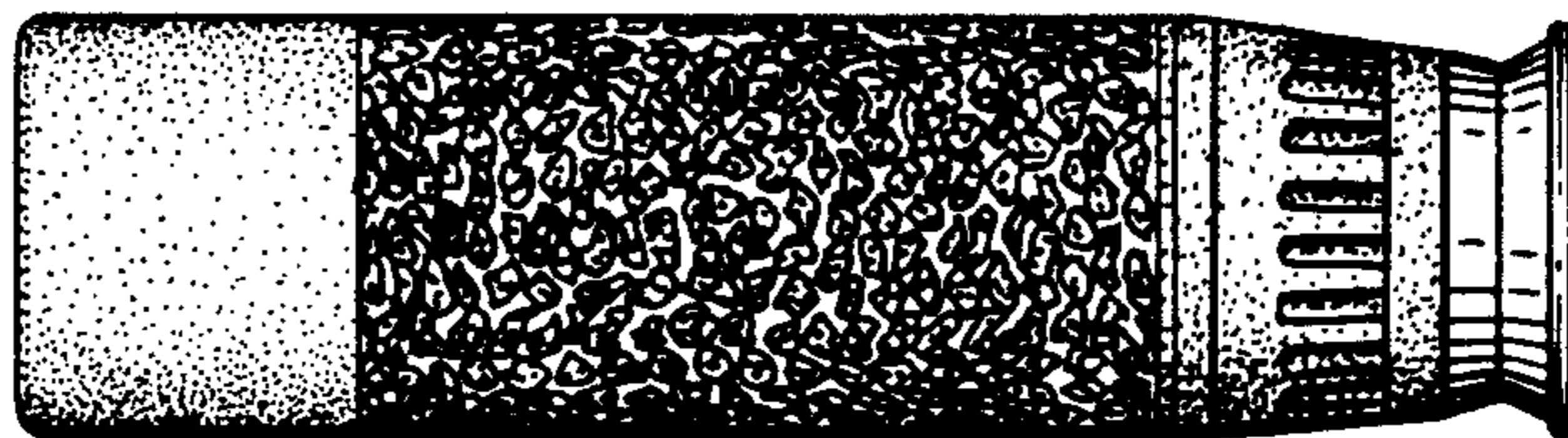


*FIG. 1*

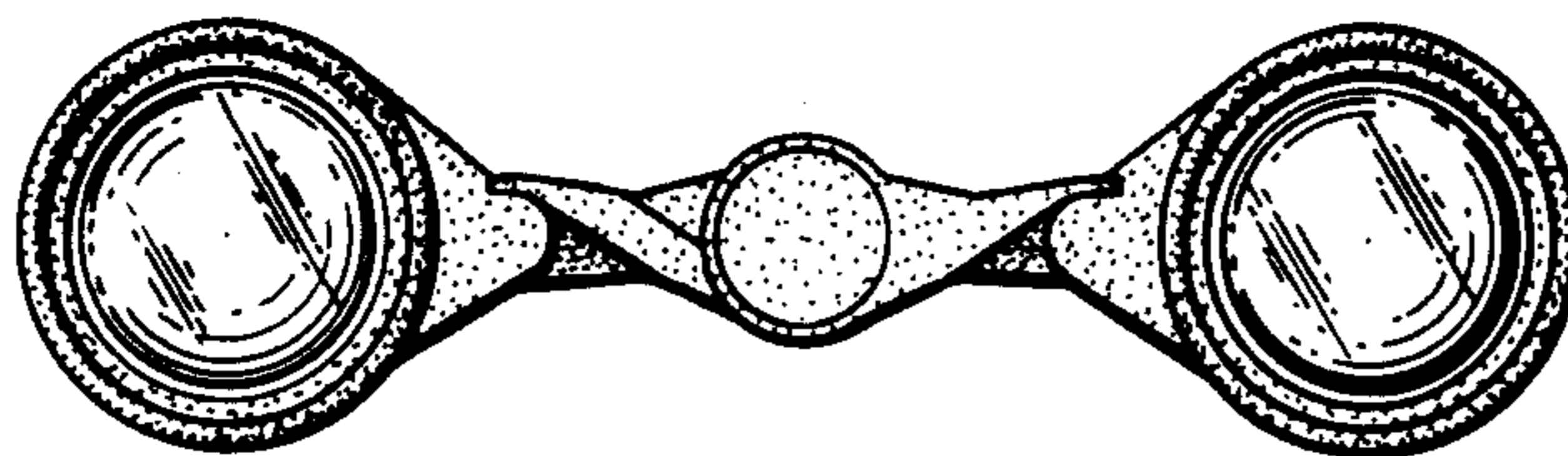
*FIG. 2*



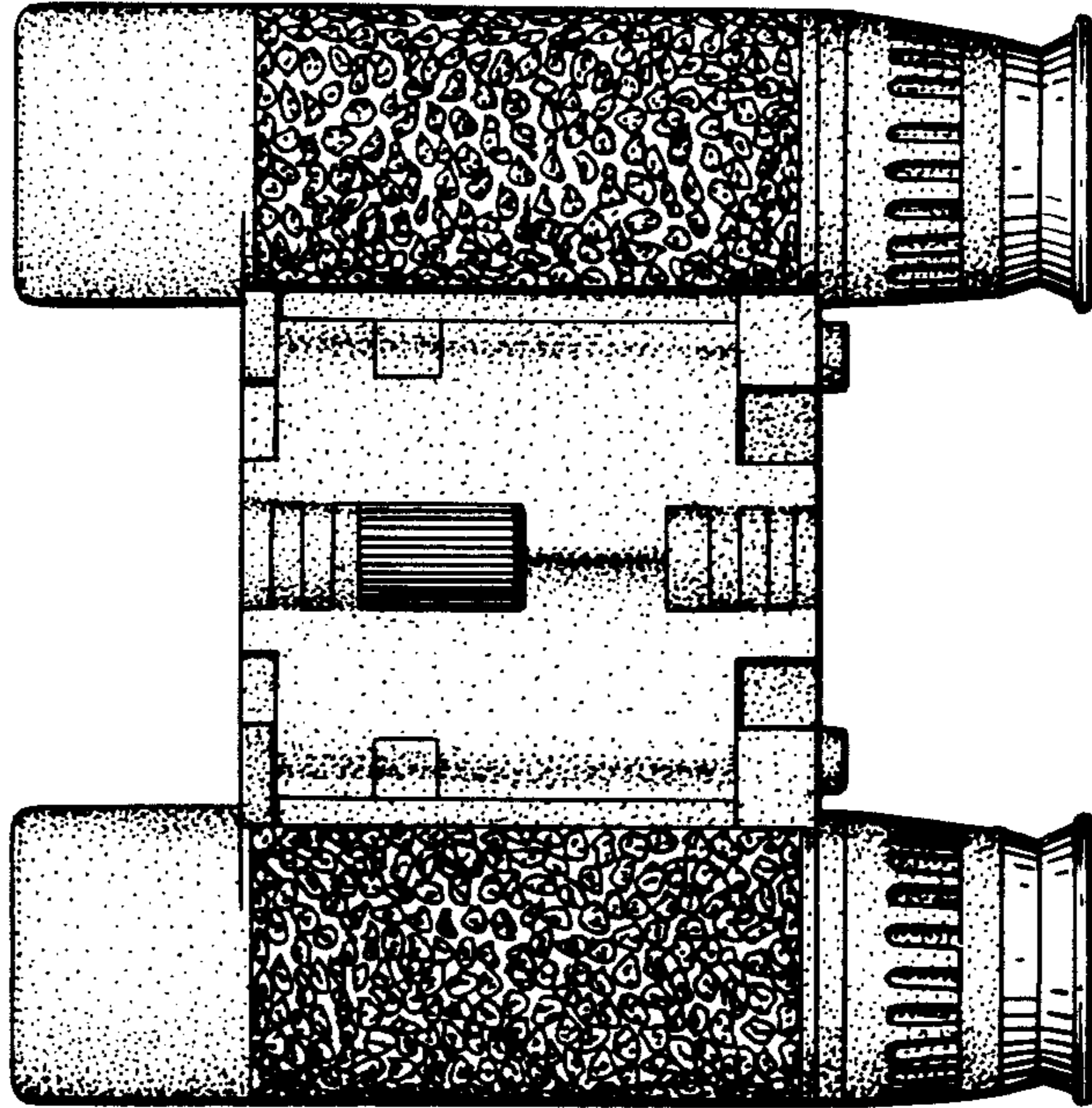
*FIG. 3*



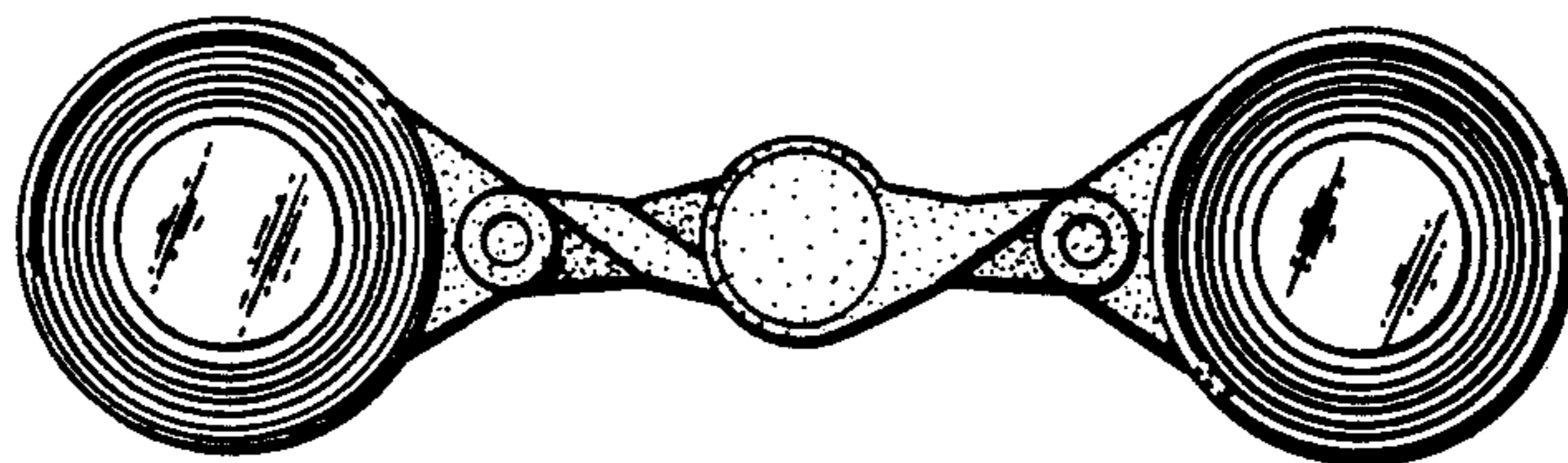
*FIG. 4*



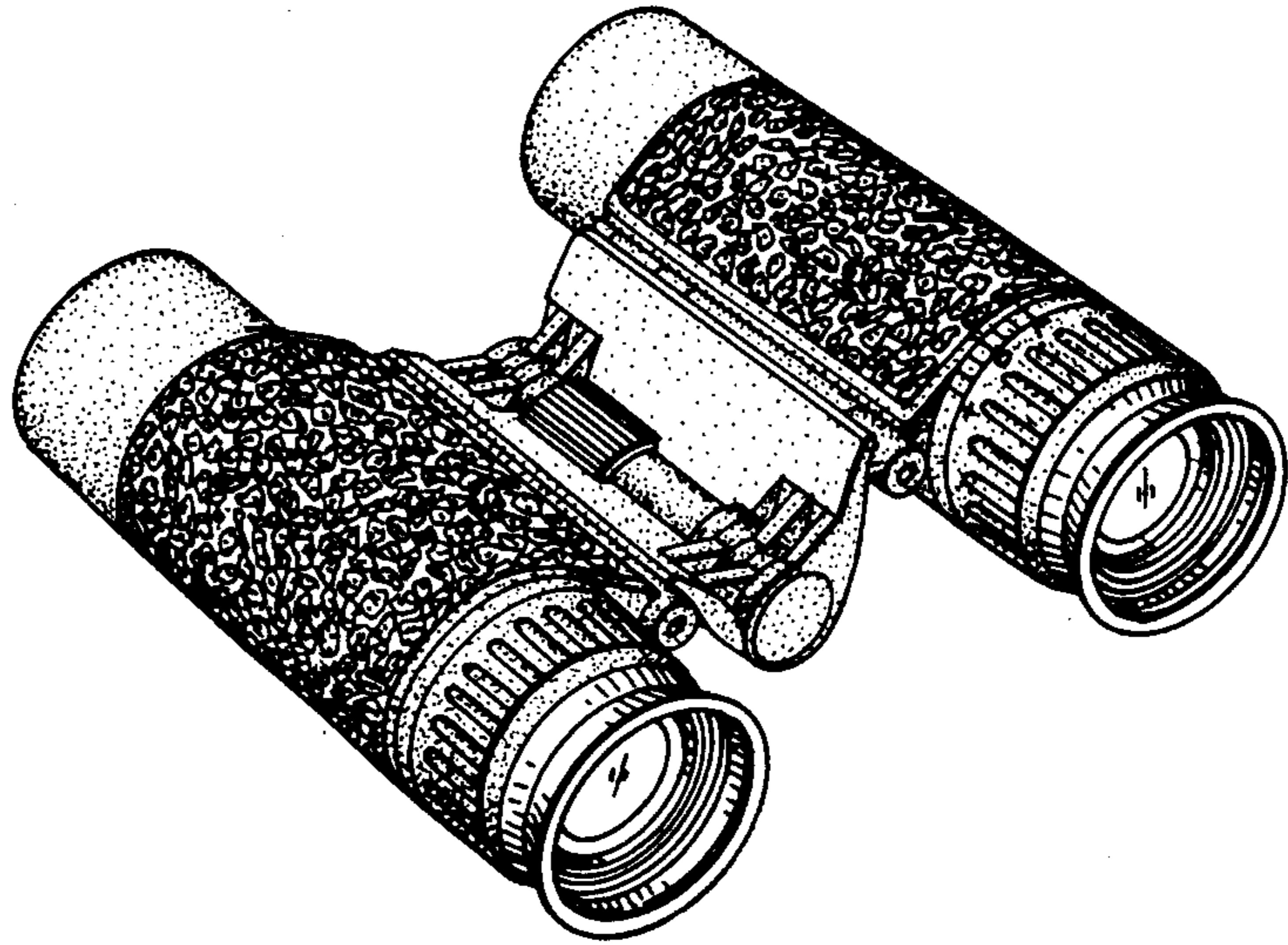
*FIG.5*



*FIG.6*



*FIG. 7*



*FIG. 8*

