

[54] SURVEILLANCE CAMERA HOUSING OR SIMILAR ARTICLE

[76] Inventor: Thomas Coleman, 1034 59th St., Oakland, Calif. 94609

[\*\*] Term: 14 Years

[21] Appl. No.: 862,049

[22] Filed: Dec. 19, 1977

[51] Int. Cl. .... D16-01

[52] U.S. Cl. .... D16/02

[58] Field of Search ..... D16/2; D14/78; D48/20 E, 20 K; 358/93, 108; 352/69, 93, 94, 205, 242, 243; 354/70, 94, 110, 170, 202, 236, 288

[56] References Cited

U.S. PATENT DOCUMENTS

D. 220,406	4/1971	Hardy .....	D16/2
3,613,538	10/1971	Horberg, Jr. ....	358/108 X
3,732,368	5/1973	Mahlab .....	358/108
3,993,866	11/1976	Pearl et al. ....	358/108

OTHER PUBLICATIONS

Design-Mar. 1964-p. 8, Quartet Lamp #1.

Primary Examiner—Catherine E. Kemper  
Attorney, Agent, or Firm—Bielen and Peterson

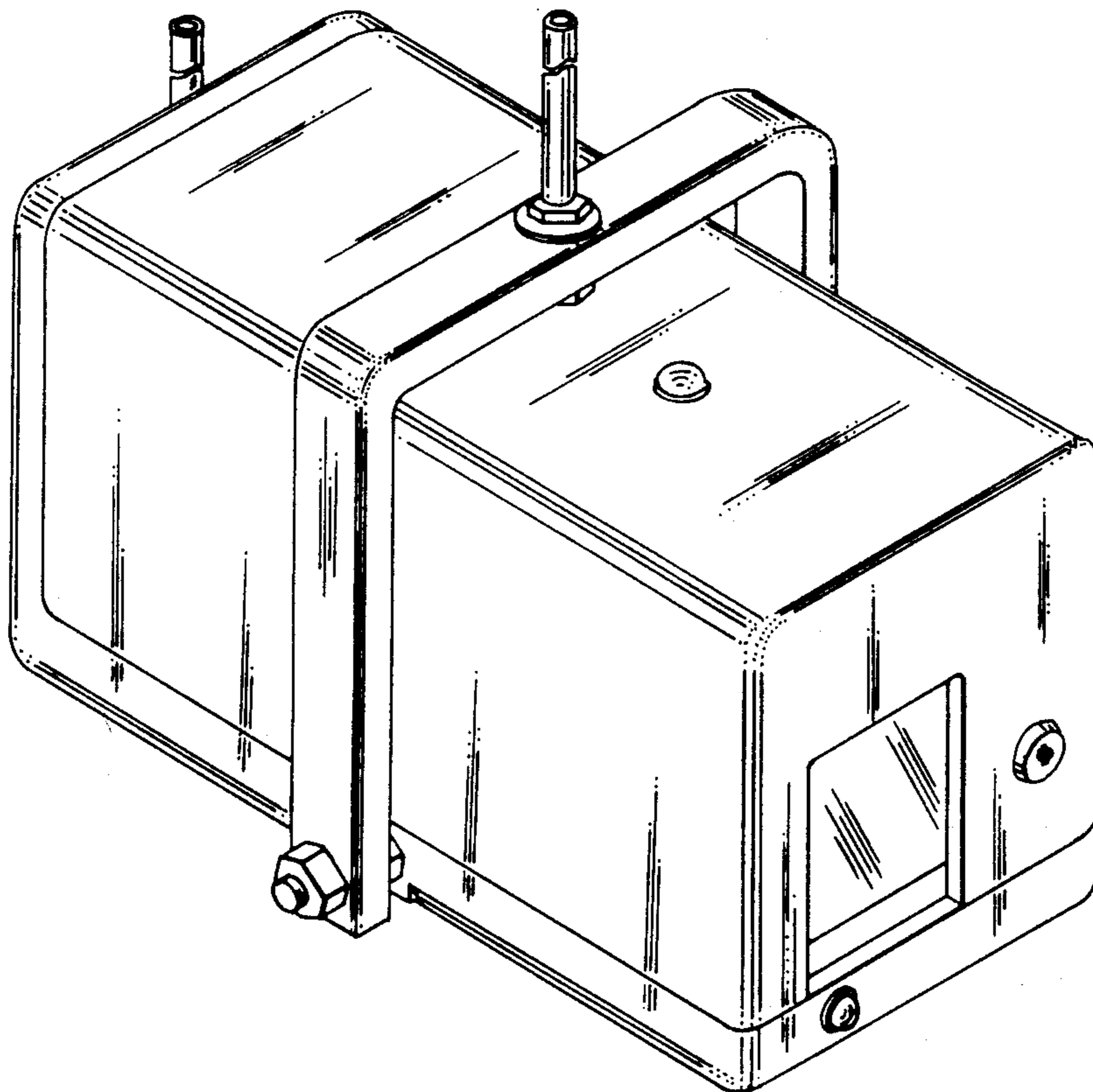
[57] CLAIM

The ornamental design for a surveillance camera housing or similar article, substantially as shown and described.

DESCRIPTION

FIG. 1 is a perspective view of a surveillance camera housing showing my new design; FIG. 2 is a front elevational view thereof; FIG. 3 is a left side elevational view thereof; FIG. 4 is a right side elevational view thereof; FIG. 5 is a rear elevational view thereof; FIG. 6 is a top plan view thereof; and FIG. 7 is a bottom plan view.

The vertical tubular members have been shown fragmentarily in FIGS. 1, 3, and 4 for convenience of illustration.



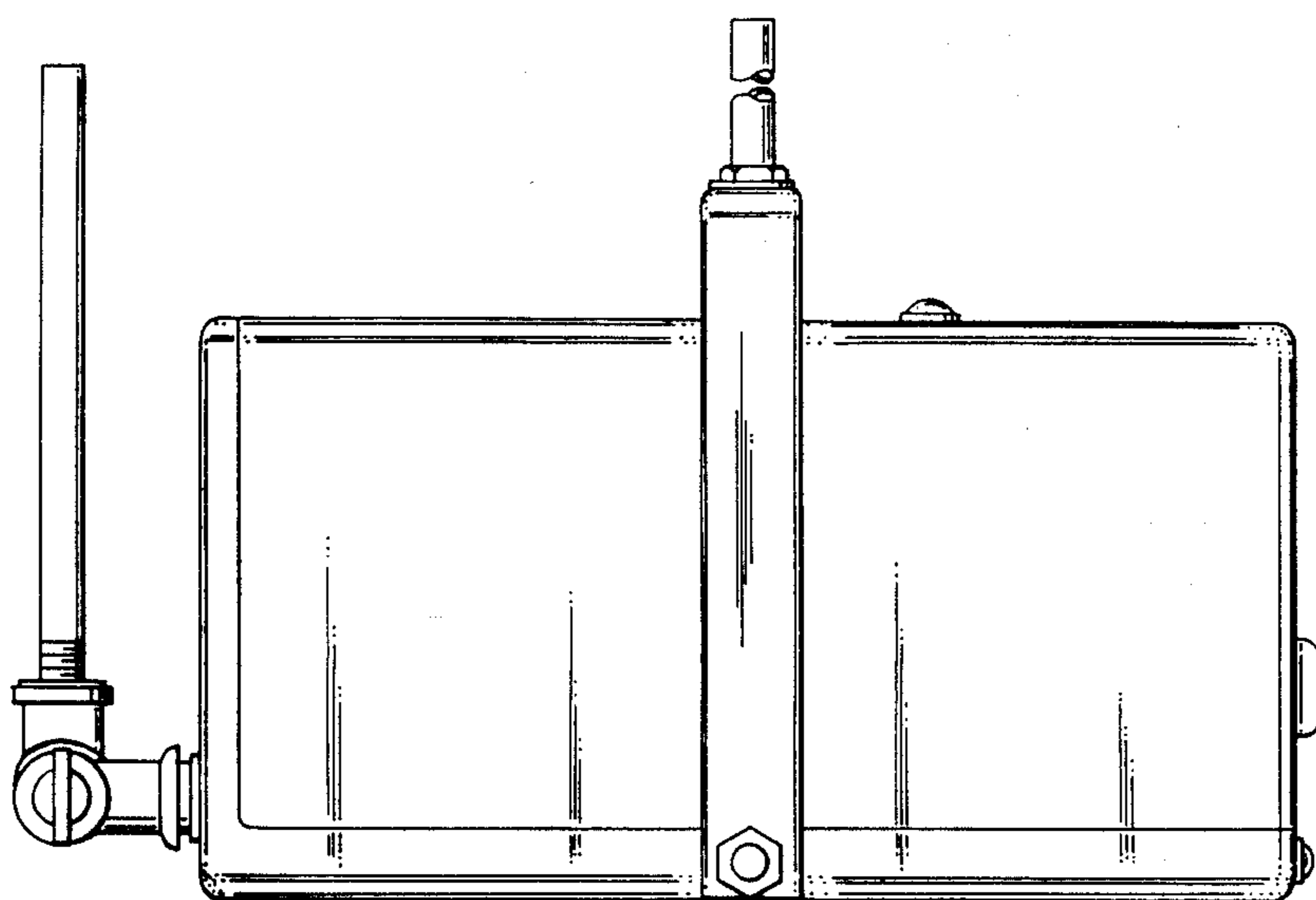


FIG. 3

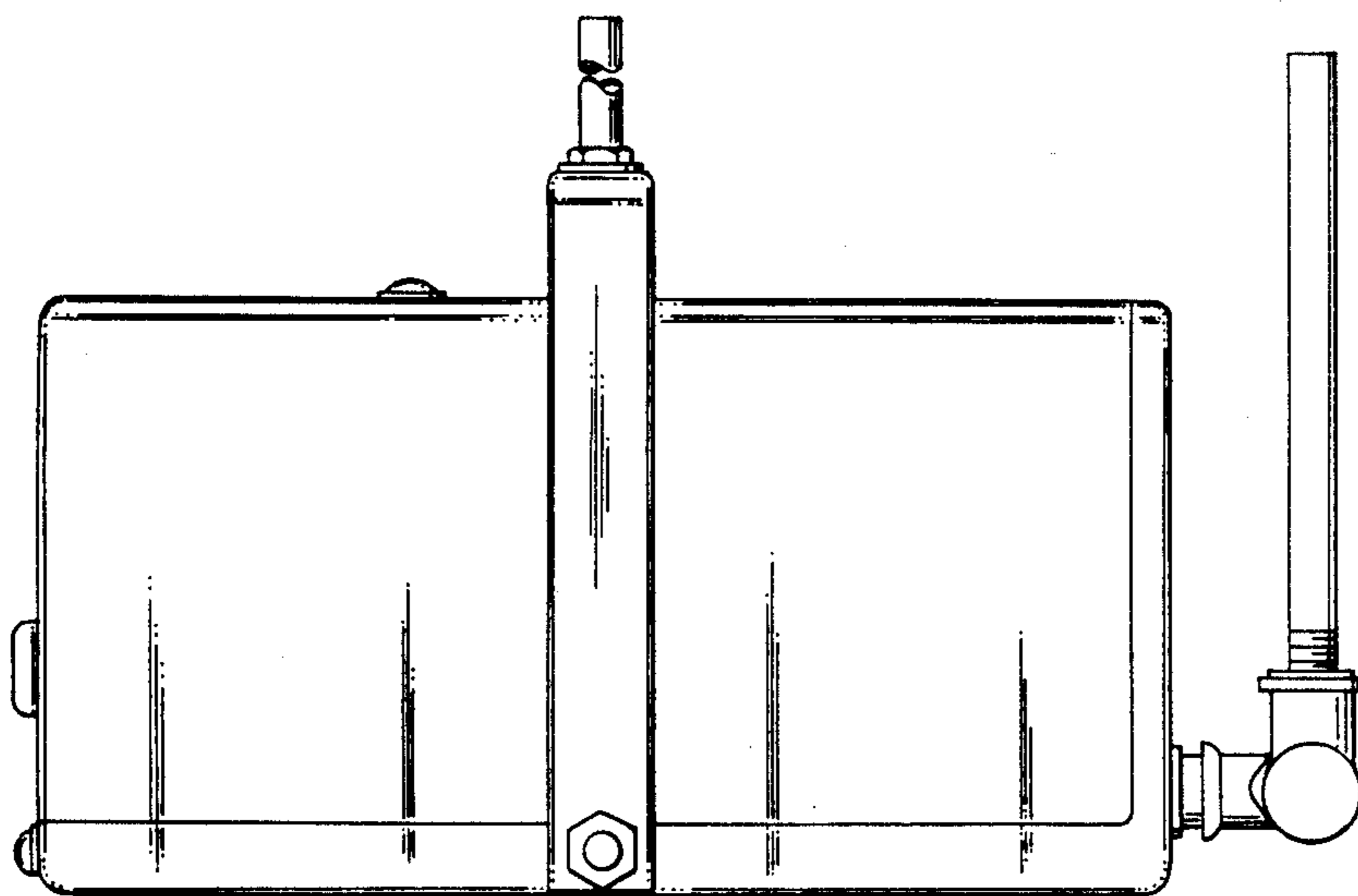


FIG. 4

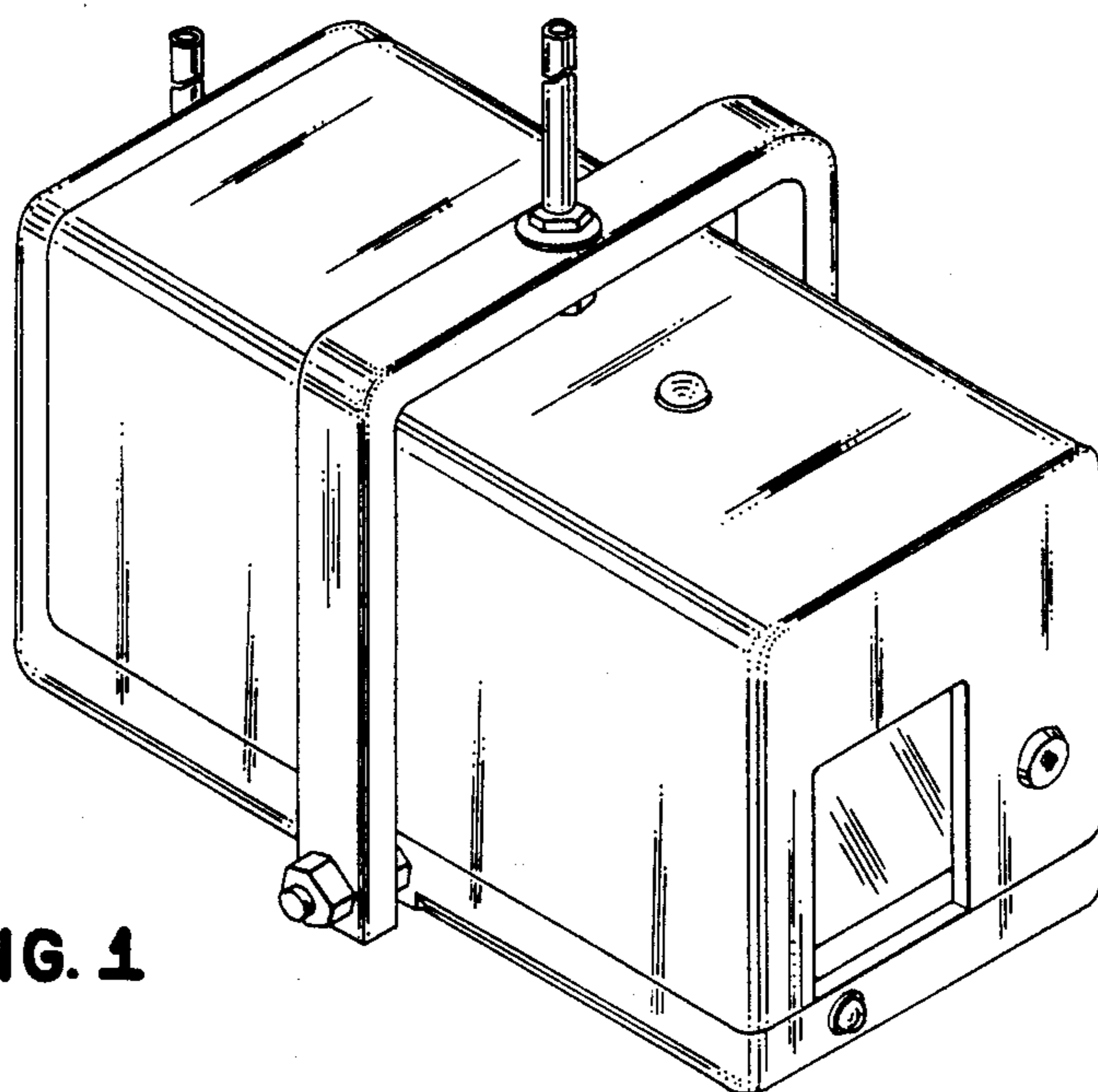


FIG. 1

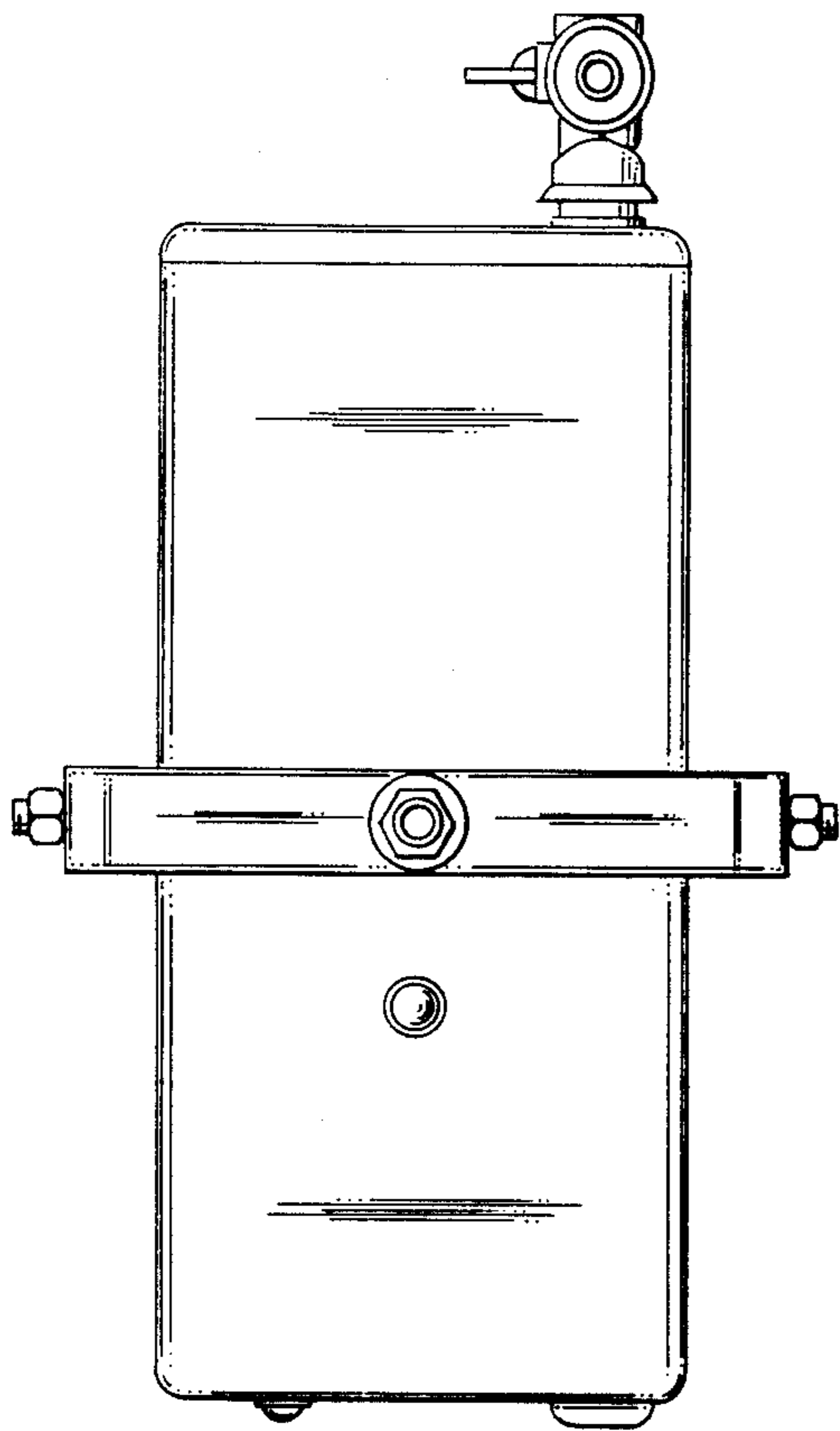


FIG. 6

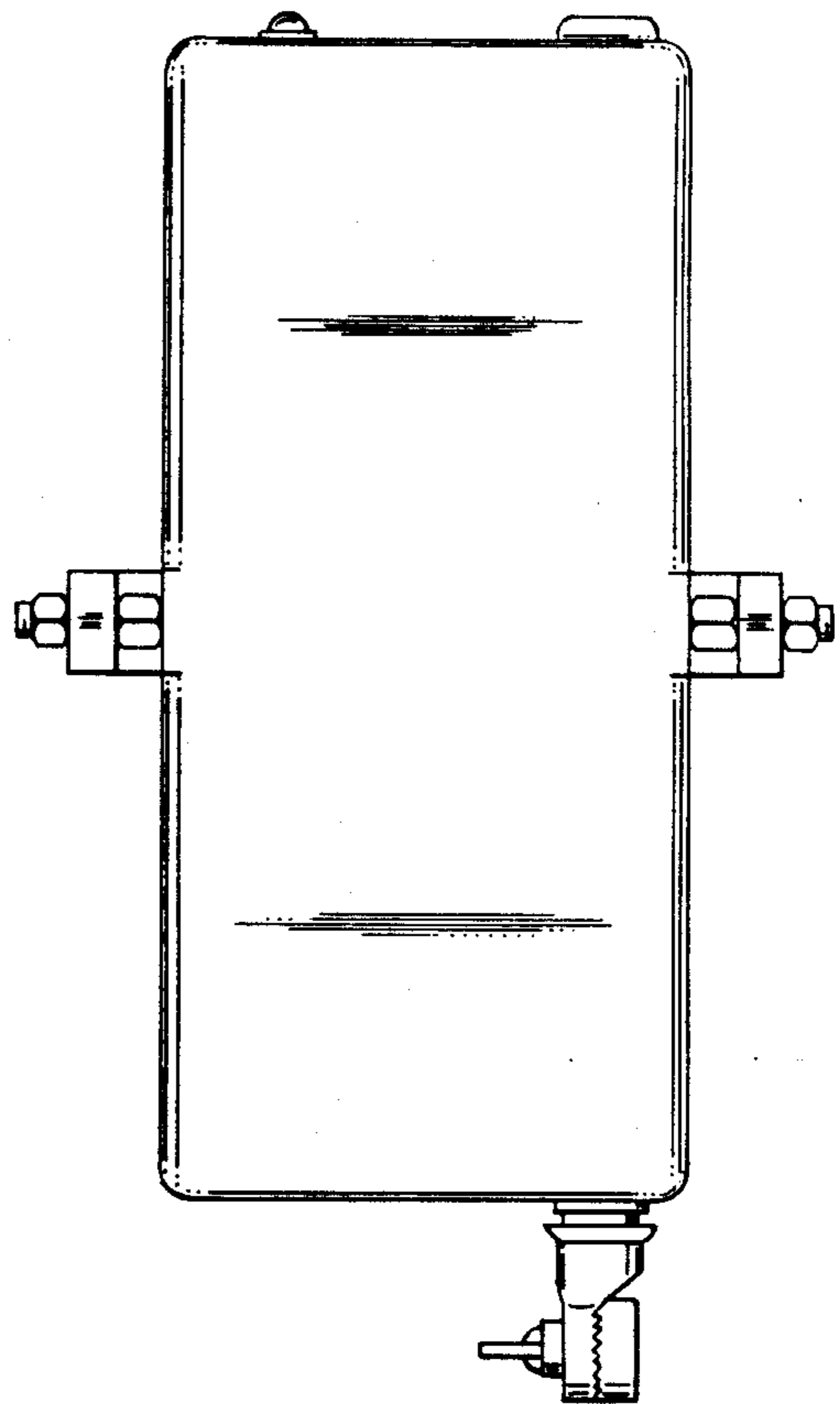


FIG. 7

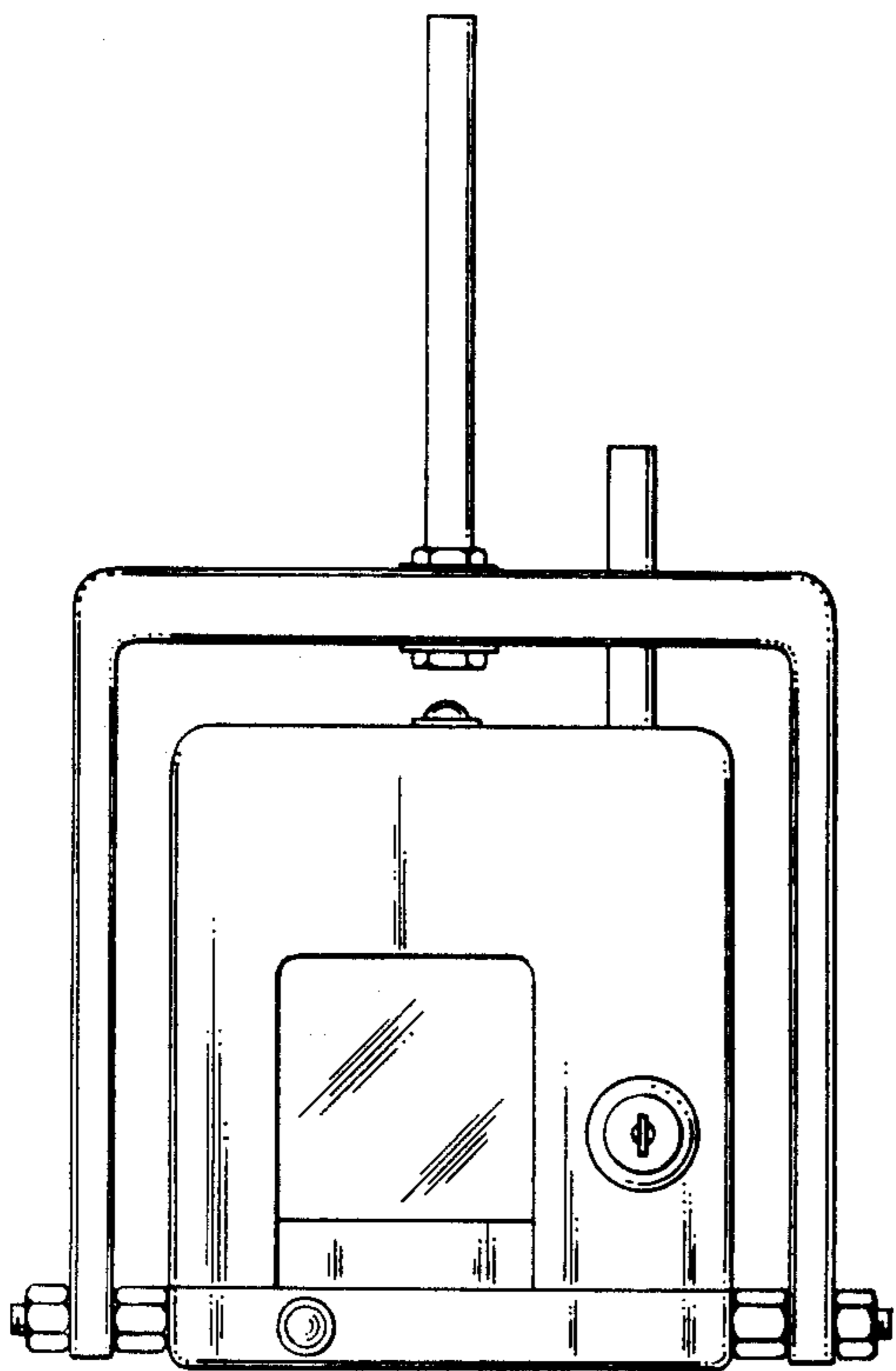


FIG. 2

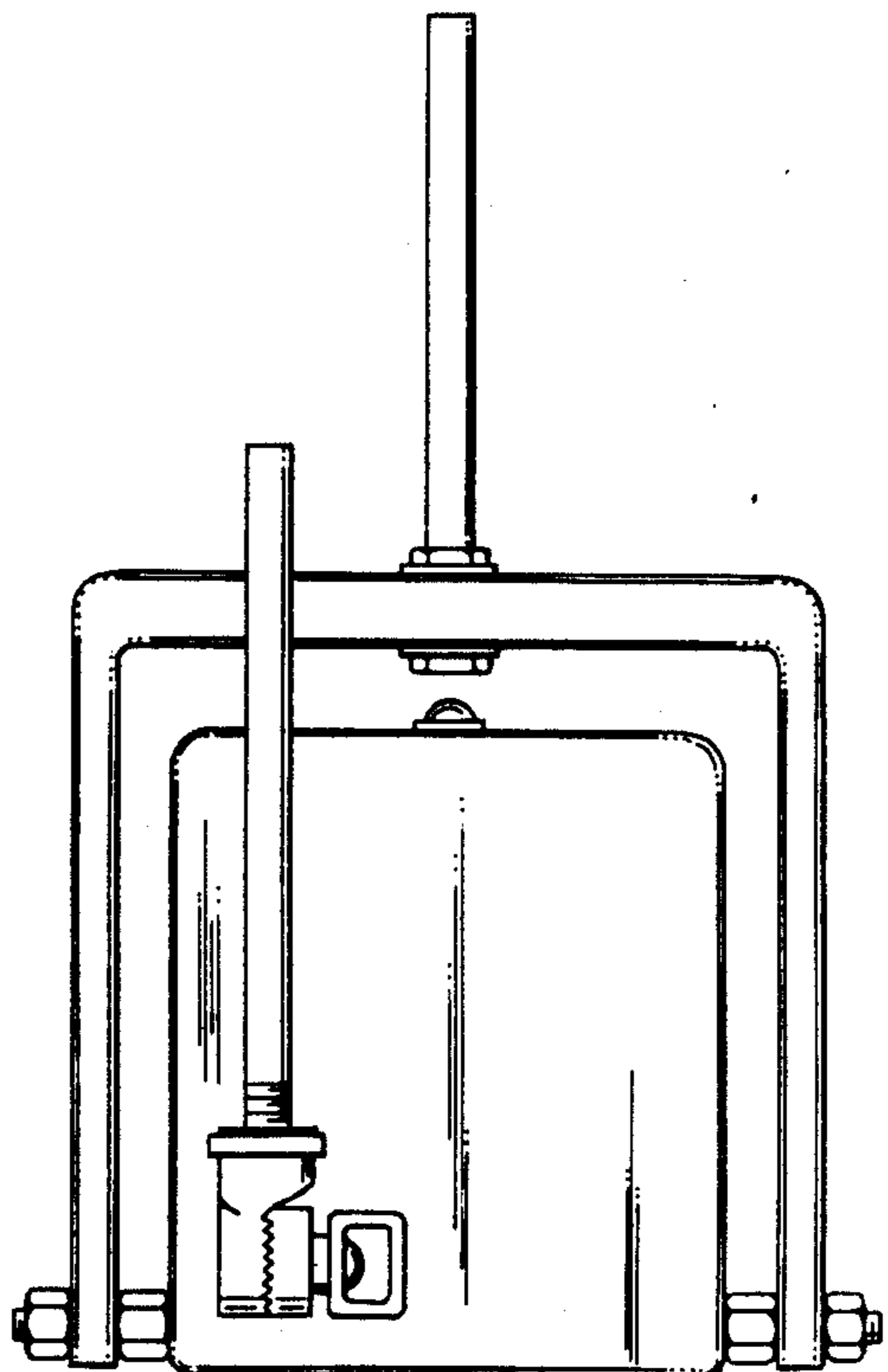


FIG. 5