

[54] RAIL MEMBER FOR USE IN A CARPET TUFTING DEVICE

[75] Inventor: Bent J. Panker, Allerod, Denmark

[73] Assignee: Crown Crafts International, Inc., Phoenix, Ariz.

[**] Term: 14 Years

[21] Appl. No.: 760,232

[22] Filed: Jan. 17, 1977

[51] Int. Cl. D15-06

[52] U.S. Cl. D15/78

[58] Field of Search D15/66, 78; 28/149

[56] References Cited

U.S. PATENT DOCUMENTS

3,735,537 5/1973 Panker 28/149 X

FOREIGN PATENT DOCUMENTS

23509 of 1894 United Kingdom D15/66

OTHER PUBLICATIONS

Dahlstrom Mfg. Corp., Jamestown, N.Y., Cat. #11, Sec. 7, p. 156, Item #0559.

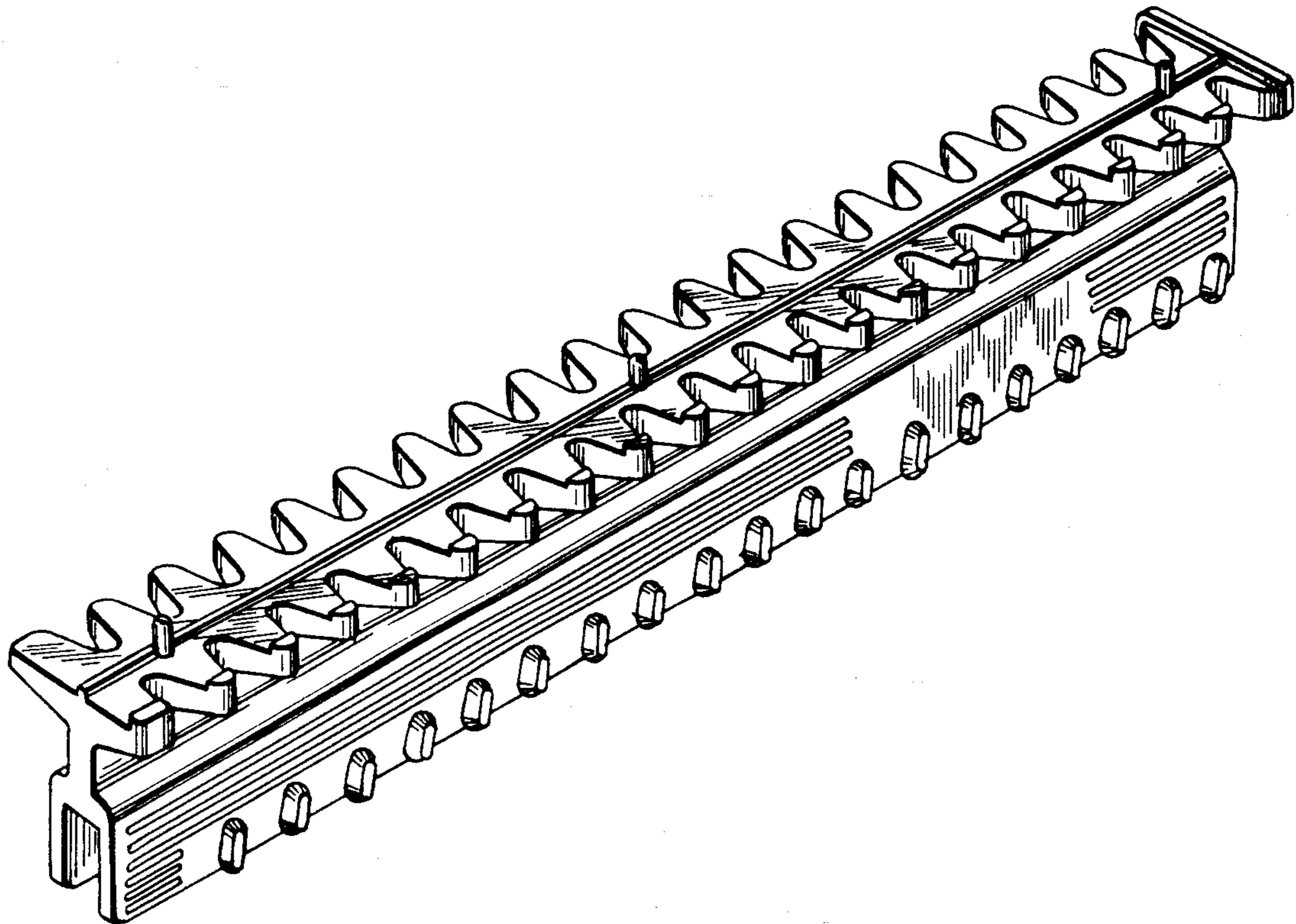
Primary Examiner—Joel Stearman
Assistant Examiner—Jane E. Corrigan
Attorney, Agent, or Firm—Salter & Michaelson

[57] CLAIM

The ornamental design for a rail member for use in a carpet tufting device, substantially as shown.

DESCRIPTION

FIG. 1 is a side elevational view of a rail member for use in a carpet tufting device showing my new design; FIG. 2 is a bottom plan view thereof; FIG. 3 is an elevational view of the side of the member opposite that shown in FIG. 1; FIG. 4 is a top plan view thereof; FIG. 5 is an elevational view drawn from the left of FIG. 1; FIG. 6 is an elevational view of the end of the member opposite that shown in FIG. 5; and FIG. 7 is a perspective view of the end of the member shown in FIG. 5, the top and the side of the member shown in FIG. 1.



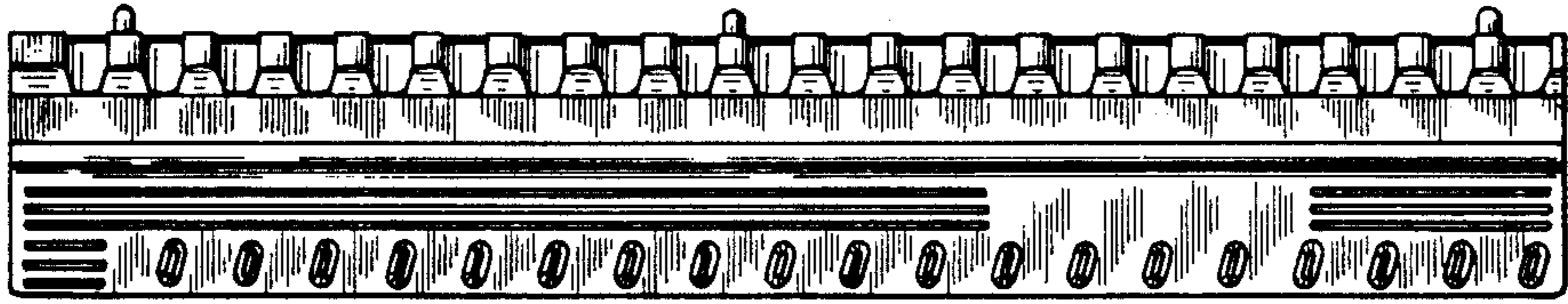


FIG. 1

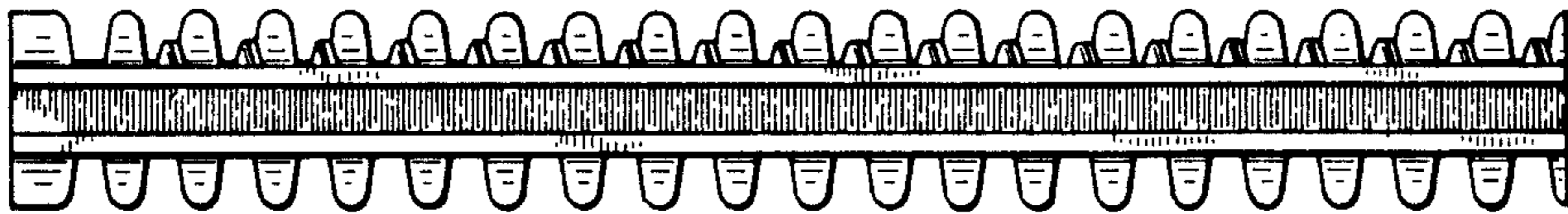


FIG. 2

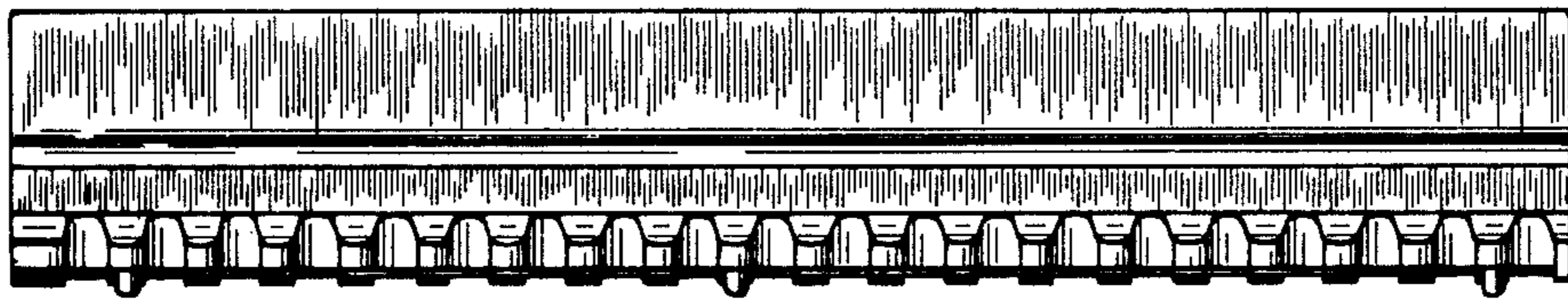


FIG. 3

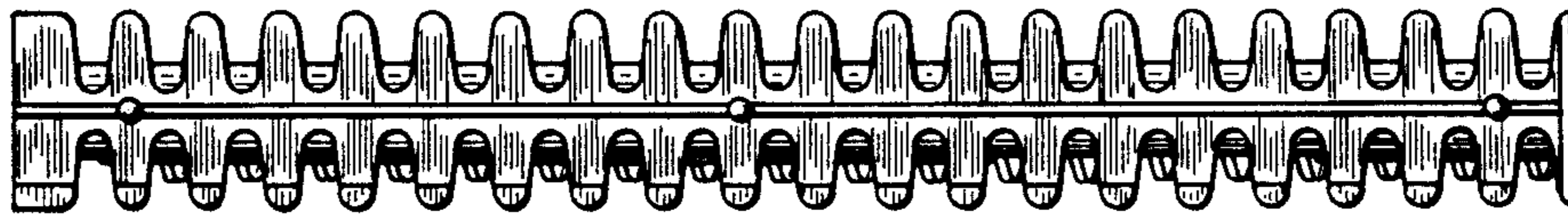


FIG. 4

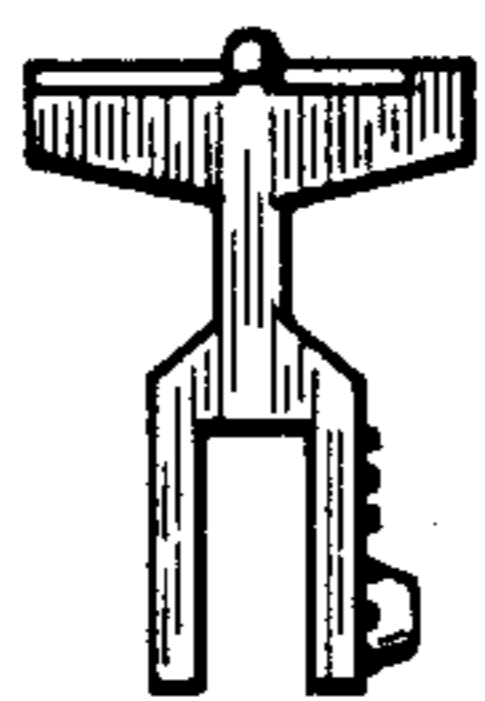


FIG. 5

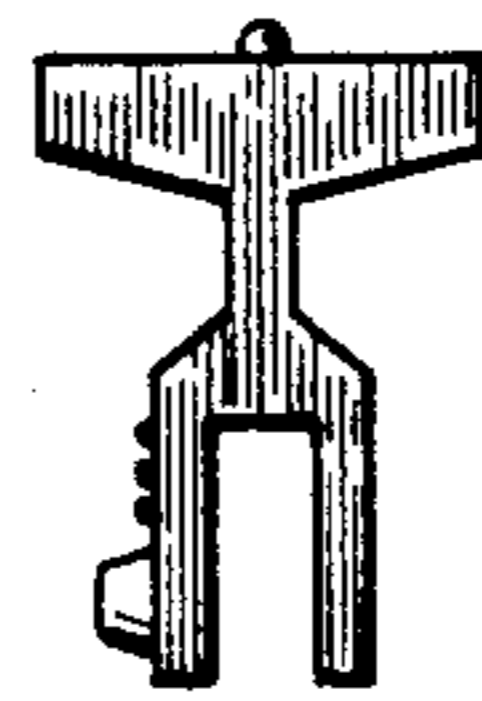


FIG. 6

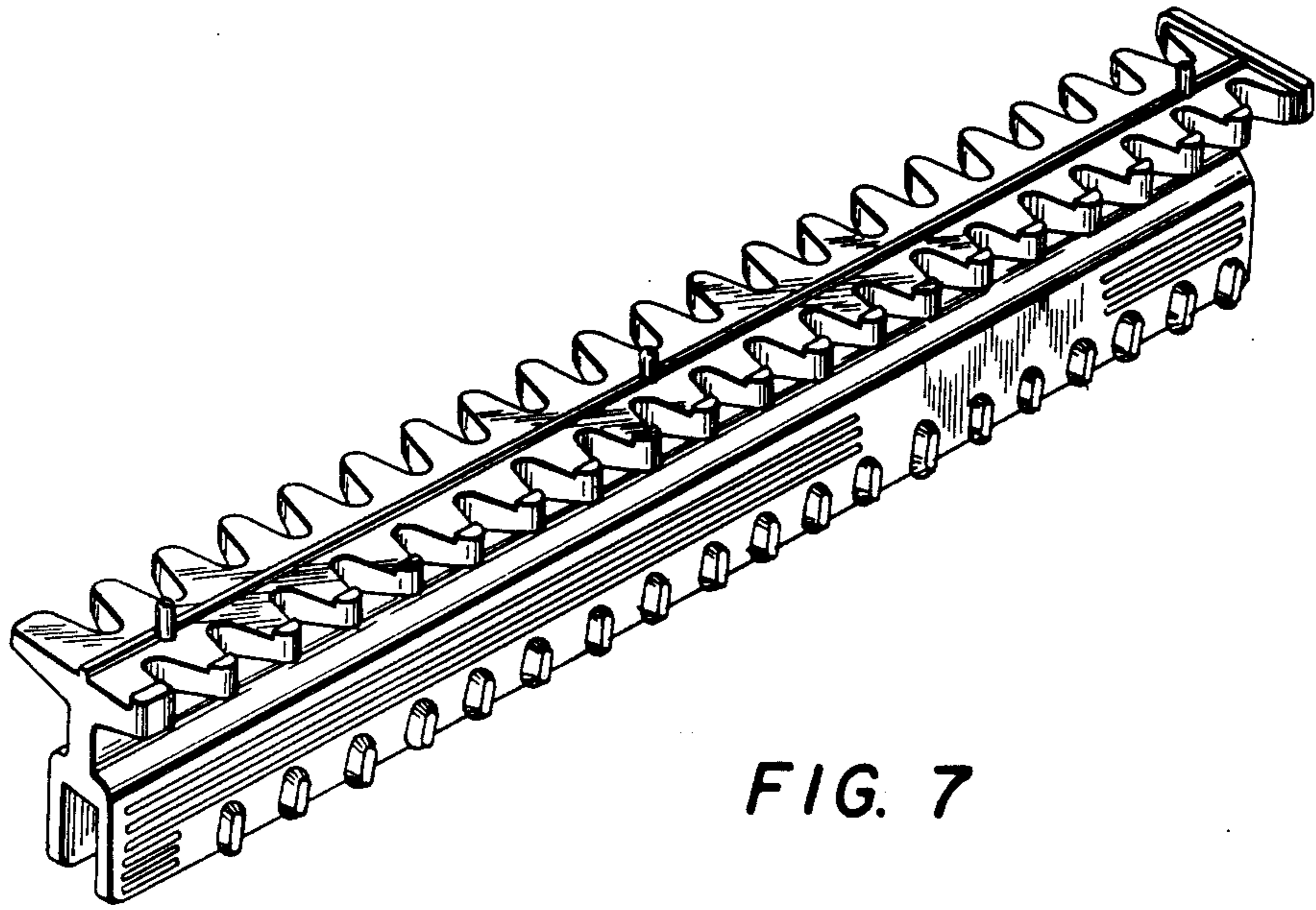


FIG. 7