

[54] SEWING MACHINE

[75] Inventors: Masamitu Sibuya, Hachiouzi; Shigemasa Katou, Kamakura; Masahiro Tanaka, Yokohama, all of Japan

[73] Assignee: Tokyo Juki Kogyo Kabushiki Kaisha, Chofu, Japan

[**] Term: 14 Years

[21] Appl. No.: 939,127

[22] Filed: Sep. 1, 1978

[51] Int. Cl. D15-06

[52] U.S. Cl. D15/68

[58] Field of Search D15/68, 69, 66, 70; 112/258, 259, 260

[56] References Cited

U.S. PATENT DOCUMENTS

D. 191,334 9/1961 Hamlett D15/69

D. 247,901	5/1978	Fresard	D15/70
3,393,886	7/1968	Glassman	112/260
3,677,210	7/1972	Perlino	112/258
4,040,369	8/1977	Kaito	112/258

Primary Examiner—Joel Stearman
Assistant Examiner—Carmen H. Vales
Attorney, Agent, or Firm—Haseltine, Lake & Waters

[57] CLAIM

The ornamental design for a sewing machine, substantially as shown.

DESCRIPTION

FIG. 1 is a front elevational view of a sewing machine, showing our new design;
FIG. 2 is a top plan view thereof;
FIG. 3 is a left side elevational view thereof;
FIG. 4 is a rear elevational view thereof;
FIG. 5 is a right side elevational view thereof;
FIG. 6 is a bottom plan view thereof; and
FIG. 7 is a perspective view with part of the casing separated.

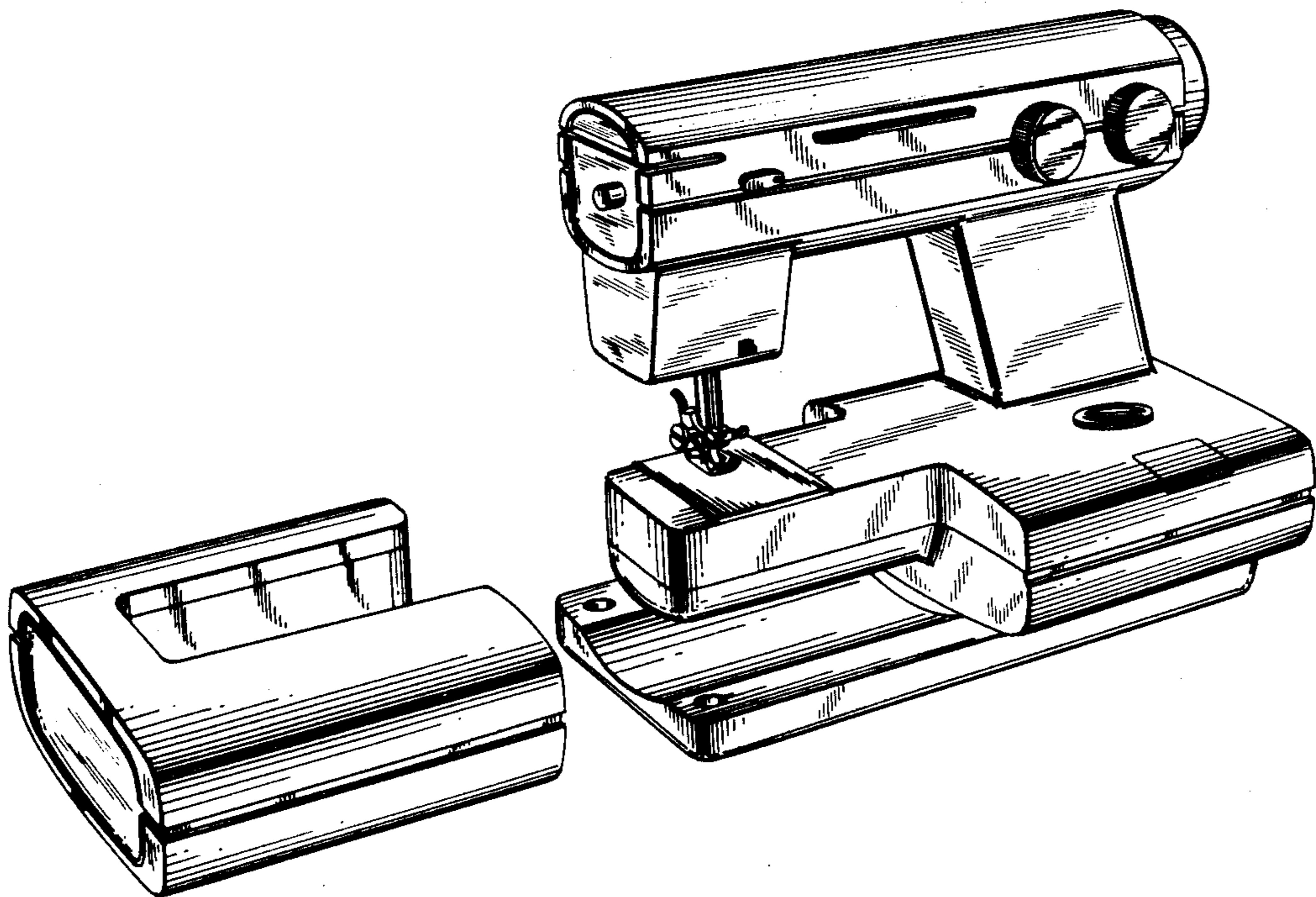


FIG. 1

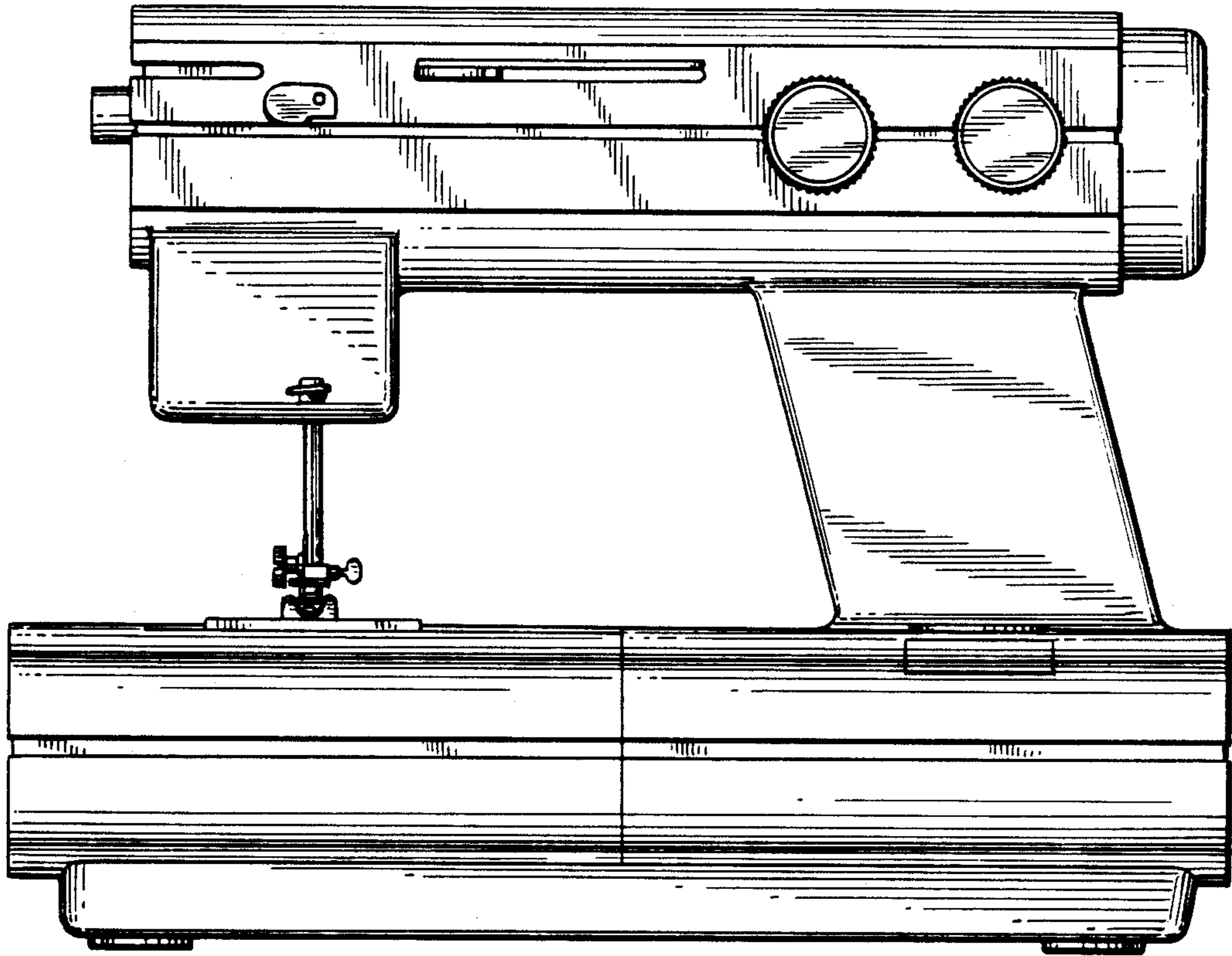
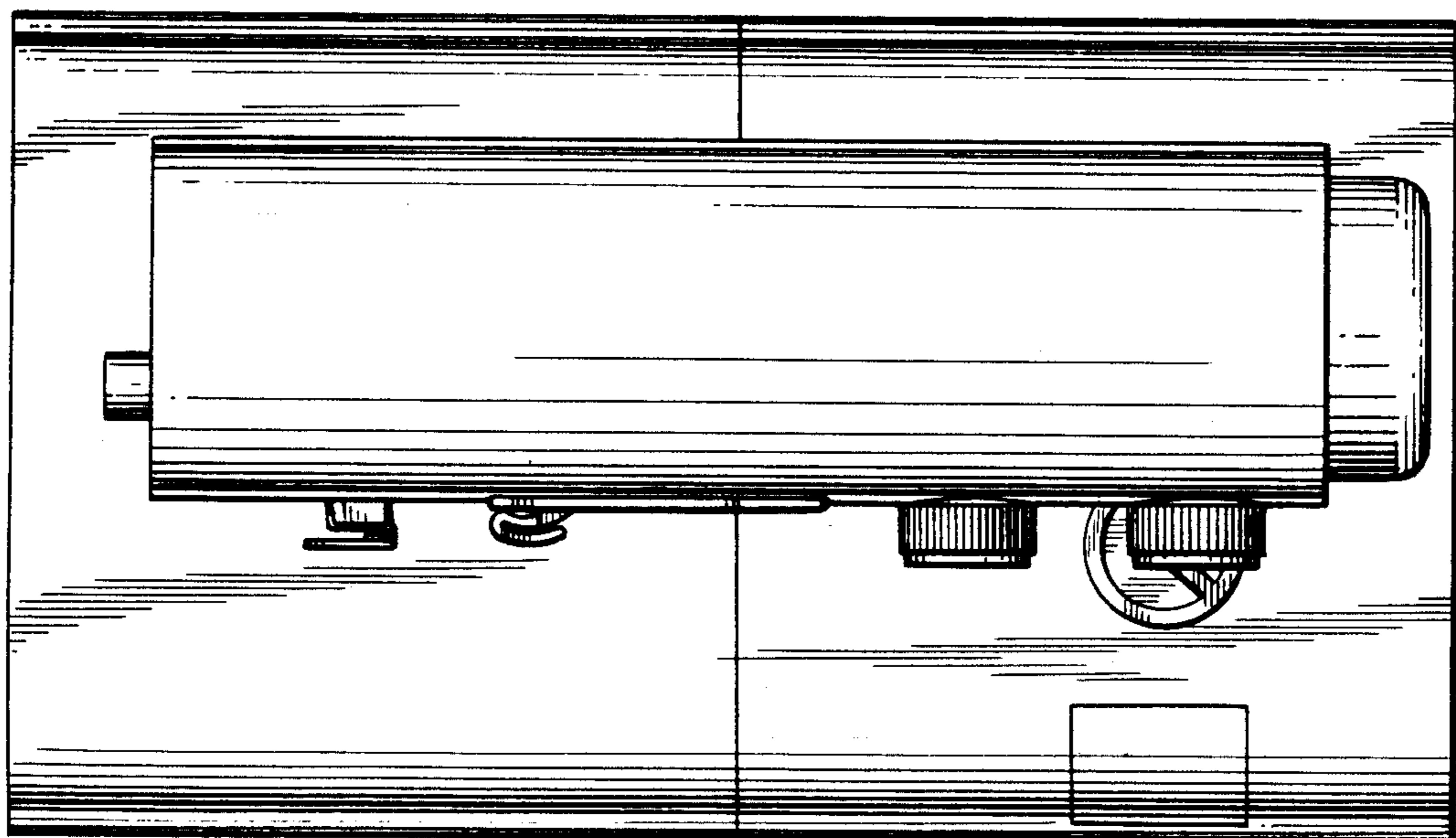


FIG. 2



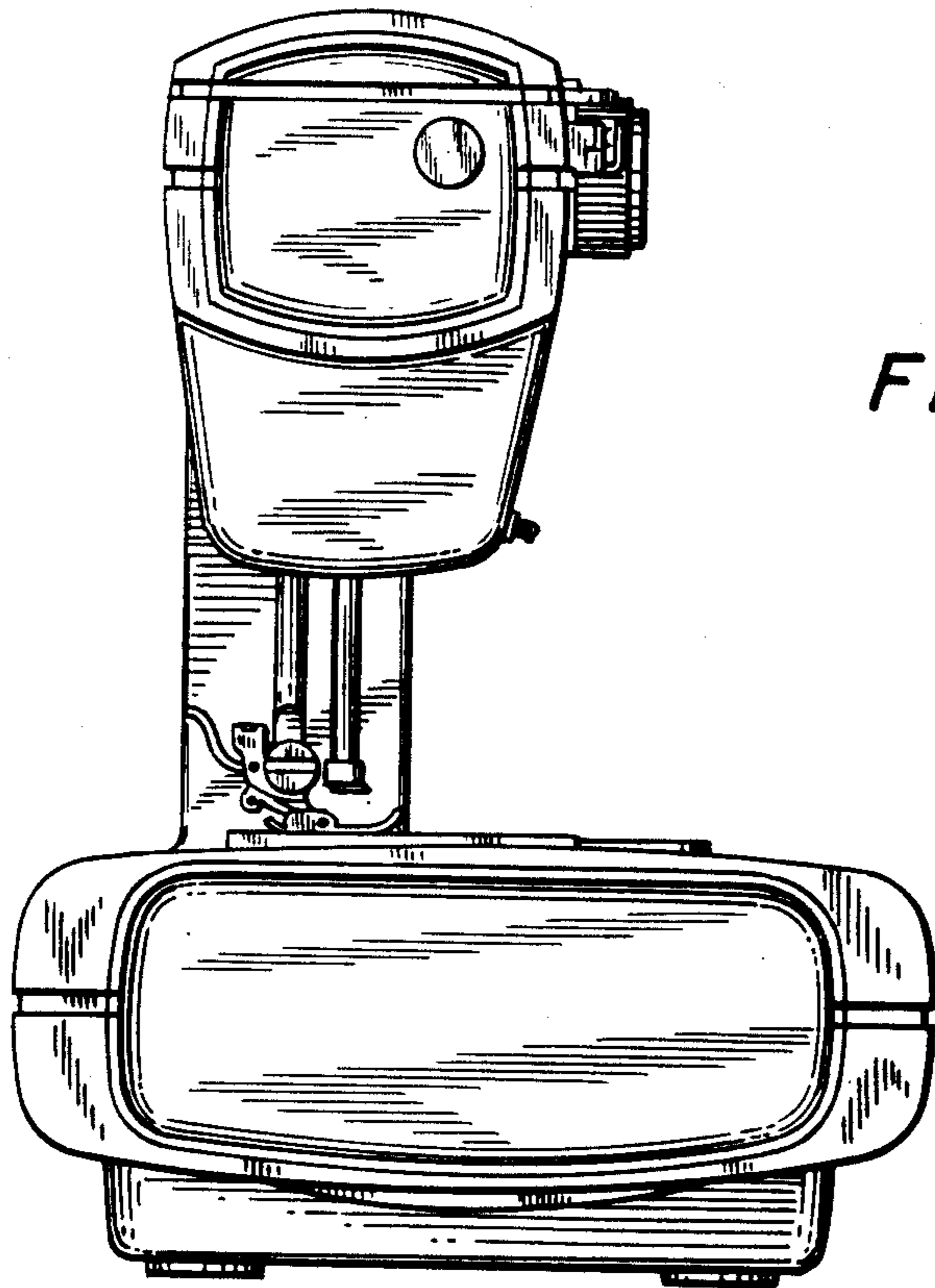


FIG. 3

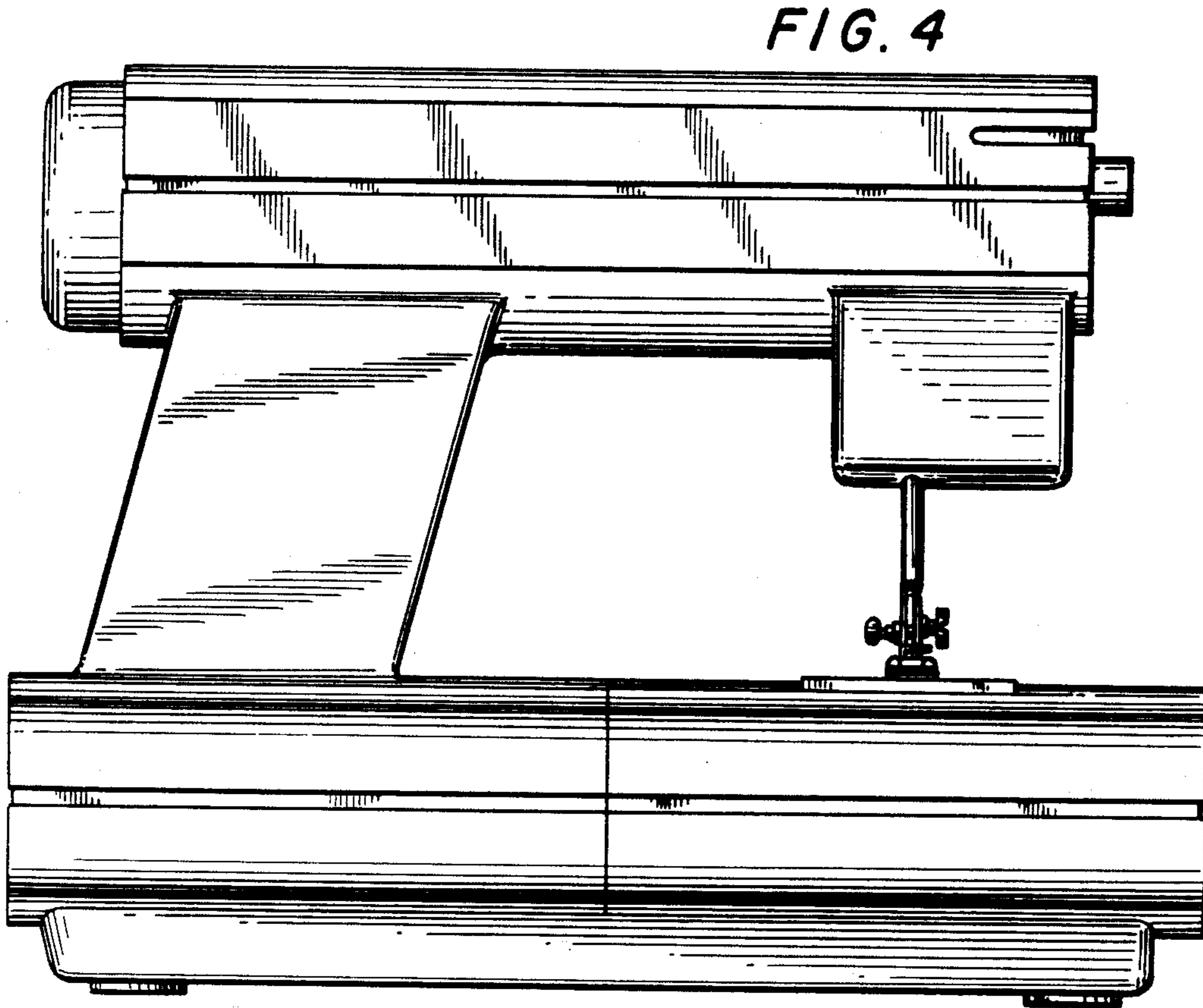


FIG. 4

FIG. 5

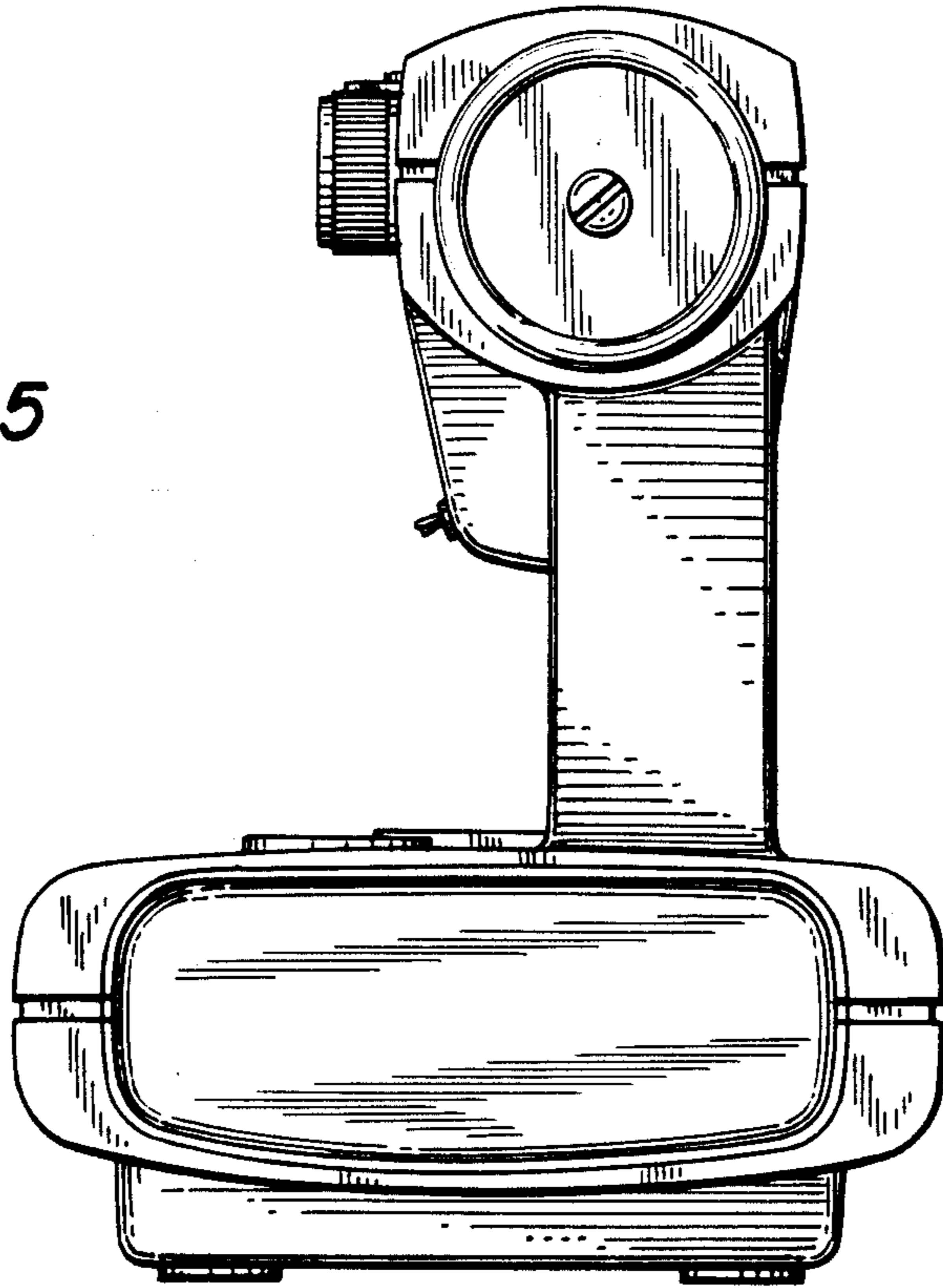
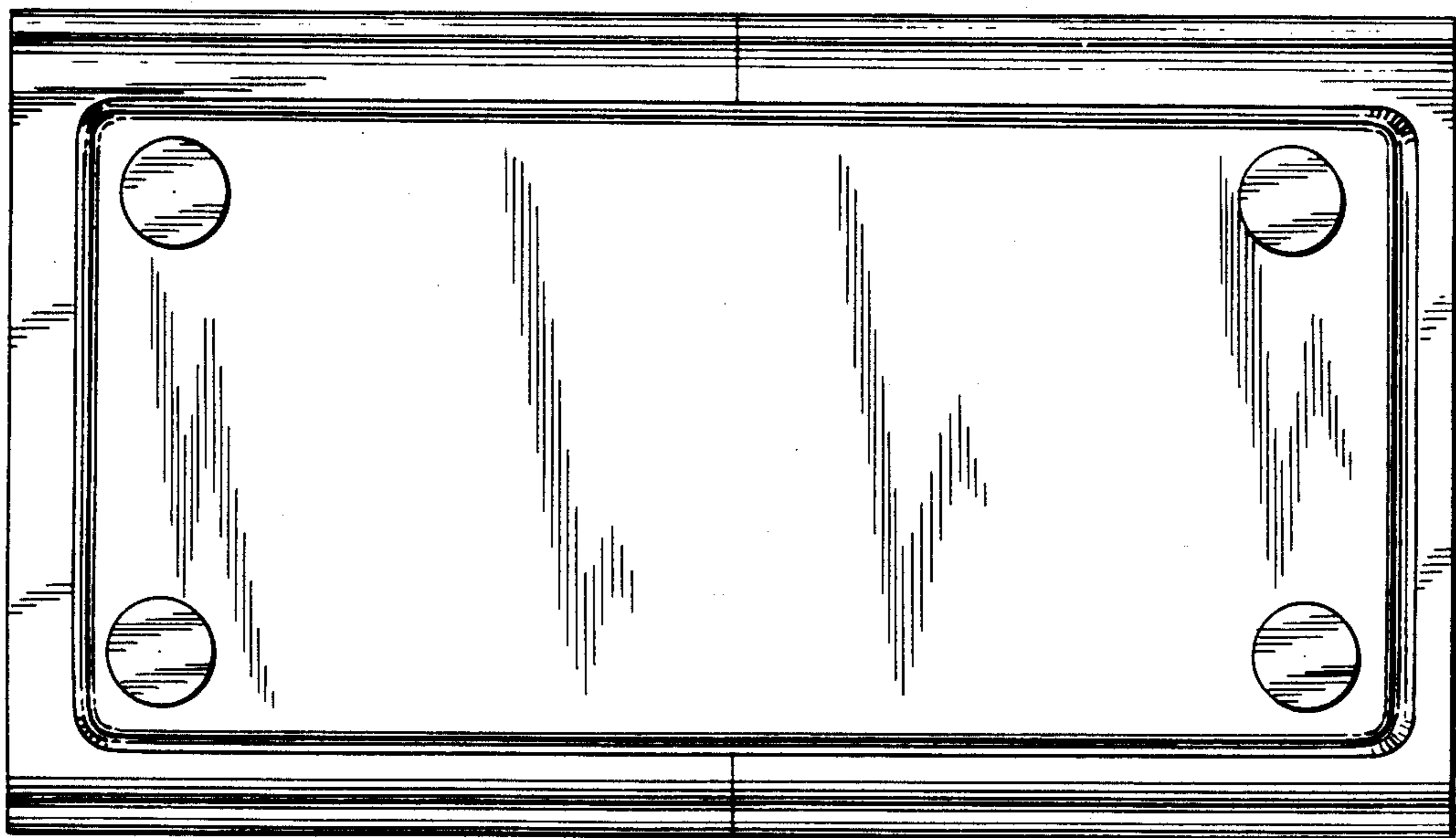


FIG. 6



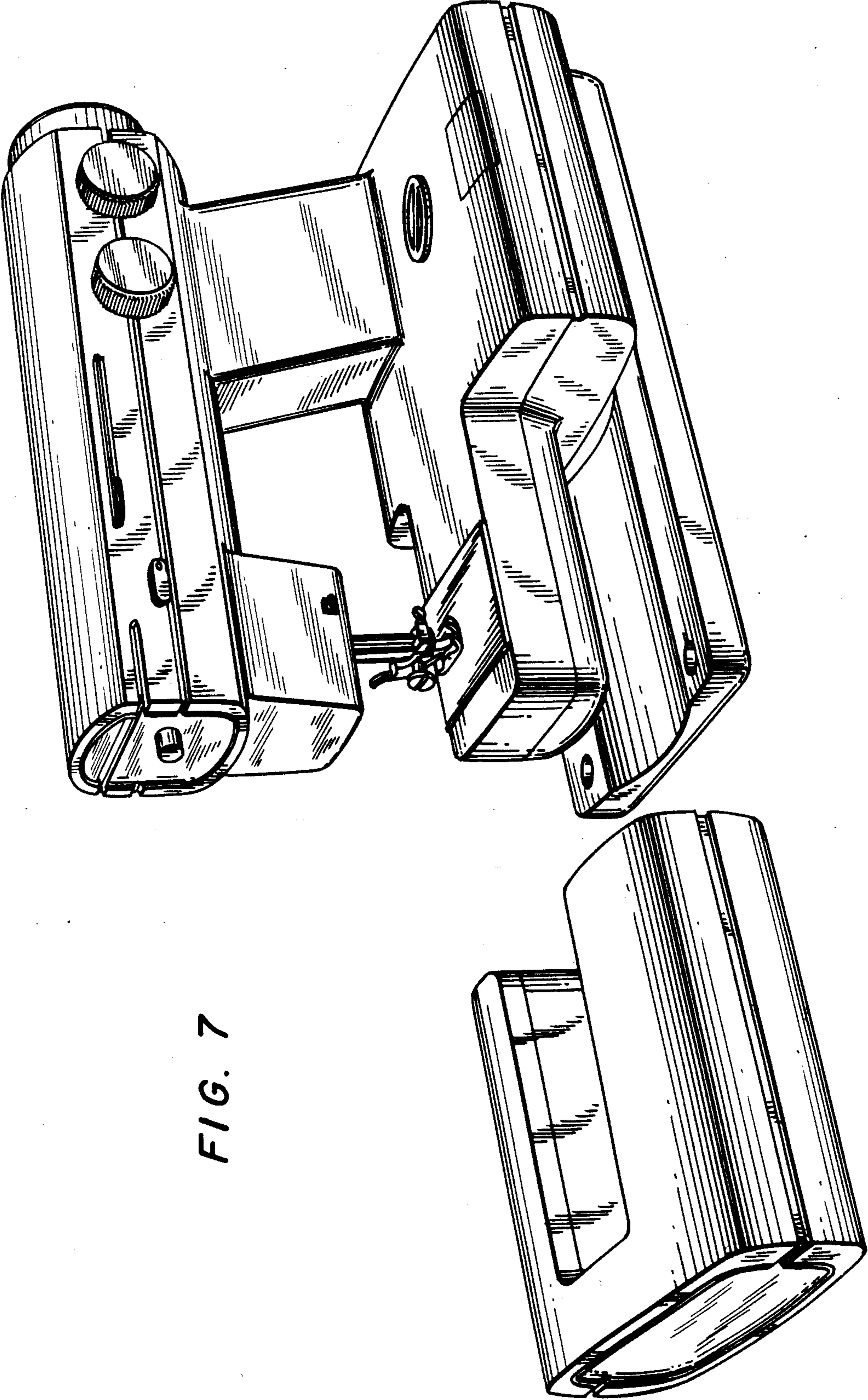


FIG. 7