

[54] **POWERED SWEEPER**

[75] Inventor: **Thomas S. Block**, Muskegon, Mich.

[73] Assignee: **Clarke-Gravelly Corporation**,
Muskegon, Mich.

[**] Term: **14 Years**

[21] Appl. No.: **830,491**

[22] Filed: **Sep. 6, 1977**

[51] Int. Cl. **D15-05**

[52] U.S. Cl. **D15/48**

[58] Field of Search **D15/48, 49, 50, 52,**
D15/53, 54, 55; 15/340, 353

3,663,985 5/1972 Burgoon 15/353

Primary Examiner—Catherine E. Kemper
Attorney, Agent, or Firm—Price, Heneveld, Huizenga & Cooper

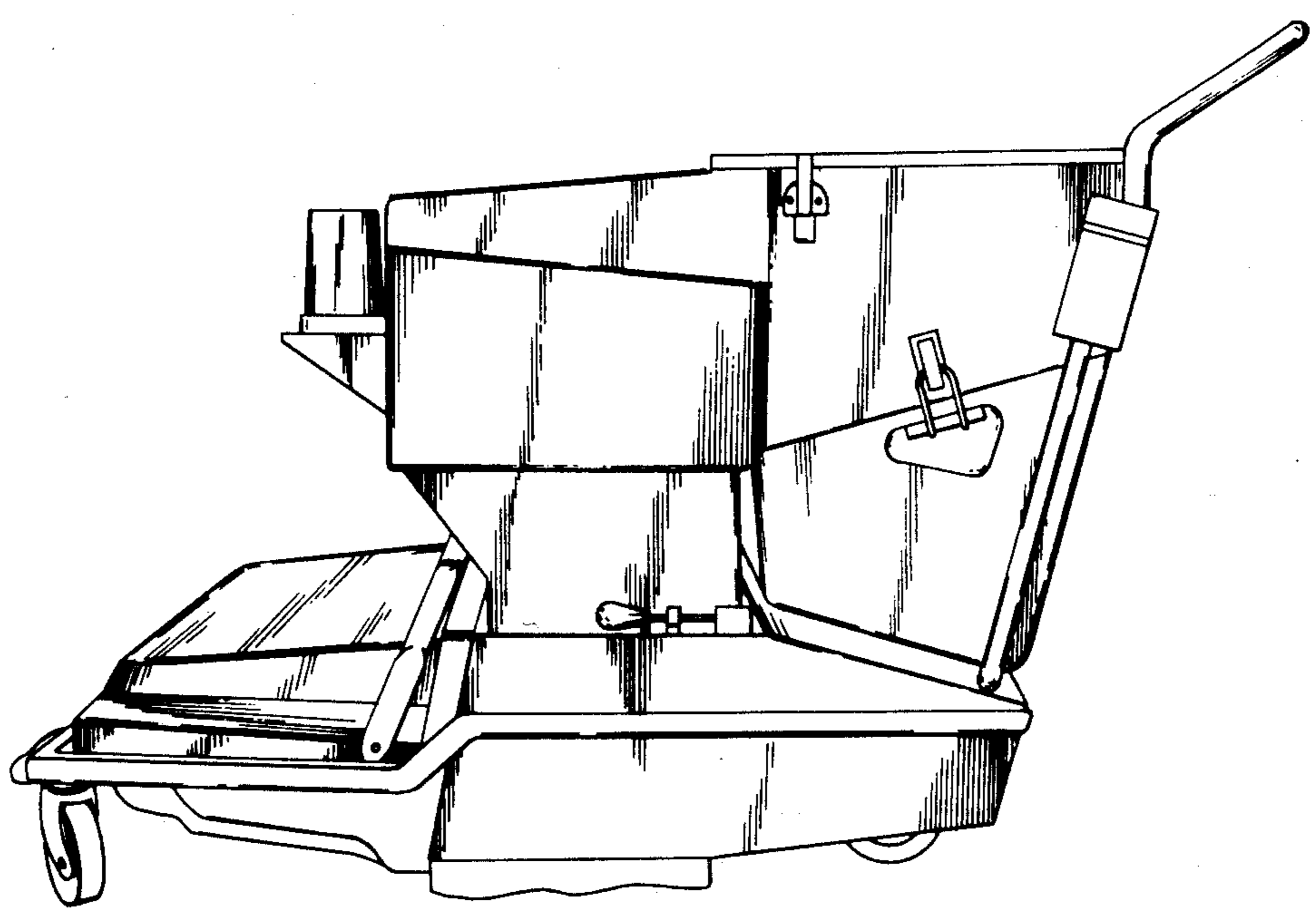
[57] **CLAIM**

The ornamental design for powered sweeper, substantially as shown and described.

DESCRIPTION

FIG. 1 is a front perspective view of a powered sweeper, showing my new design;
 FIG. 2 is a right side elevational view, shown with the caster wheels turned to the side;
 FIG. 3 is a left side elevational view thereof, shown with the caster wheels turned to the opposite side;
 FIG. 4 is a front elevational view thereof;
 FIG. 5 is a rear, elevational view thereof; and
 FIG. 6 is a top, plan view thereof.

[56] **References Cited**
U.S. PATENT DOCUMENTS
 D. 239,652 4/1976 Peabody et al. D15/49 X



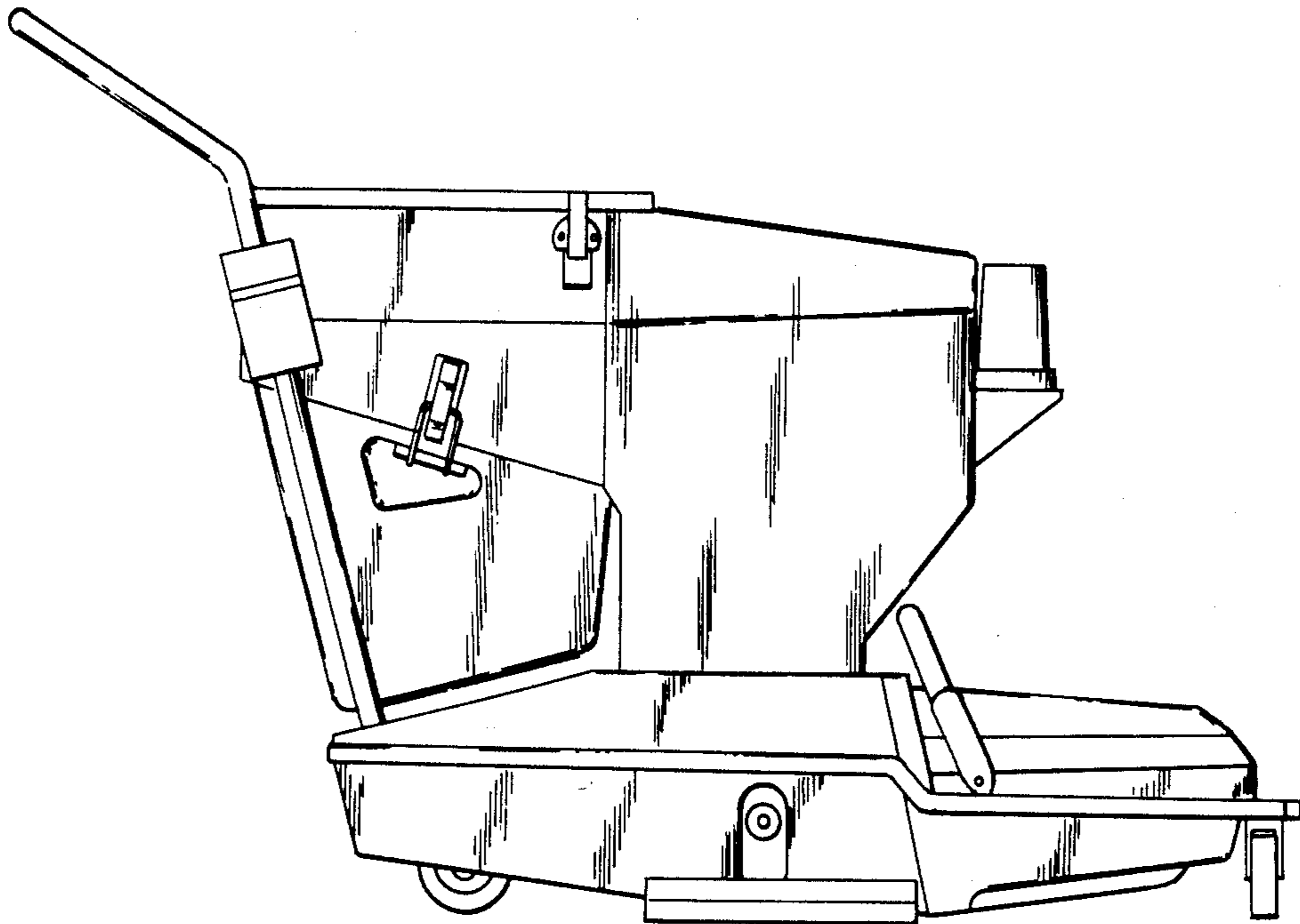


FIG. 2.

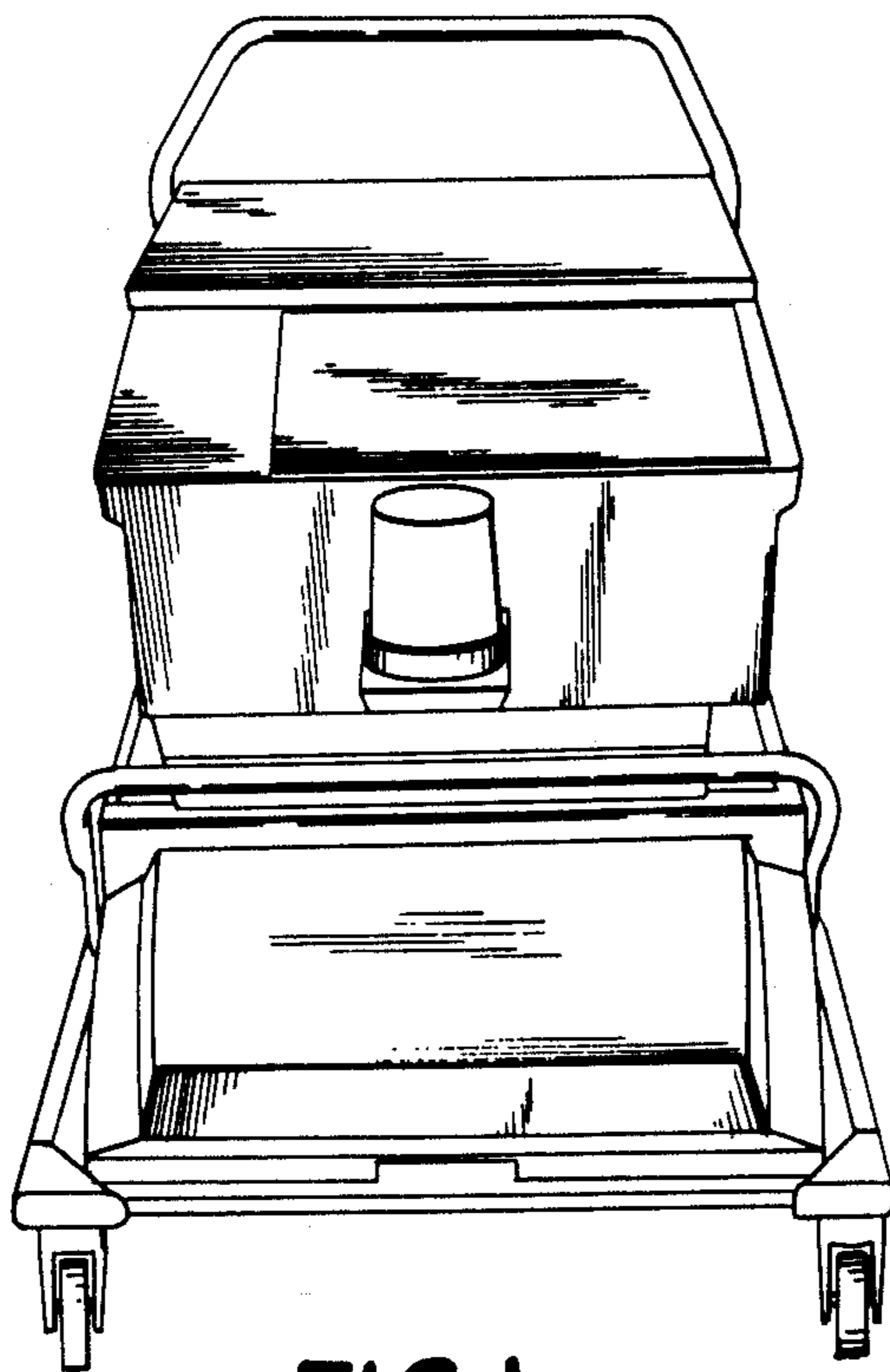


FIG. 1.

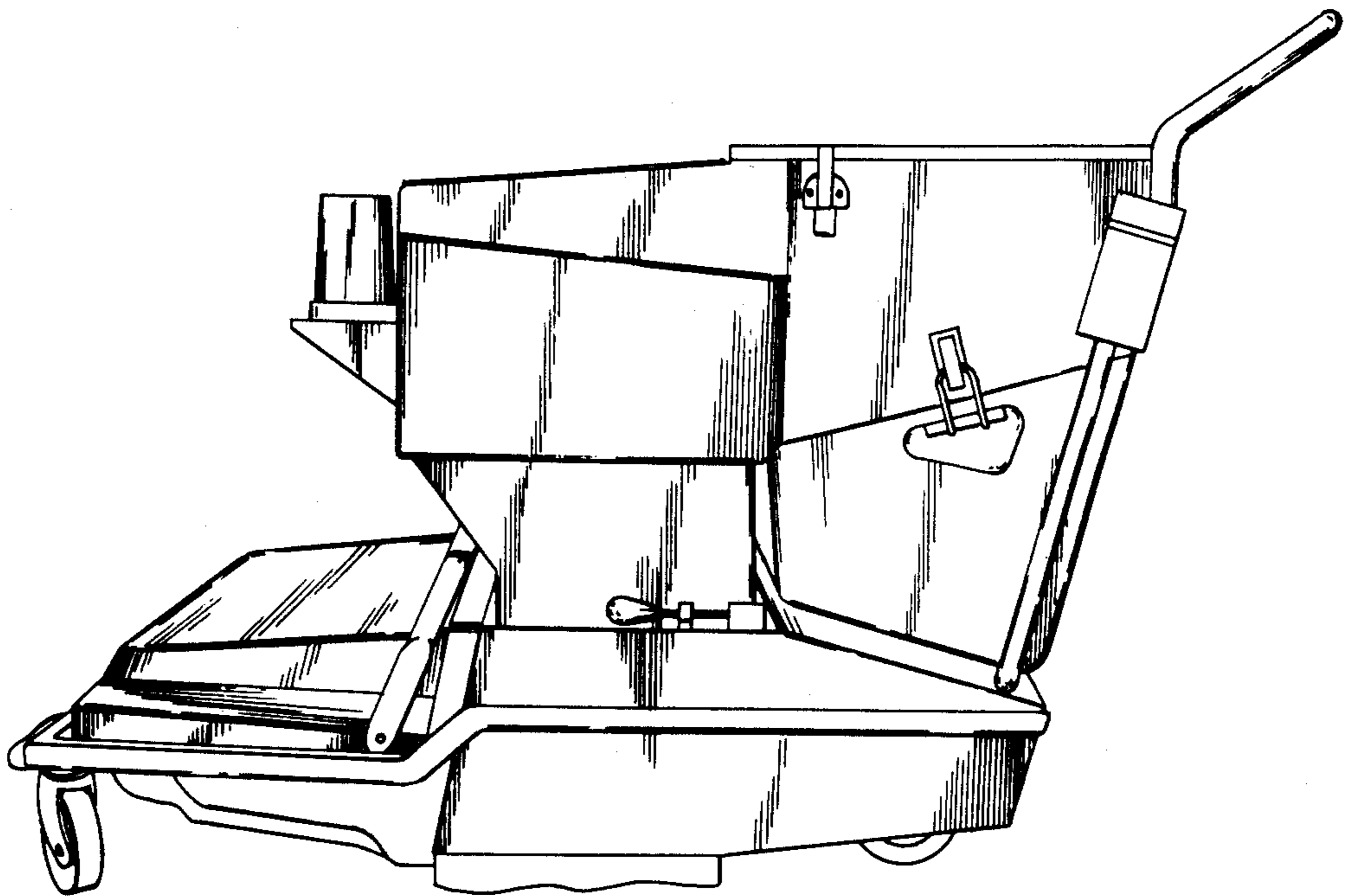


FIG. 3.

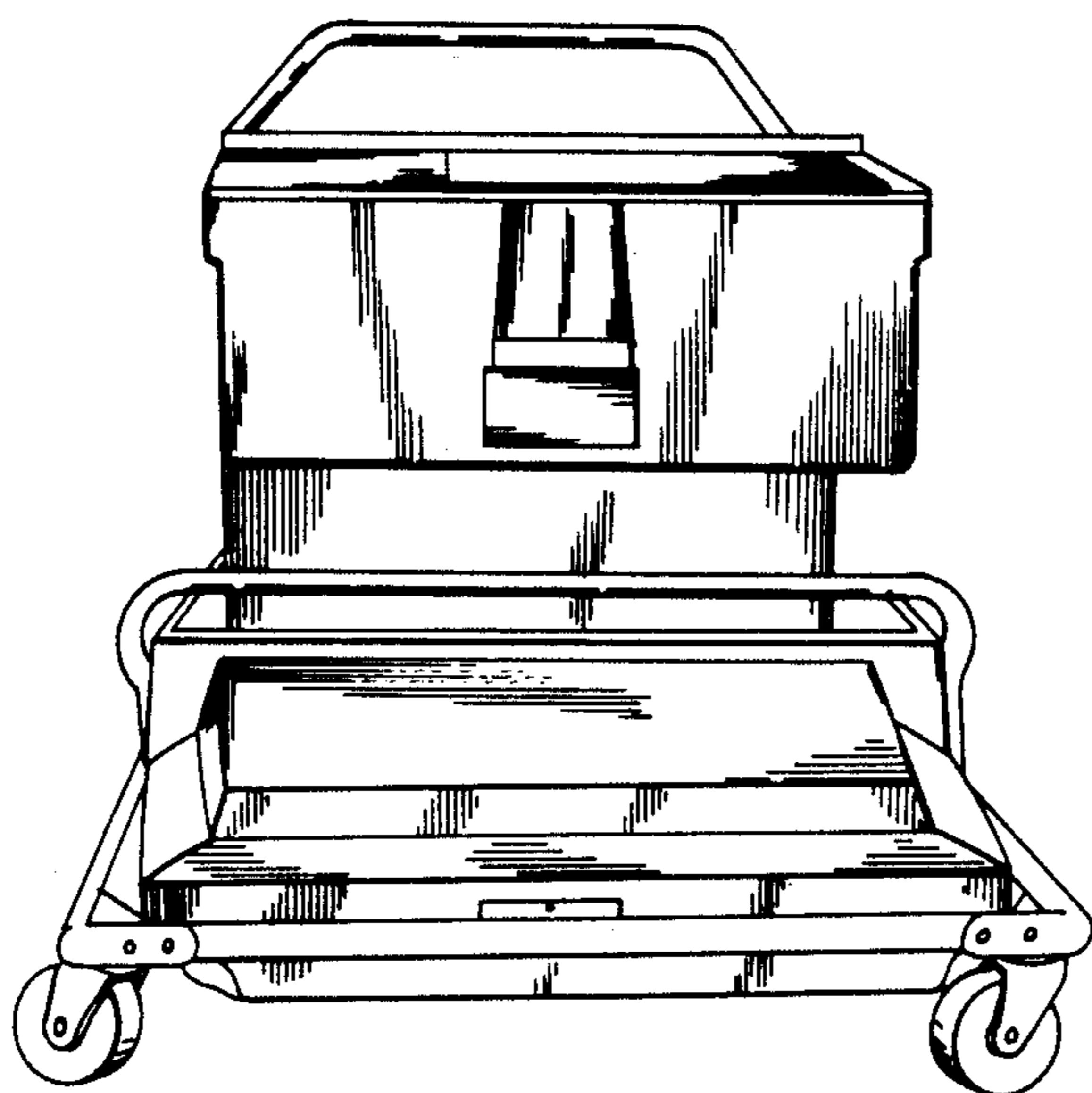


FIG. 4.

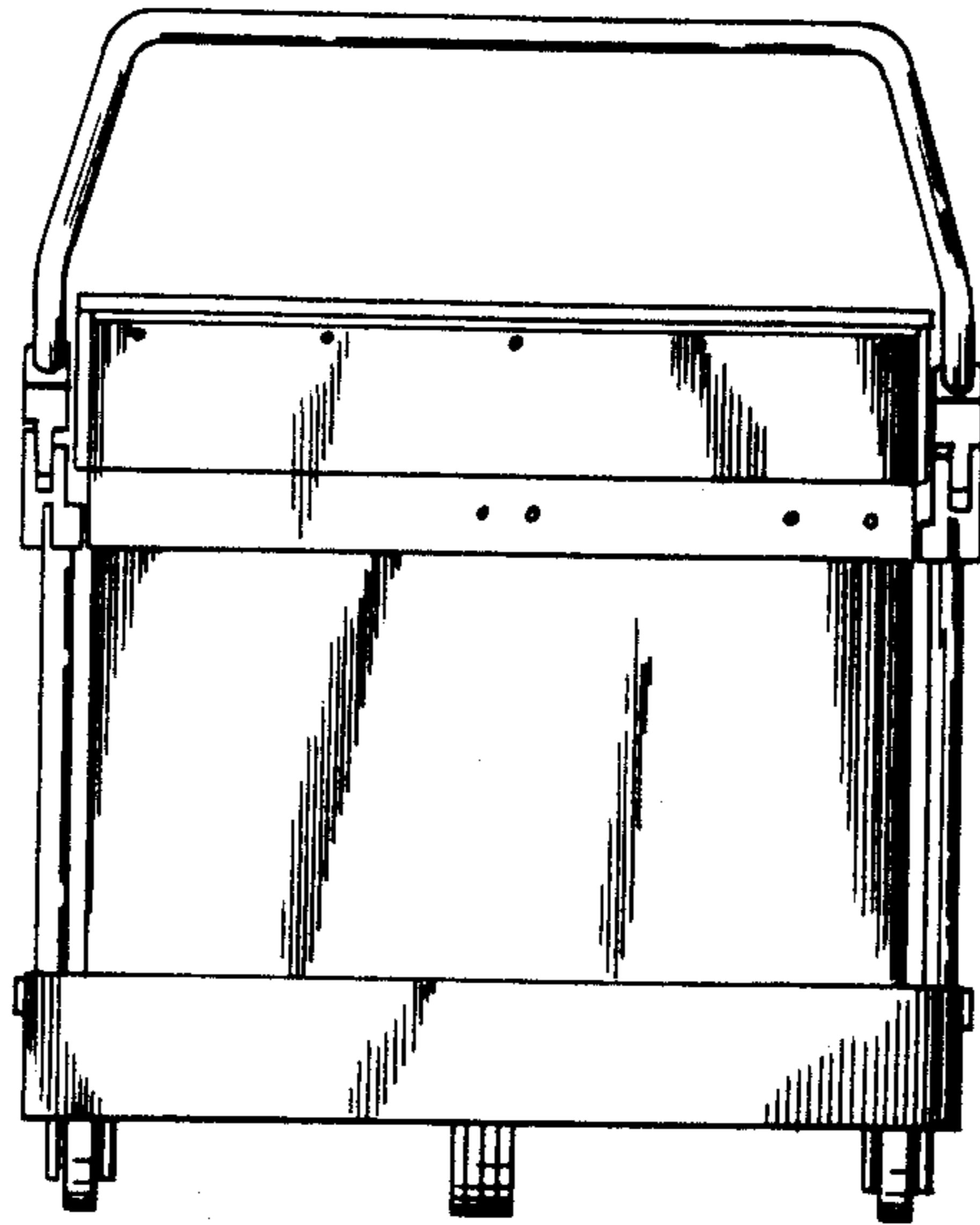


FIG. 5.

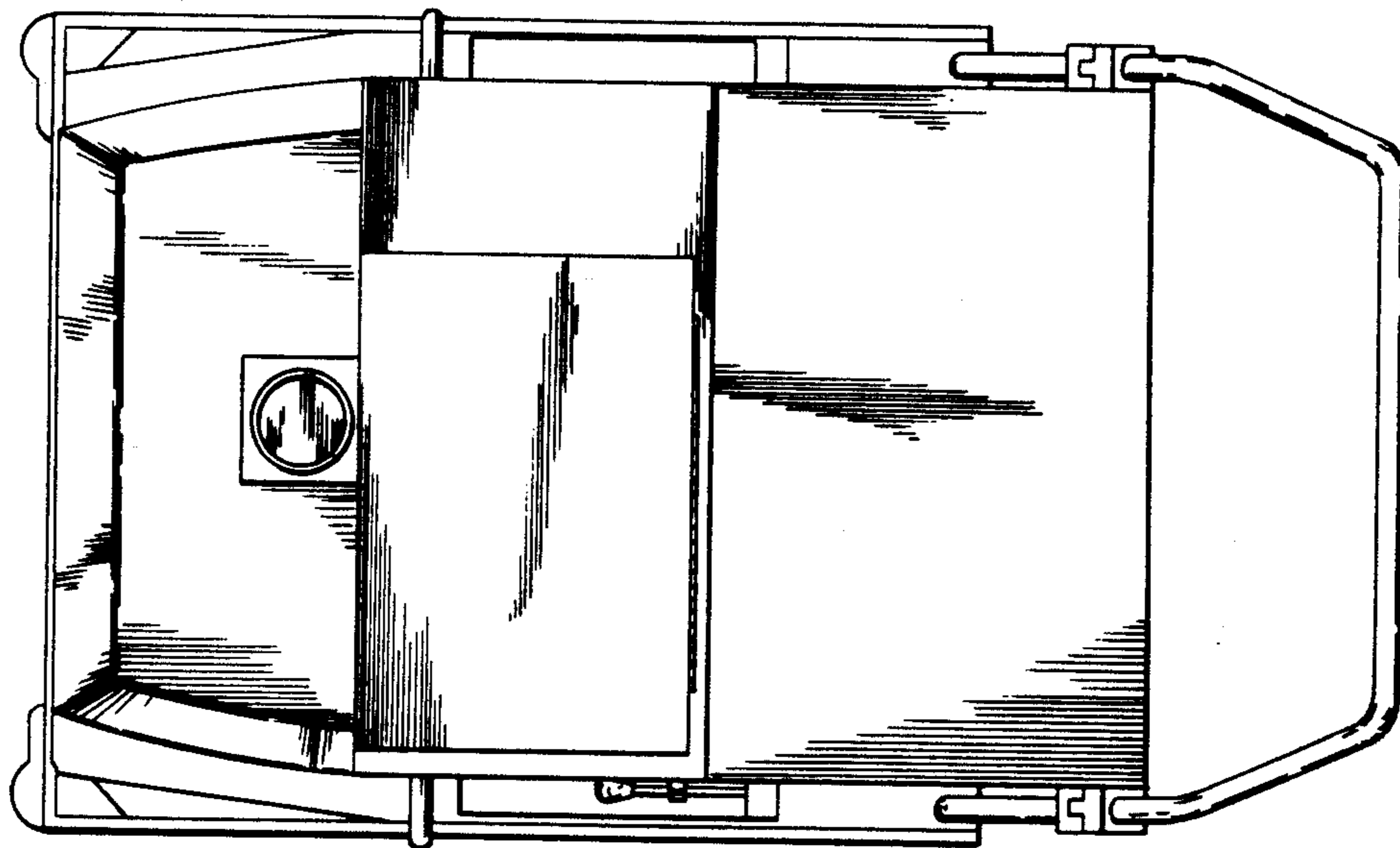


FIG. 6.