

[54] **PORTABLE DRUM MIX PLANT WITH BAGHOUSE**

[75] Inventors: **Erbie G. Mize; Irwin M. Riske**, both of Chattanooga, Tenn.

[73] Assignee: **Astec Industries, Inc.**, Chattanooga, Tenn.

[\*\*] Term: **14 Years**

[21] Appl. No.: **891,945**

[22] Filed: **Mar. 30, 1978**

[51] Int. Cl. .... **D15-04**

[52] U.S. Cl. .... **D15/19**

[58] Field of Search ..... **D15/19; D12/96, 97; D25/3; 366/21-25**

[56] **References Cited**

**U.S. PATENT DOCUMENTS**

3,905,587 9/1975 Freeman ..... 366/25

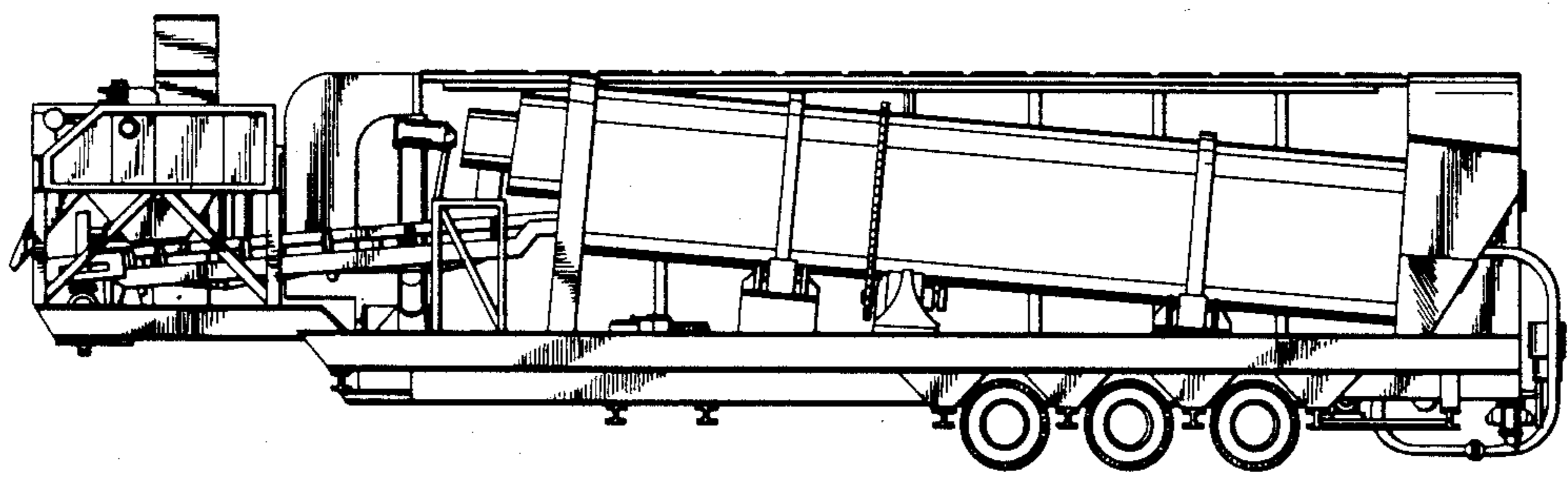
*Primary Examiner*—James M. Gandy  
*Attorney, Agent, or Firm*—Jones, Thomas & Askew

[57] **CLAIM**

The ornamental design for a portable drum mix plant with baghouse, substantially as shown.

**DESCRIPTION**

FIG. 1 is a top plan view of the portable drum mix plant with baghouse;  
 FIG. 2 is a front elevational view thereof;  
 FIG. 3 is a rear elevational view thereof;  
 FIG. 4 is a right side elevational view thereof;  
 FIG. 5 is a left side elevational view thereof;  
 FIG. 6 is a bottom plan view thereof.



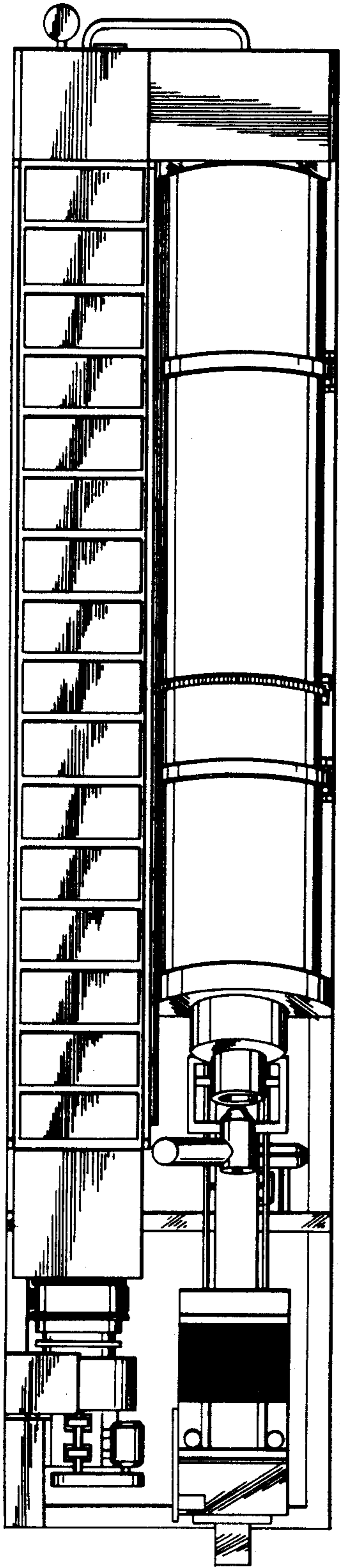


Fig. 1

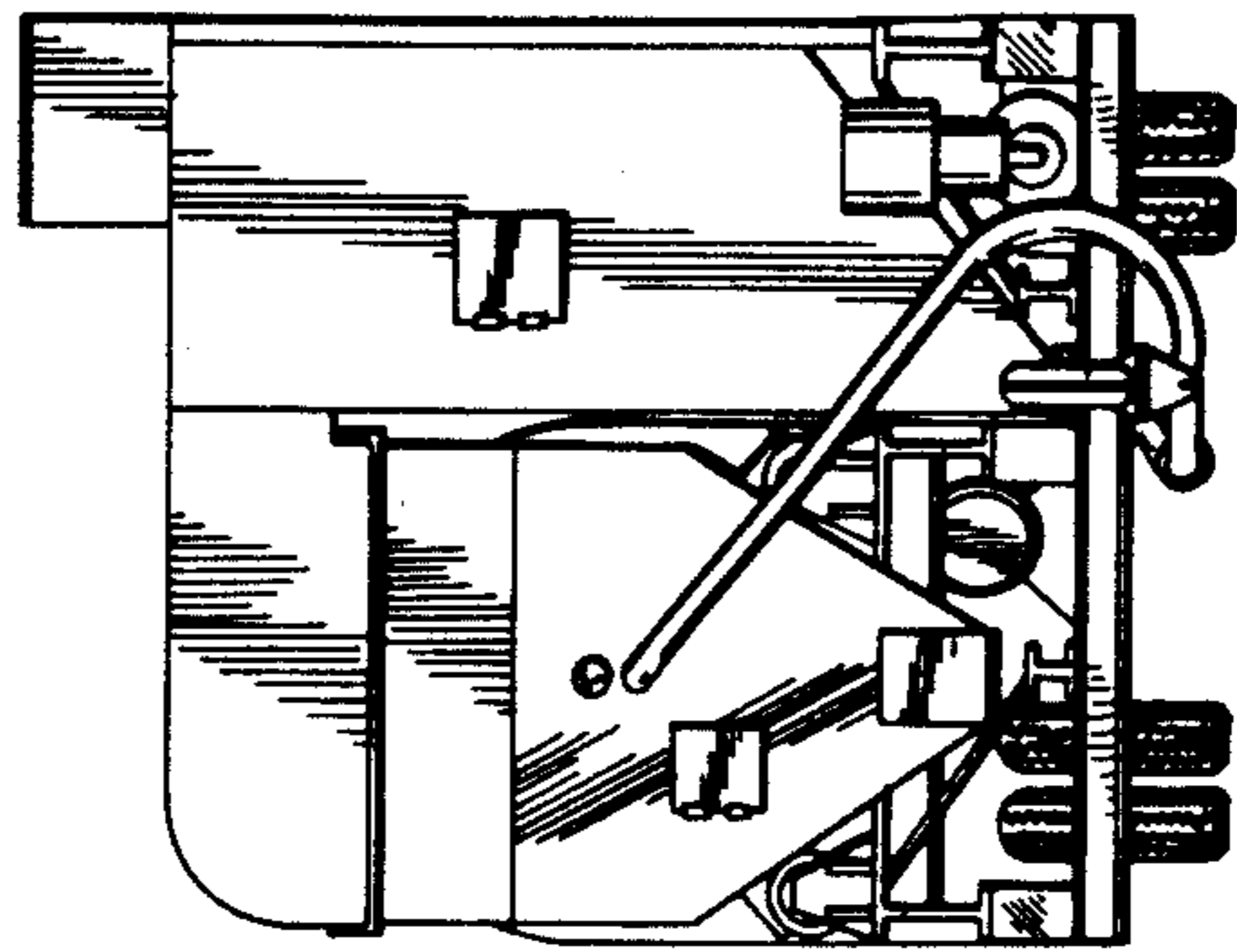


Fig. 3

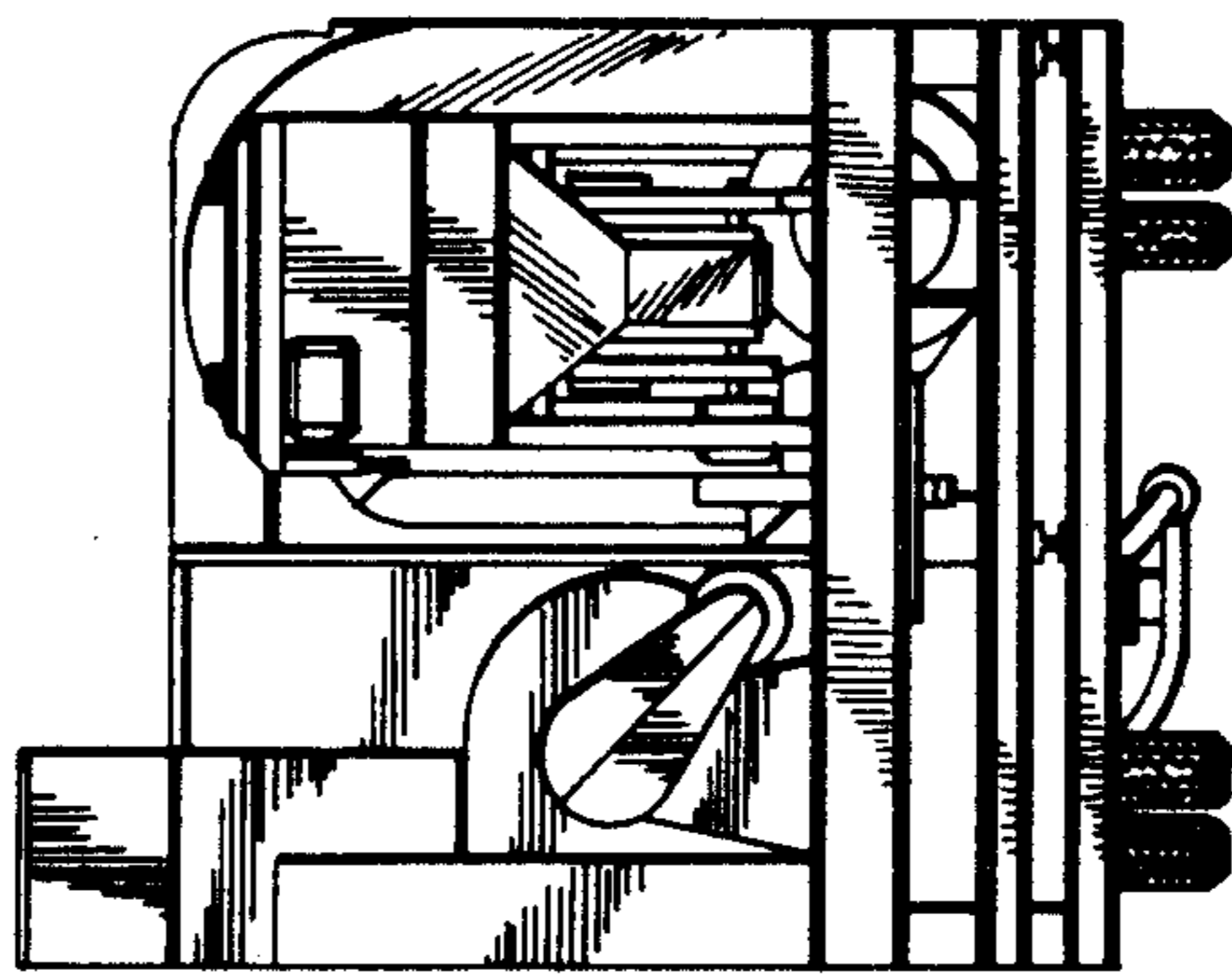
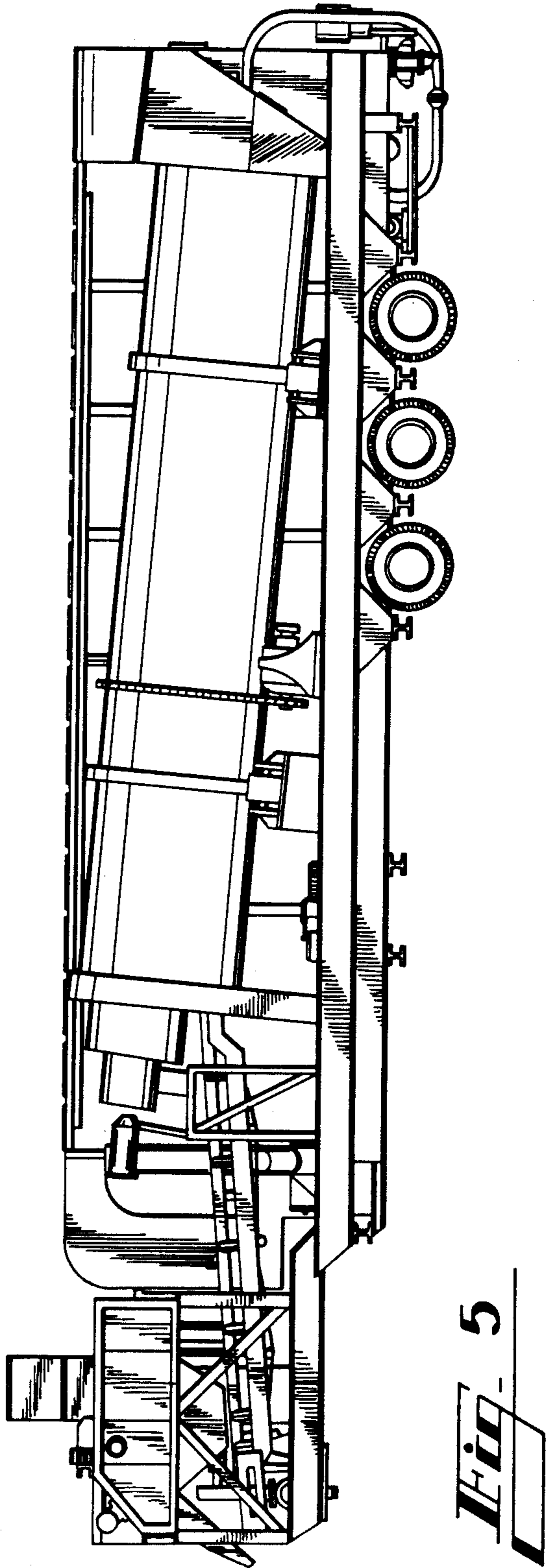
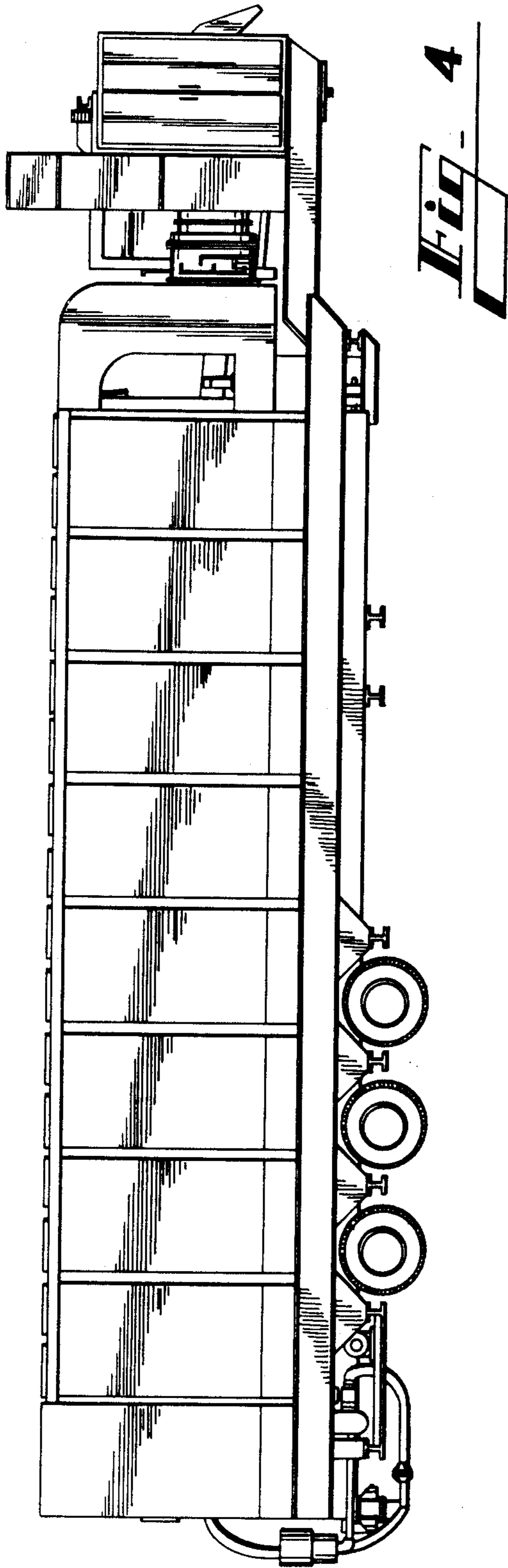
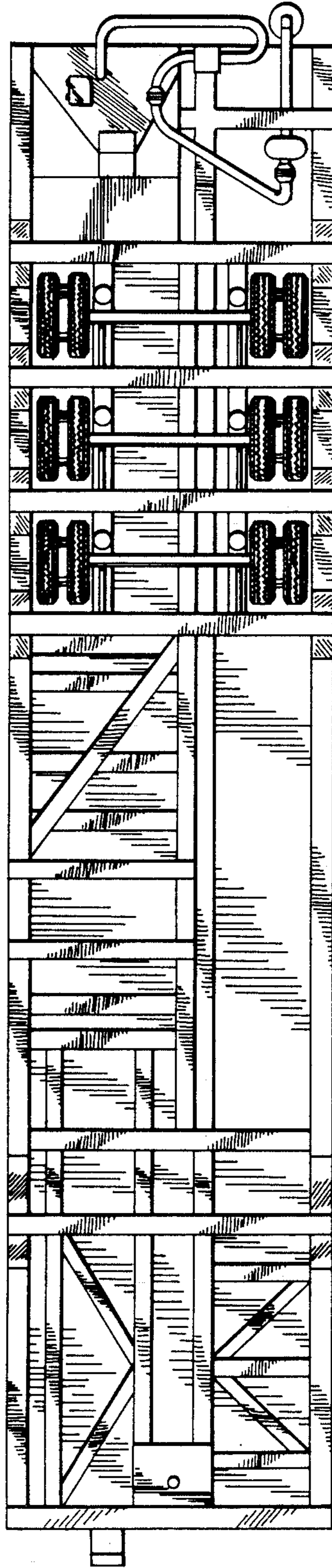


Fig. 2





**Fig. 6**