

[54] TIMING RELAY

3,160,719 12/1964 Seidel ..... 200/38 R  
3,835,353 9/1974 Clarke ..... 361/142

[75] Inventors: Teizo Fujita, Ibaraki; Syunzo Yoshida, Takatsuki, both of Japan

FOREIGN PATENT DOCUMENTS

[73] Assignee: Izumi Denki Corporation, Osaka, Japan

1118869 12/1961 Fed. Rep. of Germany ..... 200/159 R

[\*\*] Term: 14 Years

OTHER PUBLICATIONS

Design News, 11-17-75, p. 38, Timer.

[21] Appl. No.: 839,505

Primary Examiner—Susan J. Lucas

Attorney, Agent, or Firm—Haseltine, Lake & Waters

[22] Filed: Oct. 4, 1977

[57] CLAIM

[30] Foreign Application Priority Data

The ornamental design for a timing relay, as shown and described.

Apr. 18, 1977 [JP] Japan ..... 52/14571  
Apr. 19, 1977 [JP] Japan ..... 52/14754  
Apr. 30, 1977 [JP] Japan ..... 52/16562

DESCRIPTION

[51] Int. Cl. .... D13-03

FIG. 1 is a front, left side and top perspective view of a timing relay showing our new design according to a first embodiment thereof,

[52] U.S. Cl. .... D13/33

FIG. 2 is a right side elevational view thereof,

[58] Field of Search ..... D13/32, 33; 200/5 R, 200/5 A, 31 R, 36, 38 R, 38 F, 38 FA, 38 FB, 38 C, 38 D, 155 R, 159 R, 293, 299, 303, 302; 335/17, 18, 20, 21, 24; 361/102, 115, 353, 354, 142, 563, 357, 376

FIG. 3 is a bottom plan view thereof,

FIG. 4 is a top plan view thereof;

FIG. 5 is a front, left side and top perspective view of a timing relay showing our new design according to a second embodiment thereof; and

FIG. 6 is a front, left side and top perspective view of a timing relay showing our new design according to a third embodiment thereof.

[56] References Cited

U.S. PATENT DOCUMENTS

2,313,569 3/1943 Munthesen ..... 200/35 R

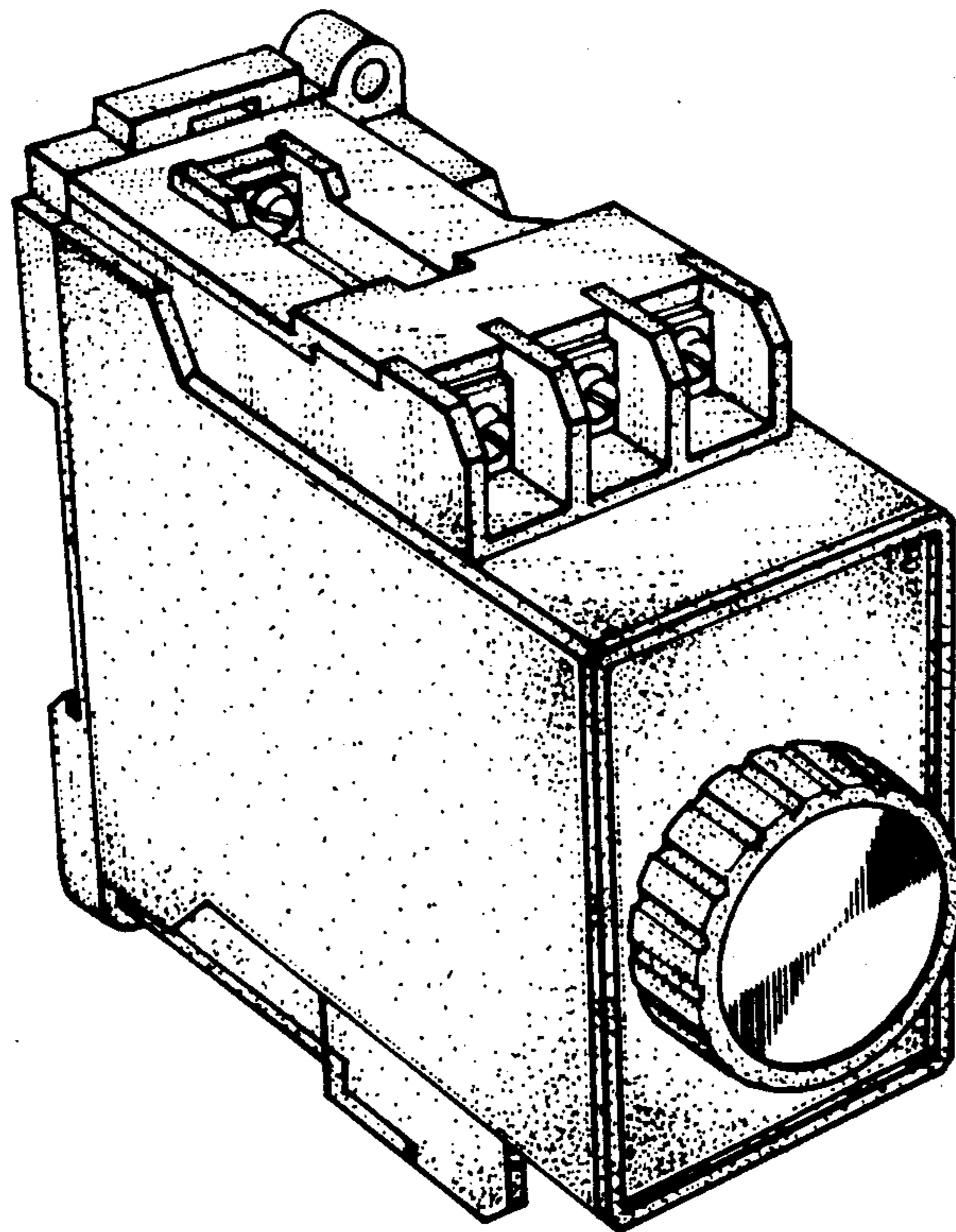


FIG. 1

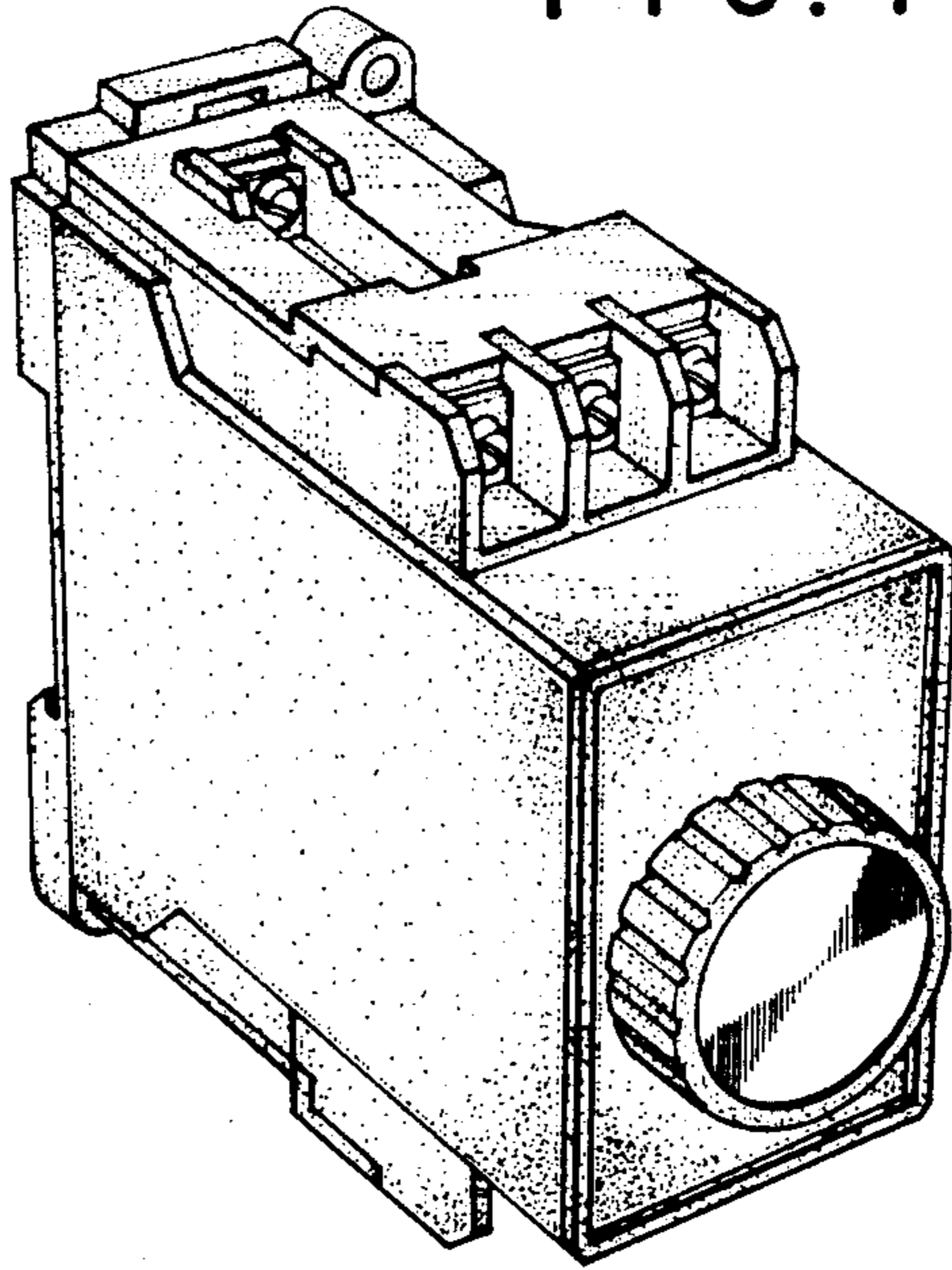


FIG. 3

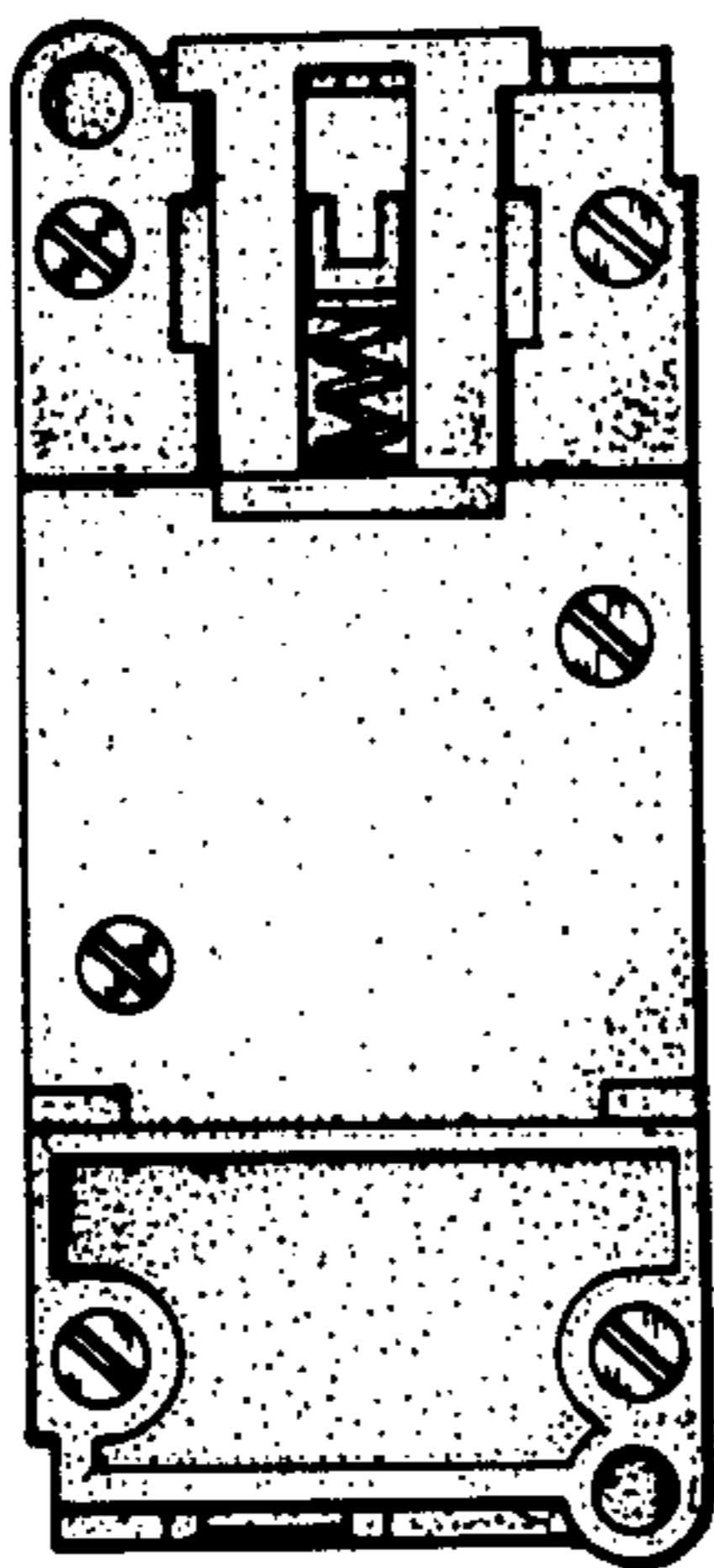


FIG. 2

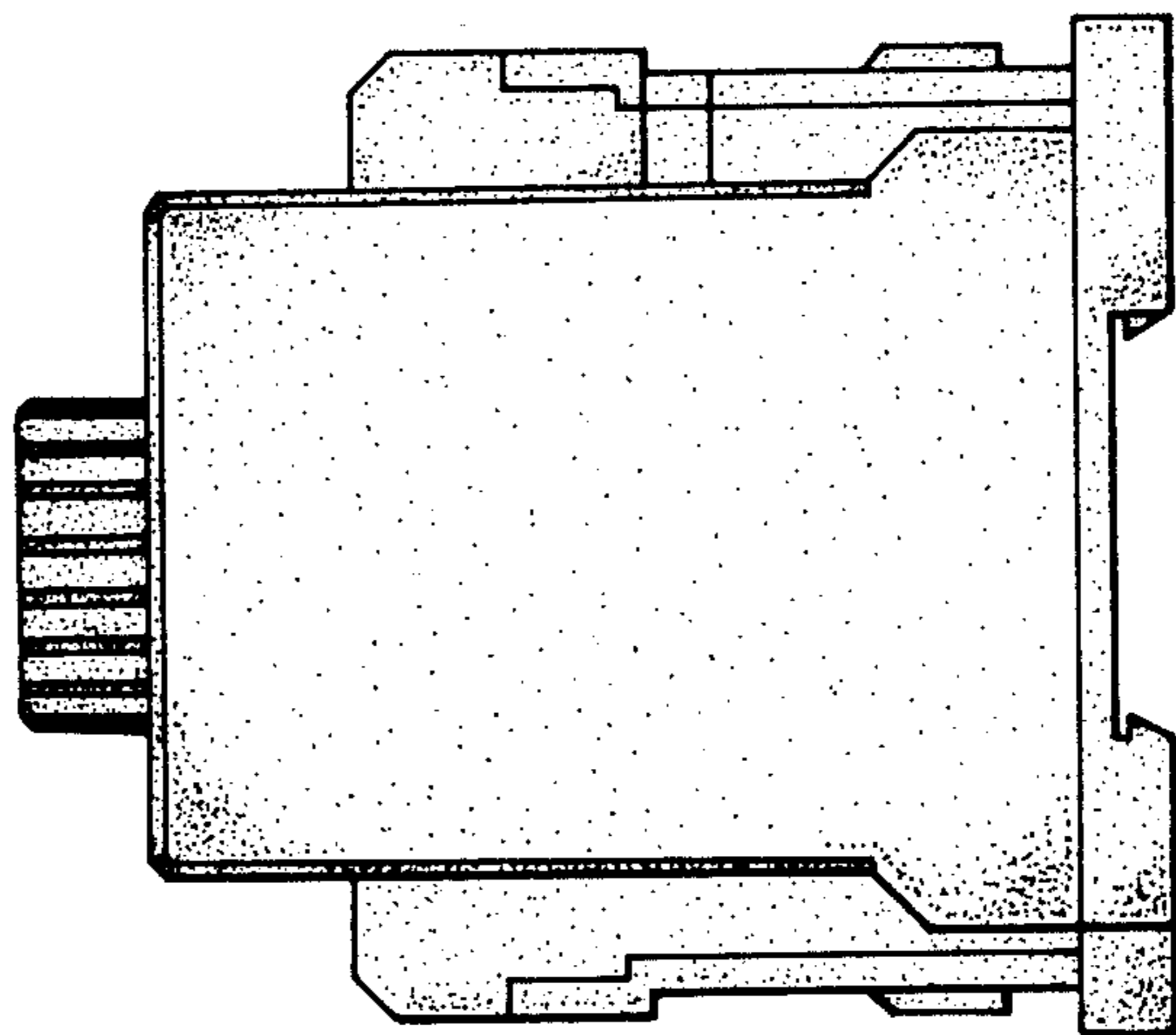


FIG. 4

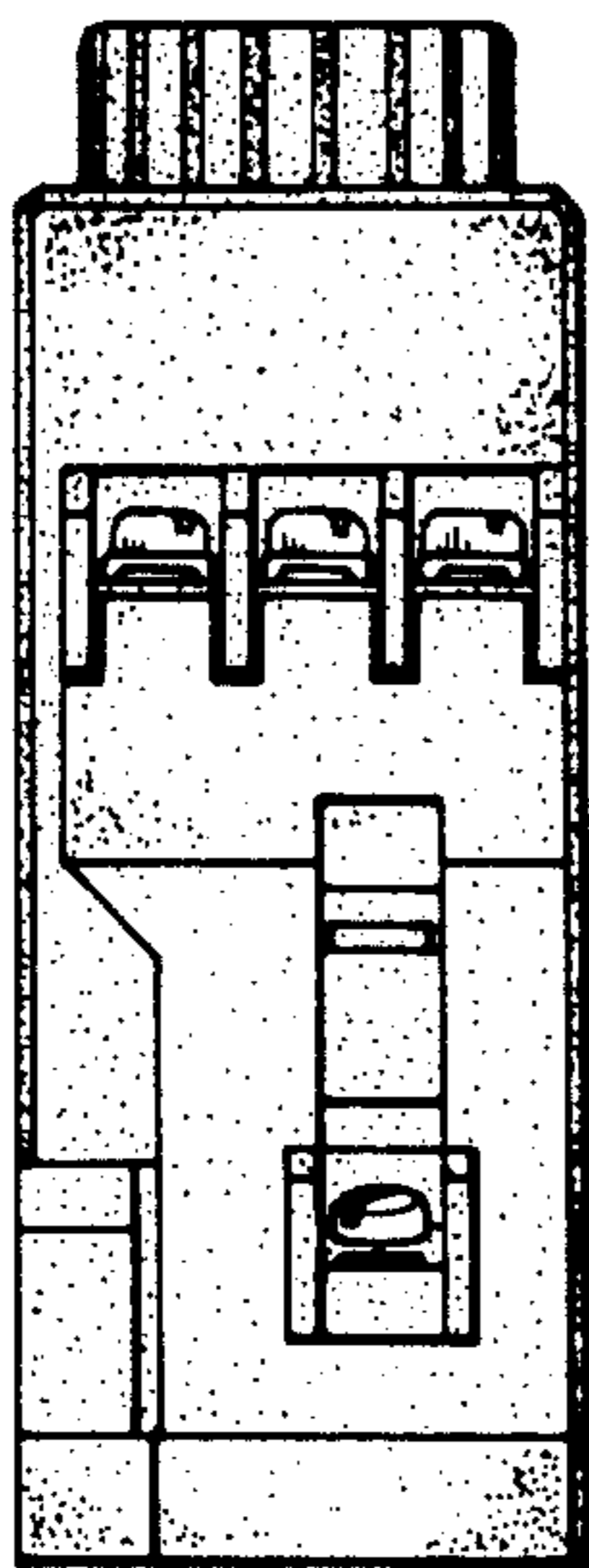


FIG. 5

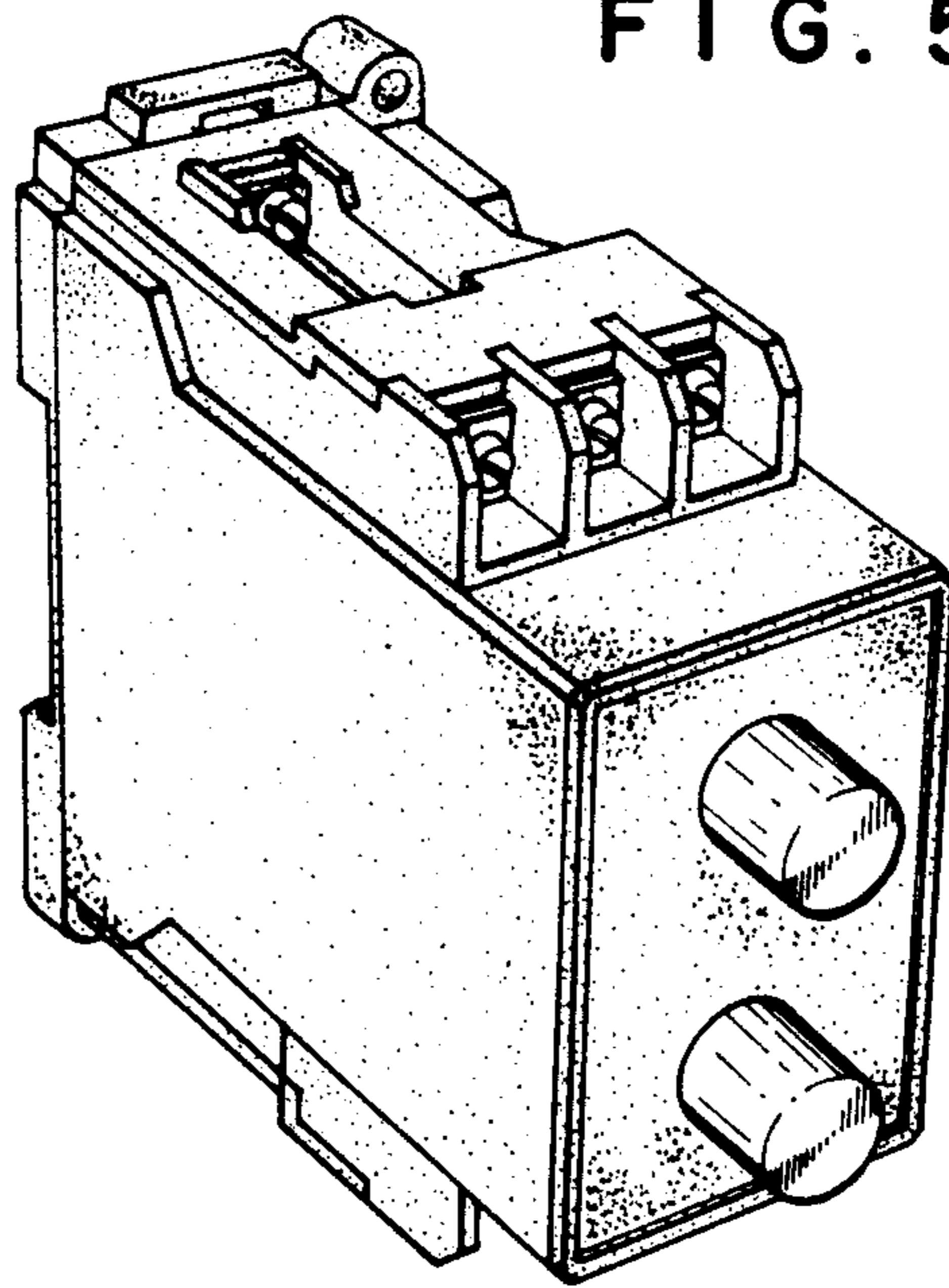


FIG. 6

