

[54] PEDAL OPERATED POWER GENERATOR

[75] Inventor: Richard E. Ott, Northampton, Pa.

[73] Assignee: Rodale Resources, Inc., Emmaus, Pa.

[**] Term: 14 Years

[21] Appl. No.: 901,282

[22] Filed: Apr. 27, 1978

[51] Int. Cl. D13-01

[52] U.S. Cl. D13/2

[58] Field of Search D13/1, 2, 3, 4; 272/73, 272/129; 128/25 R; 310/75 R, 75 B; 74/686; 322/1; D21/194

[56] References Cited

U.S. PATENT DOCUMENTS

3,572,699	3/1971	Nies	128/25 R X
3,759,512	9/1973	Yount et al.	272/73 X
4,084,810	4/1978	Forsman	310/75 B X

Primary Examiner—Susan J. Lucas
Attorney, Agent, or Firm—D. Paul Weaver

[57] CLAIM

The ornamental design for a pedal operated power generator, substantially as shown and described.

DESCRIPTION

FIG. 1 is a side elevational view of a pedal operated power generator showing my new design; FIG. 2 is a elevational view of the other side; FIG. 3 is a front elevational view thereof; FIG. 4 is a rear elevational view thereof; and FIG. 5 is a top plan view thereof.

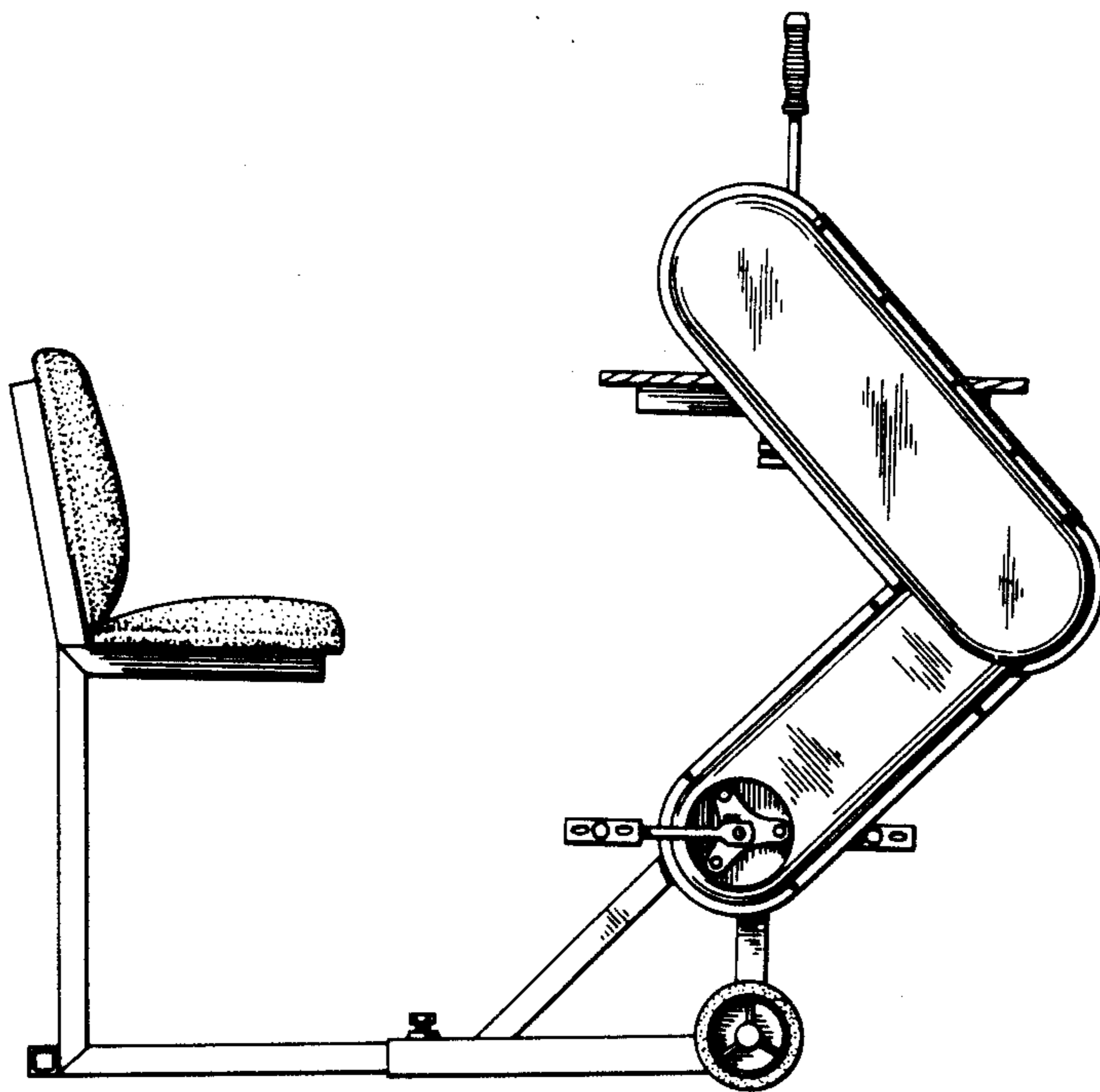


Fig. 1

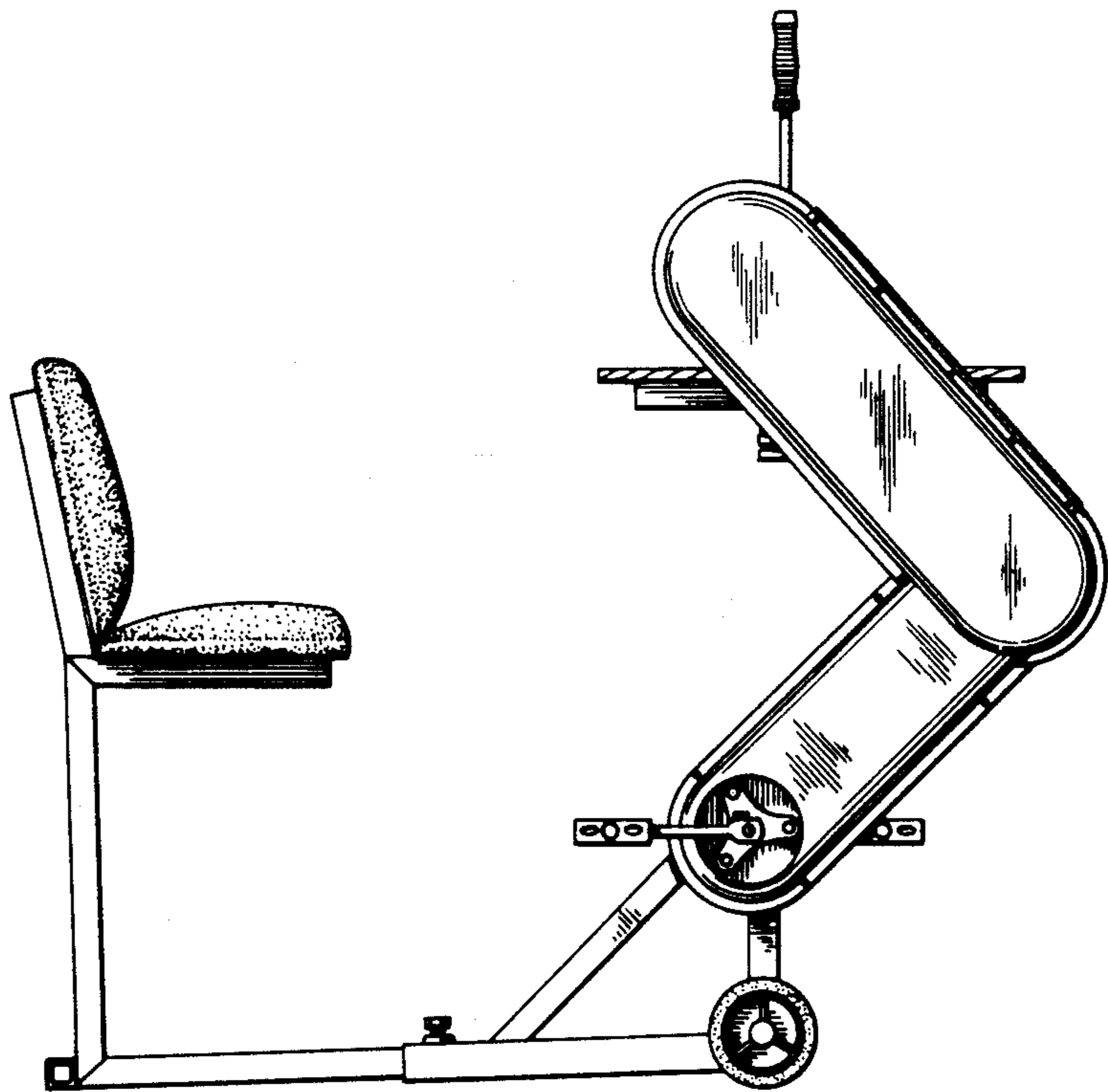


Fig. 2

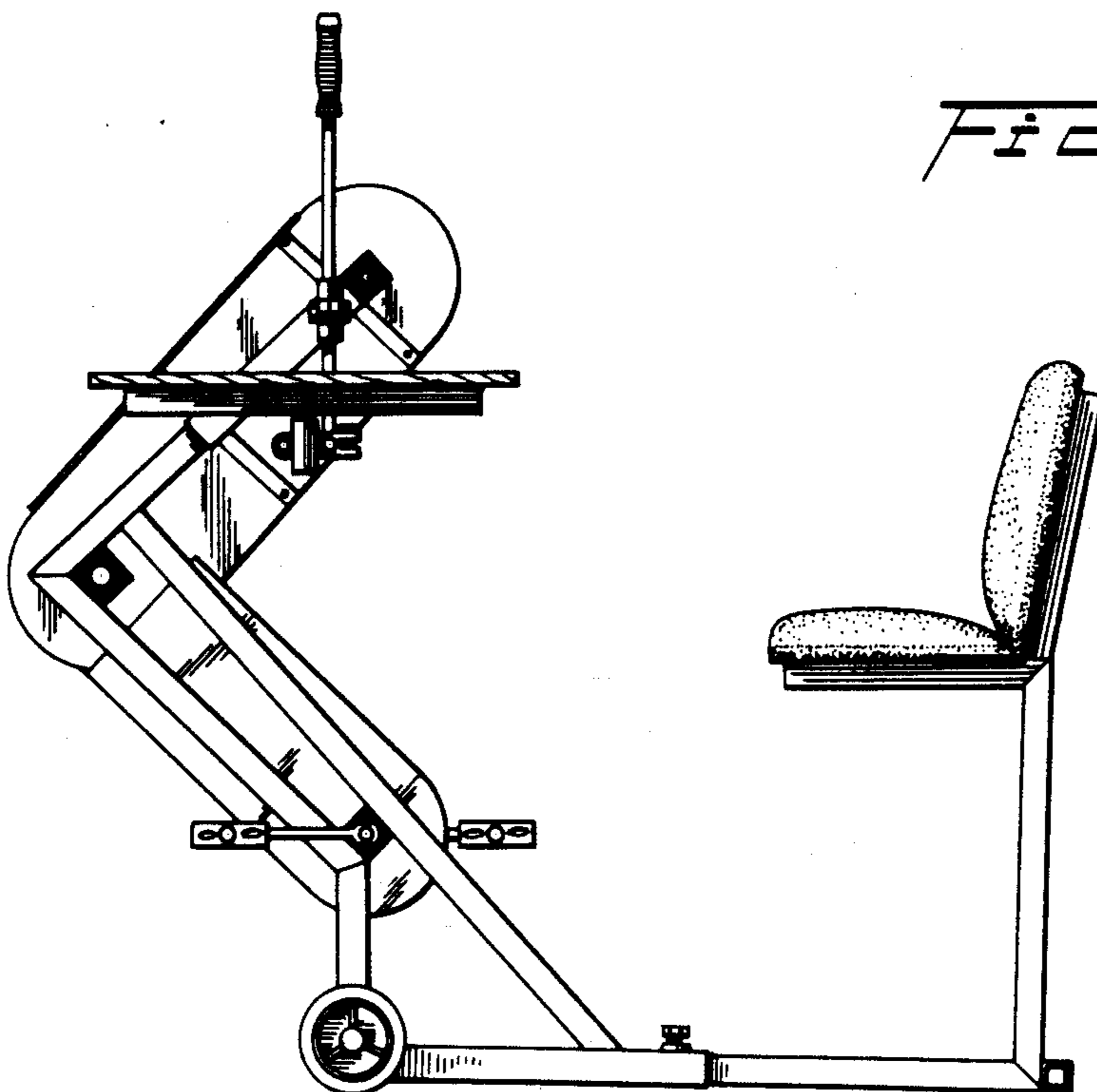


Fig. 3

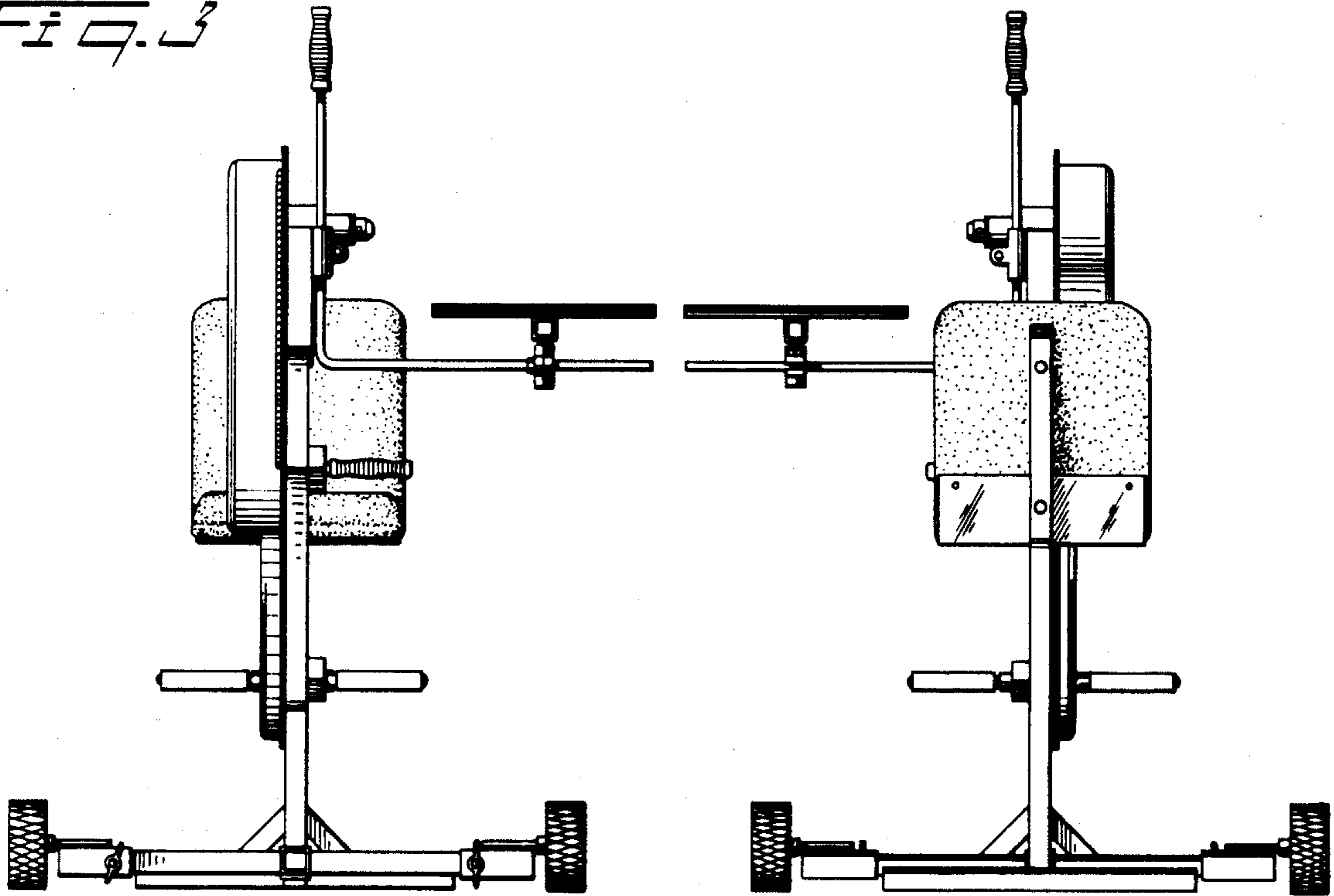


Fig. 4

Fig. 5

