

[54] VAN WINDOW

[76] Inventors: **Walter J. Longeway**, 1875 S. Garfield St., Denver, Colo. 80210; **Roger D. Styes**, 1835 S. Shoshone St., Denver, Colo. 80223

[**] Term: **14 Years**

[21] Appl. No.: **847,308**

[22] Filed: **Oct. 31, 1977**

[51] Int. Cl. **D12-16**

[52] U.S. Cl. **D12/183**

[58] Field of Search **D12/183; D25/52; 296/145**

[56] **References Cited**

U.S. PATENT DOCUMENTS

1,817,494 8/1931 **McMann** **D25/52**

OTHER PUBLICATIONS

R. V. Dealer, Jul. 1977, P117, Elongated Window on Trailer, bottom of page.

J. C. Whitney Catalog No. 362 B, Panorama Window for Vans, second box down from top center of page.

Primary Examiner—James M. Gandy
Attorney, Agent, or Firm—Ancel W. Lewis, Jr.

[57] **CLAIM**

The ornamental design for a van window, as shown and described.

DESCRIPTION

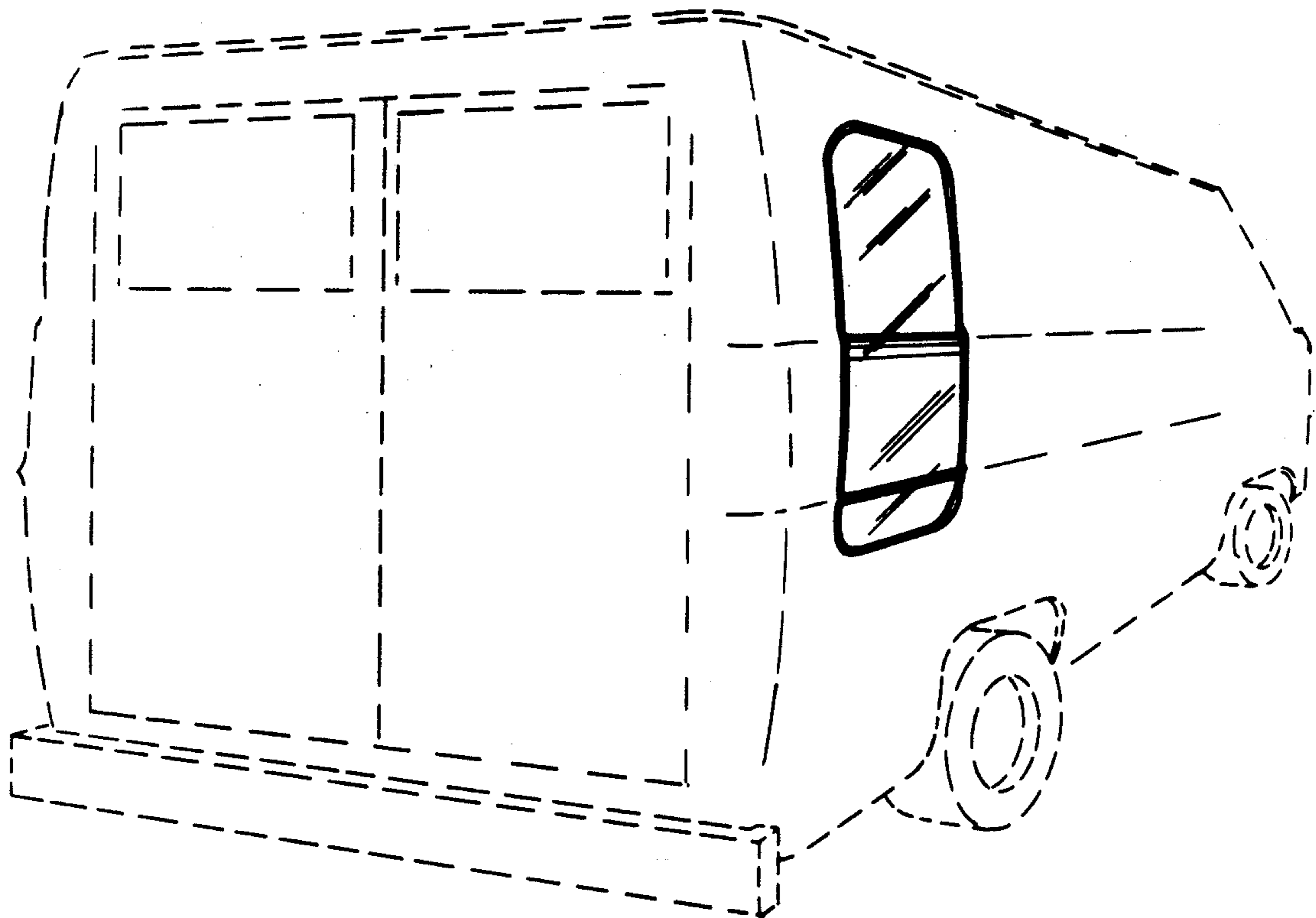
FIG. 1 is a rear and right side perspective view of a van window showing our new design with van structure in broken lines for illustration purposes only;

FIG. 2 is an end elevational view thereof on a greatly enlarged scale;

FIG. 3 is an outer side elevational view thereof on an enlarged scale;

FIG. 4 is an inner side elevational view thereof on an enlarged scale; and

FIG. 5 is a bottom plan view thereof on an enlarged scale.



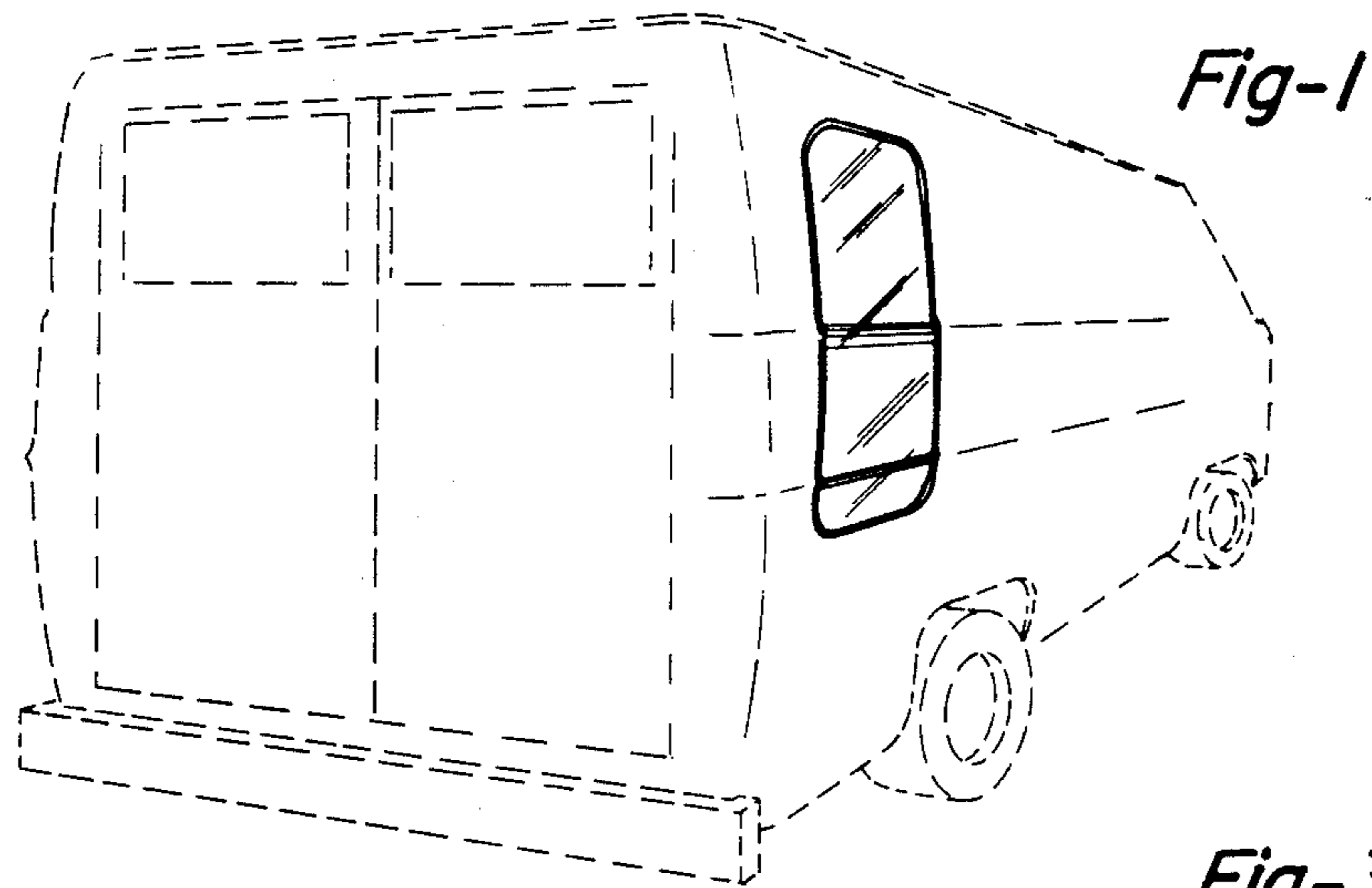


Fig-2



Fig-3

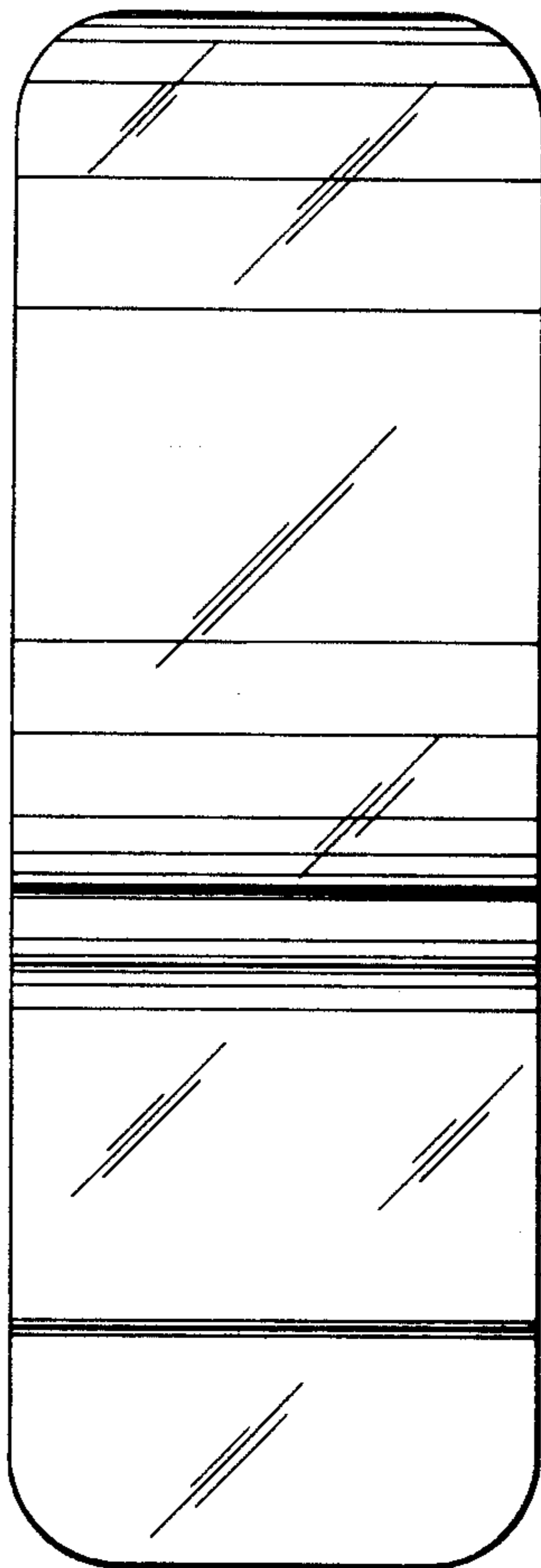


Fig-4

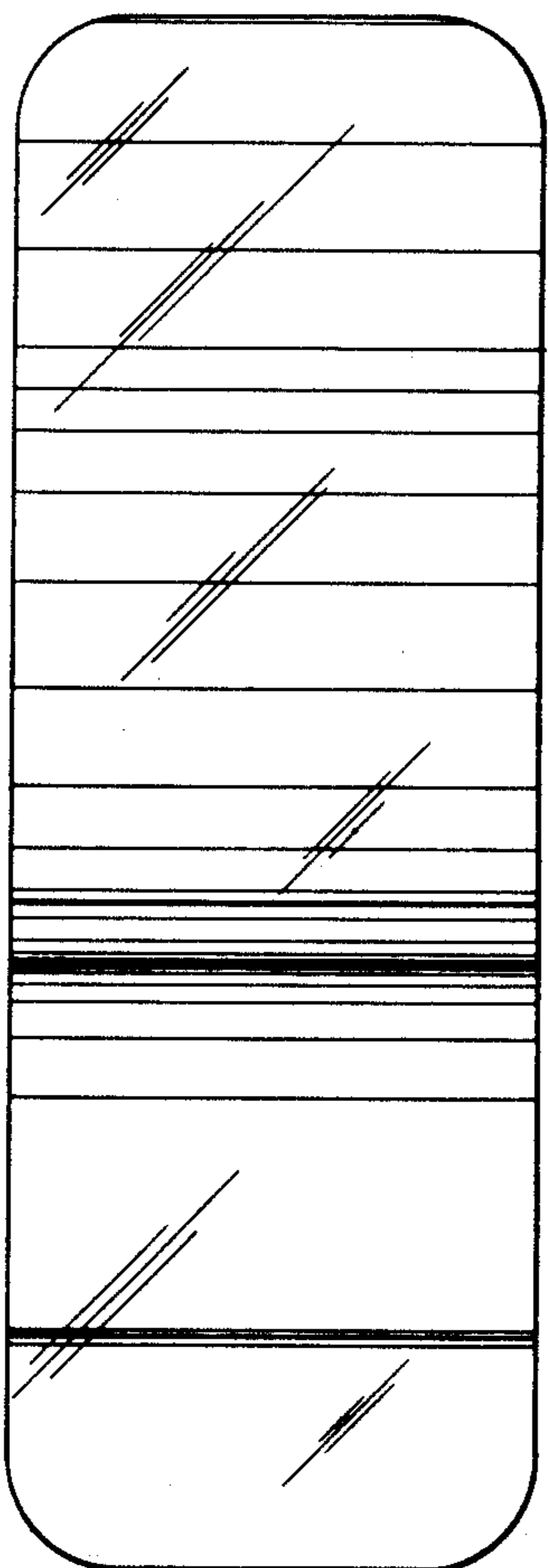


Fig-5

