

[54] TOOL BOX FOR BICYCLES

[76] Inventor: David E. Halter, 6½ Merritt St., Marblehead, Mass. 01945

[**] Term: 3½ Years

[21] Appl. No.: 869,390

[22] Filed: Jan. 13, 1978

[51] Int. Cl. D12-11

[52] U.S. Cl. D12/158

[58] Field of Search D12/158, 114; 224/32 R, 224/35, 31, 30 R

[56] References Cited

U.S. PATENT DOCUMENTS

590,936	9/1897	Perkins	224/35
604,988	5/1898	Knopping	224/35
931,782	8/1909	Marguerettaz	224/35
4,079,872	3/1978	Halter	224/31

Primary Examiner—James M. Gandy
Attorney, Agent, or Firm—Maurice R. Boiteau

[57] CLAIM

The ornamental design for a tool box for bicycles, as shown and described.

DESCRIPTION

FIG. 1 is a side elevational view of a tool box for bicycles showing my new design;

FIG. 2 is a front elevational view thereof looking in the direction of the arrows II—II in FIG. 1;

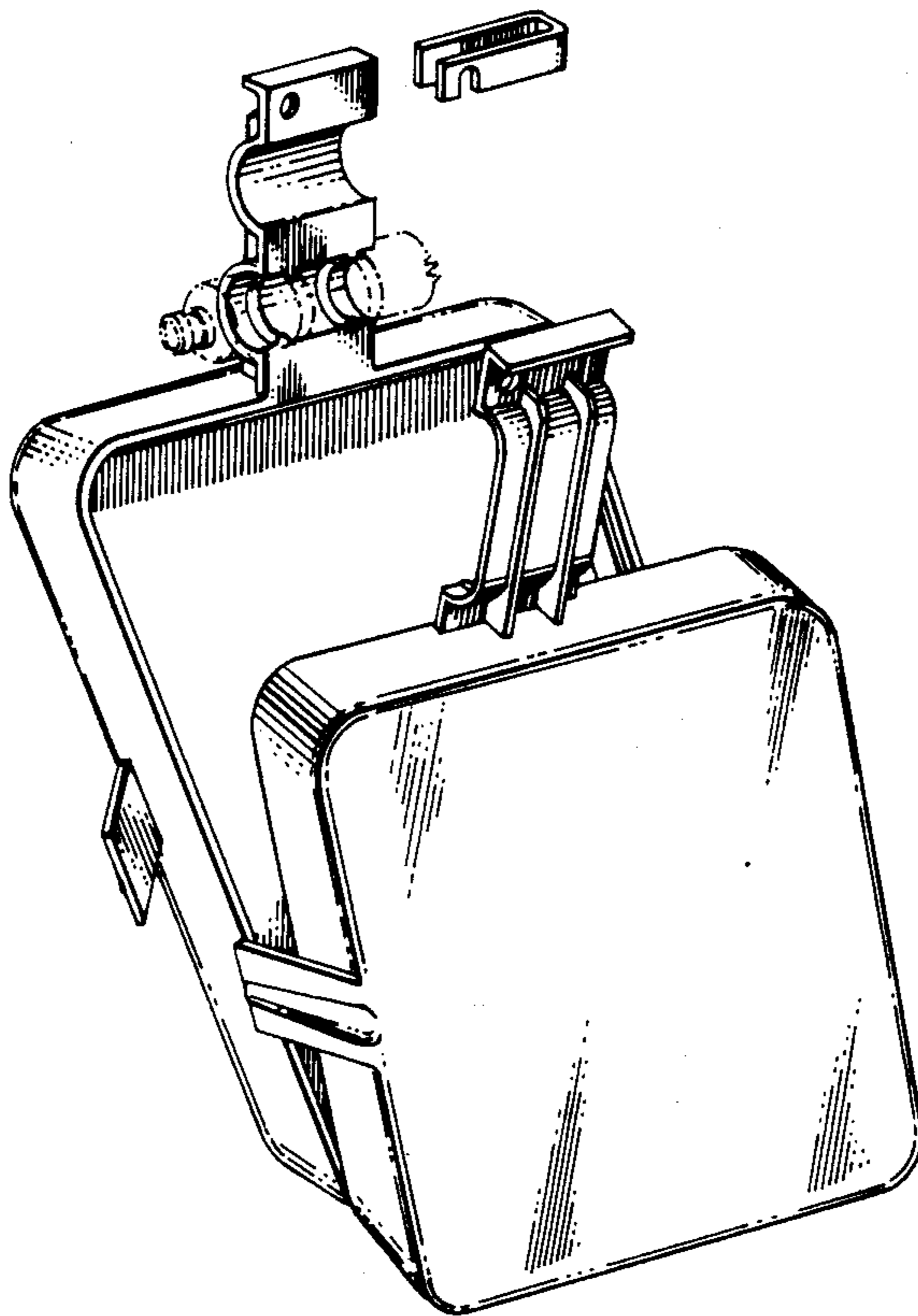
FIG. 3 is a top plan view thereof looking in the direction of the arrows III—III in FIG. 1;

FIG. 4 is a perspective view thereof in partially open condition; and

FIG. 5 is an enlarged fragmentary perspective view of the bracket portion thereof, it being understood that the remainder of the tool box has been omitted for convenience of illustration.

The side opposite to that shown in FIG. 1 is substantially a mirror image thereof and the bottom of the tool box is substantially flat and unornamented except for the hinge.

The broken lines shown in FIGS. 1 and 4 of the drawing are understood to be for illustrative purposes only.



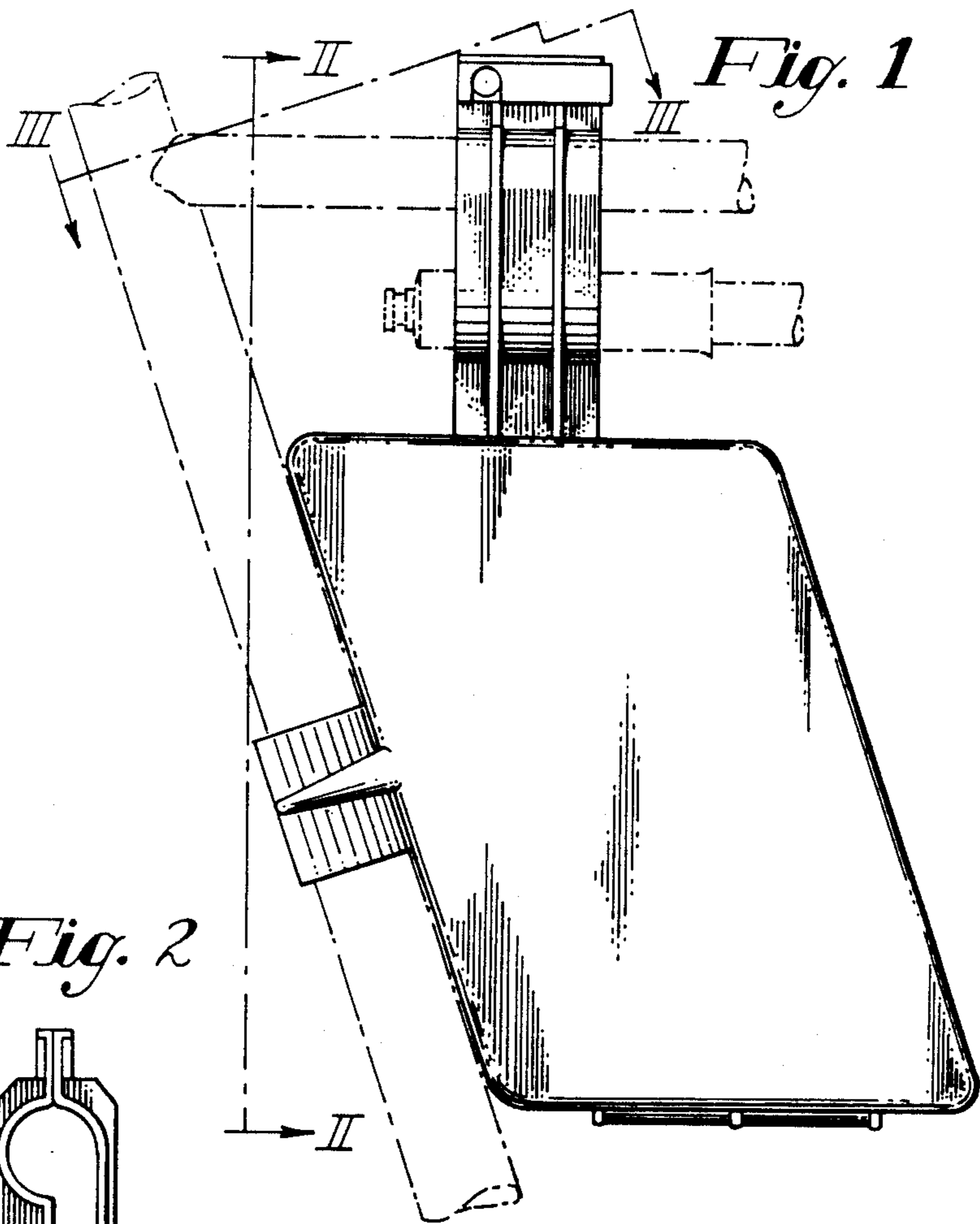


Fig. 2

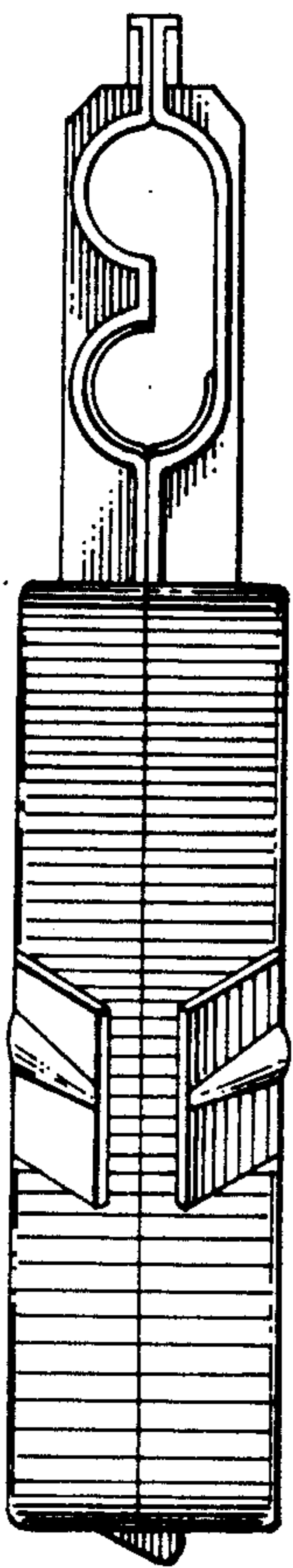
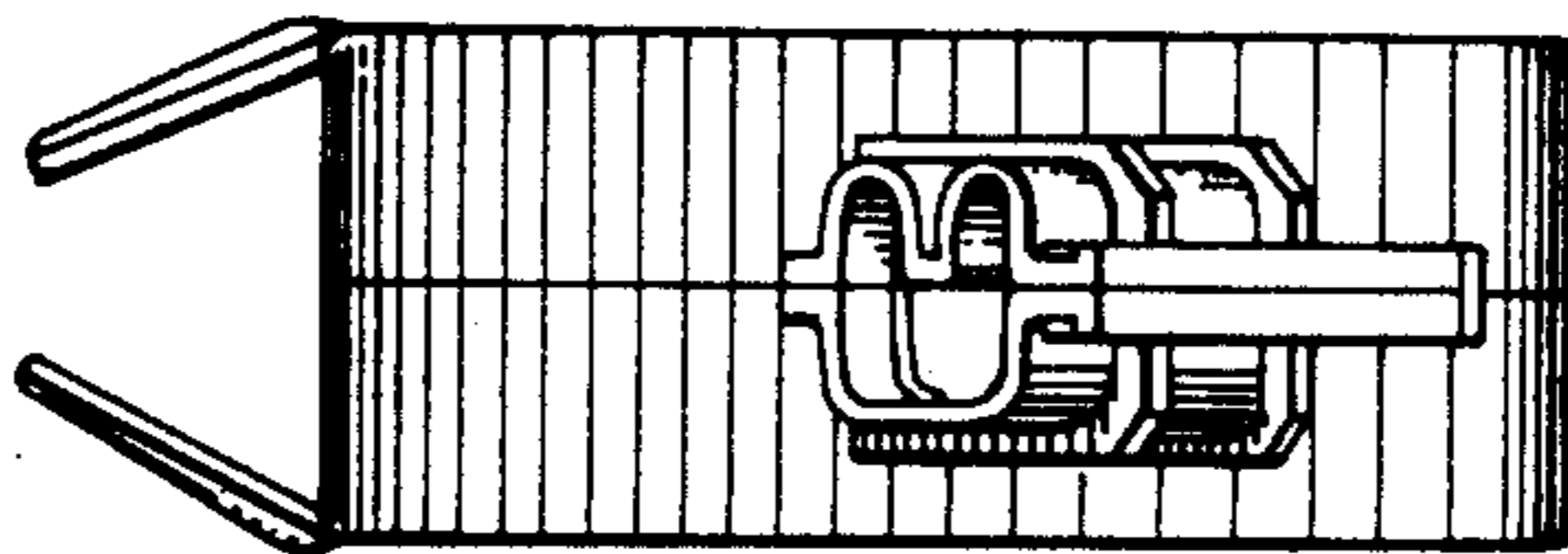


Fig. 3



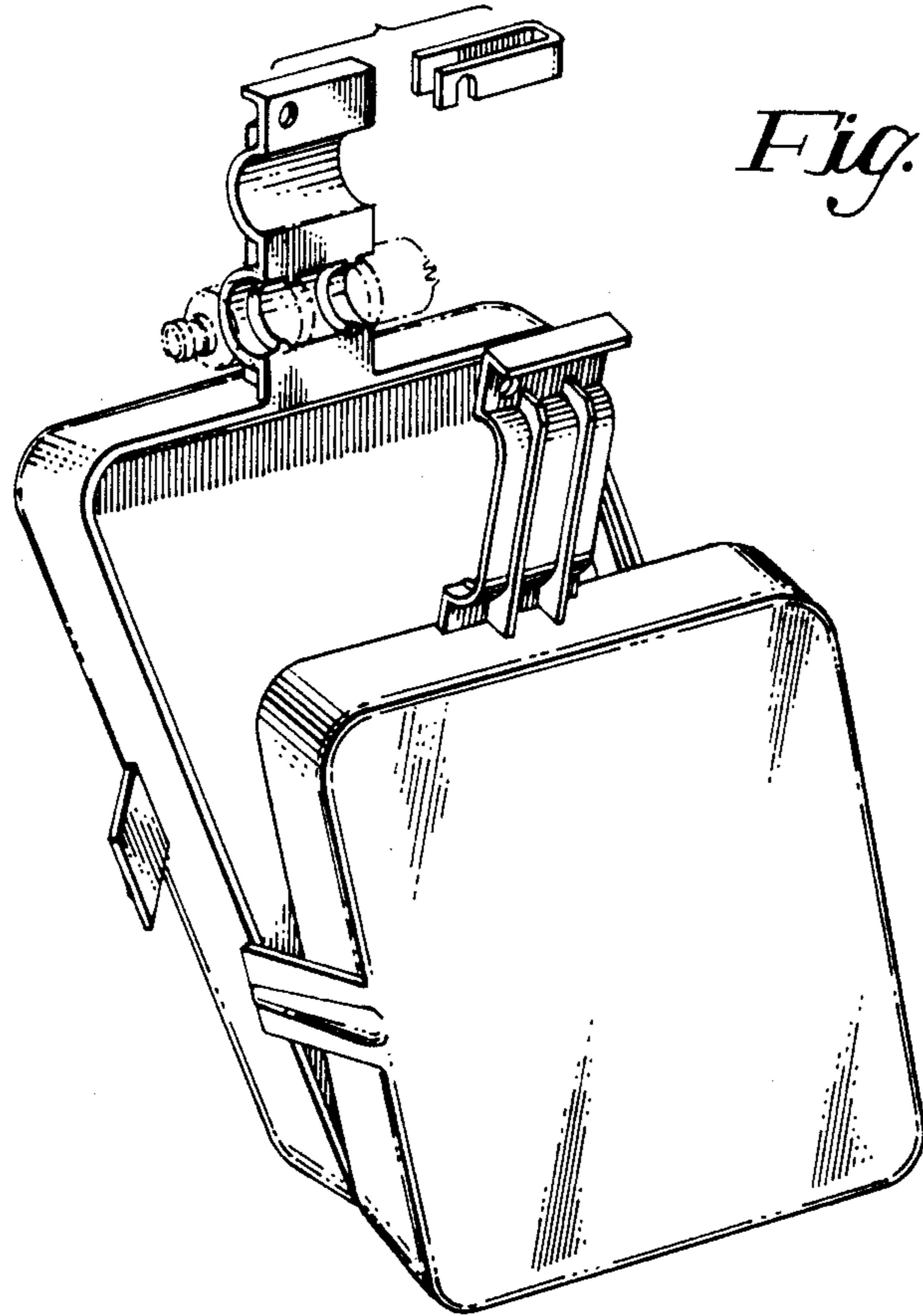


Fig. 4

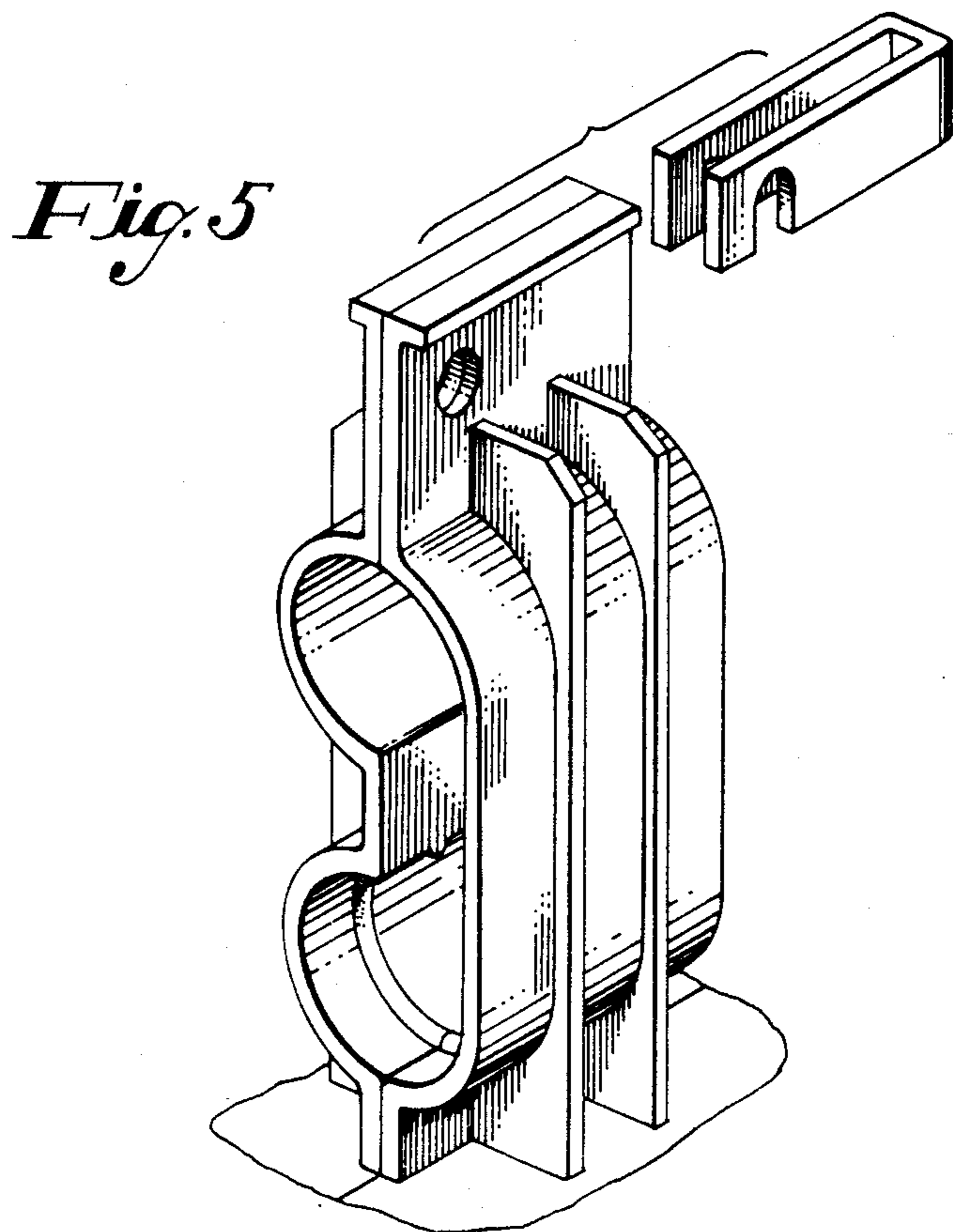


Fig. 5