

[54] TIE-DOWN BRACKET

[75] Inventor: Charles E. Ingram, Warren, Mich.

[73] Assignee: Four Star Corporation, Troy, Mich.

[**] Term: 14 Years

[21] Appl. No.: 837,597

[22] Filed: Sep. 29, 1977

[51] Int. Cl. D12-16

[52] U.S. Cl. D12/157; D8/383

[58] Field of Search 248/499; 24/265 CD; D8/354, 356, 382, 383, 394, 370, 367, 373; 224/324, 309, 315, 321, 329, 331

[56] References Cited

U.S. PATENT DOCUMENTS

D. 224,082	7/1972	Kolstee, Sr.	D8/382
D. 228,877	10/1973	Hirt	D8/373 X
4,015,760	4/1977	Bott	224/324
4,118,833	10/1978	Knox et al.	248/499 X

Primary Examiner—A. Hugo Word

Attorney, Agent, or Firm—Basile and Weintraub

[57] CLAIM

The ornamental design for a tie-down bracket, as shown and described.

DESCRIPTION

FIG. 1 is a perspective view of a first embodiment of a tie-down bracket showing my new design; FIG. 2 is a first end elevational view thereof; FIG. 3 is a bottom plan view thereof; FIG. 4 is a top plan view thereof; FIG. 5 is a second end elevational view thereof as seen from the end opposite of that of FIG. 2; FIG. 6 is a side elevational view thereof; FIG. 7 is a perspective view of a second embodiment of a tie-down bracket showing my new design; FIG. 8 is a top plan view thereof; FIG. 9 is a first end elevational view thereof; FIG. 10 is a first side elevational view thereof; FIG. 11 is a second end elevational view as seen from the end opposite of that of FIG. 9, and FIG. 12 is a bottom plan view thereof.

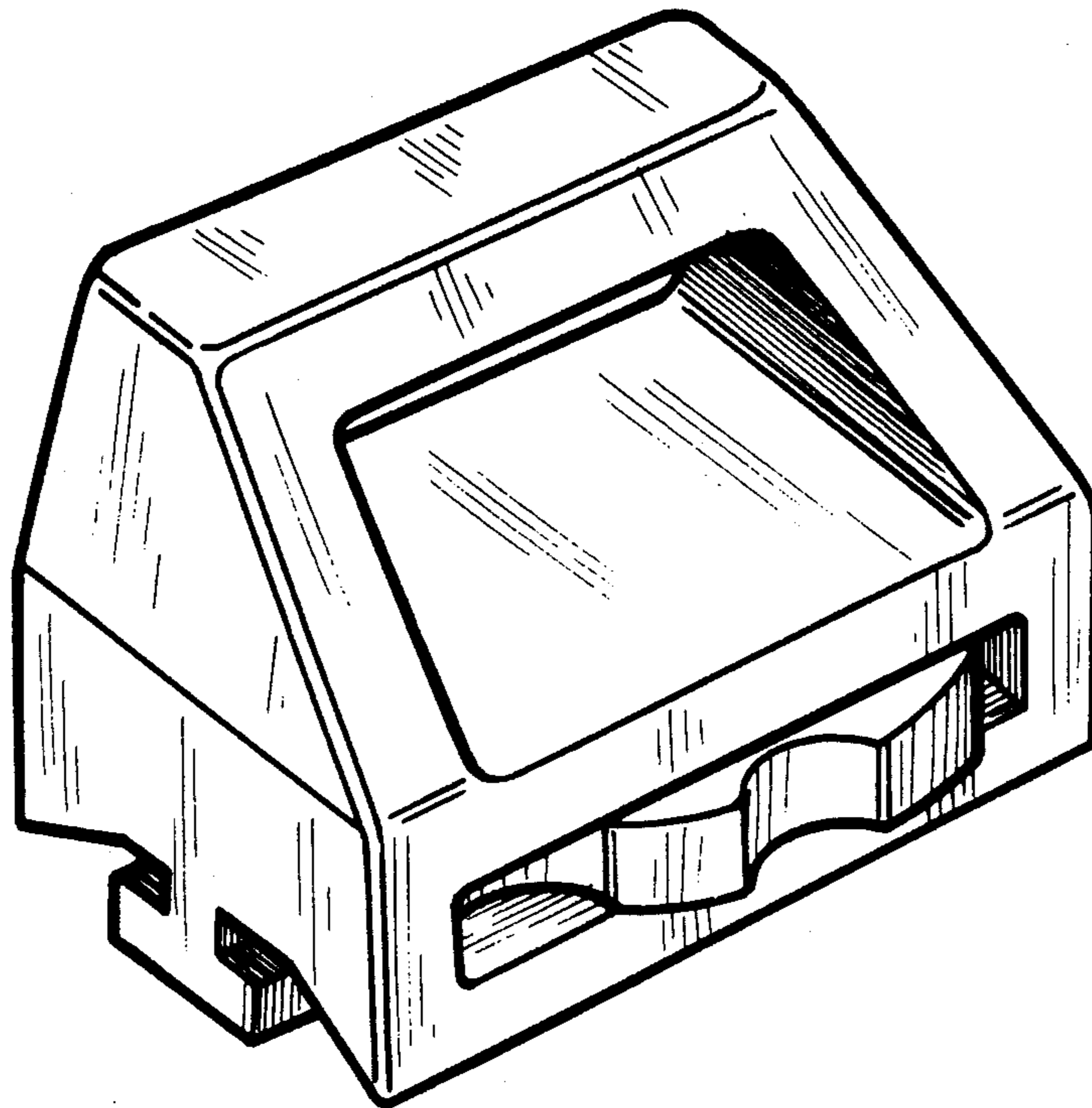


Fig-1

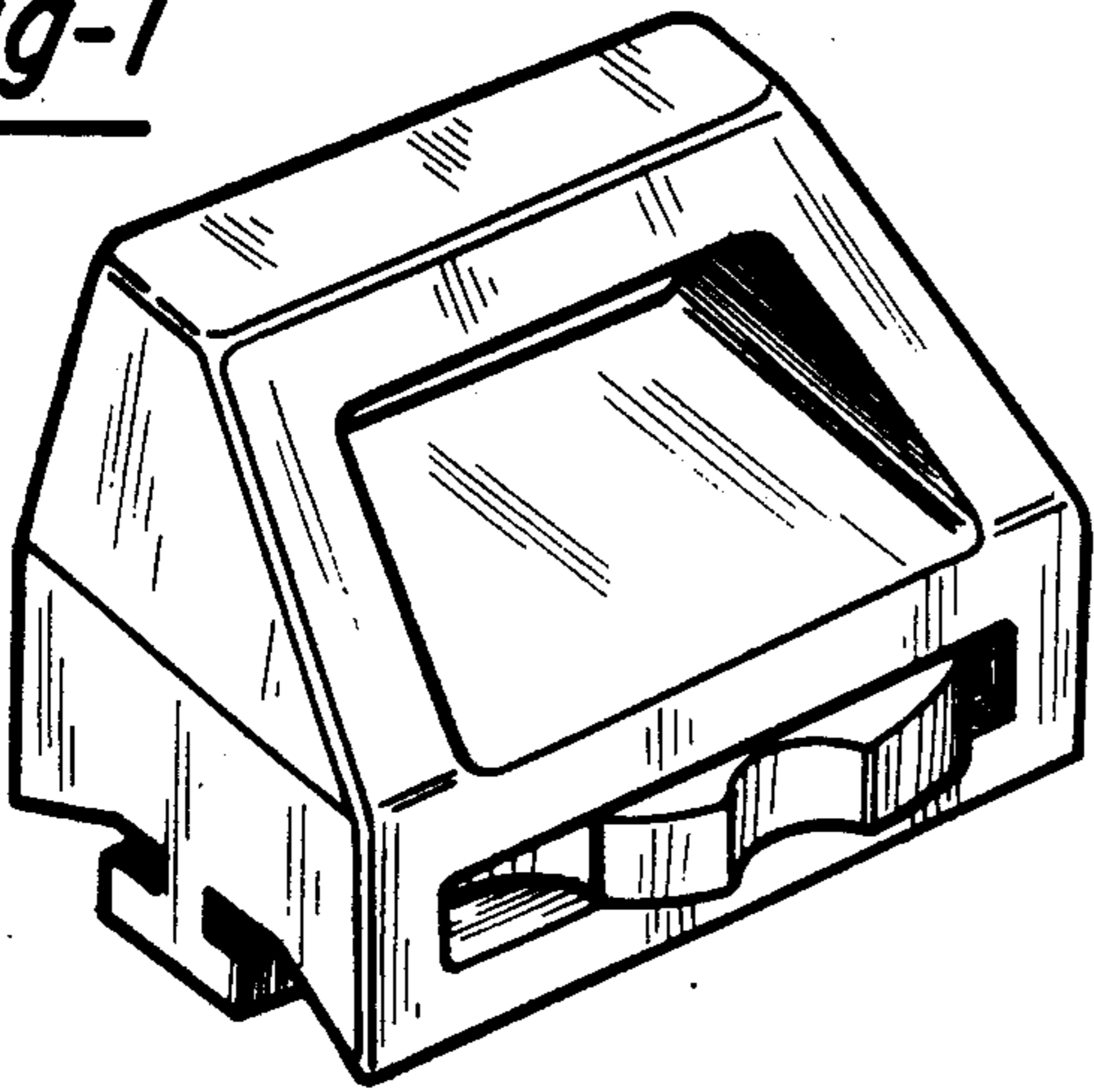


Fig-4

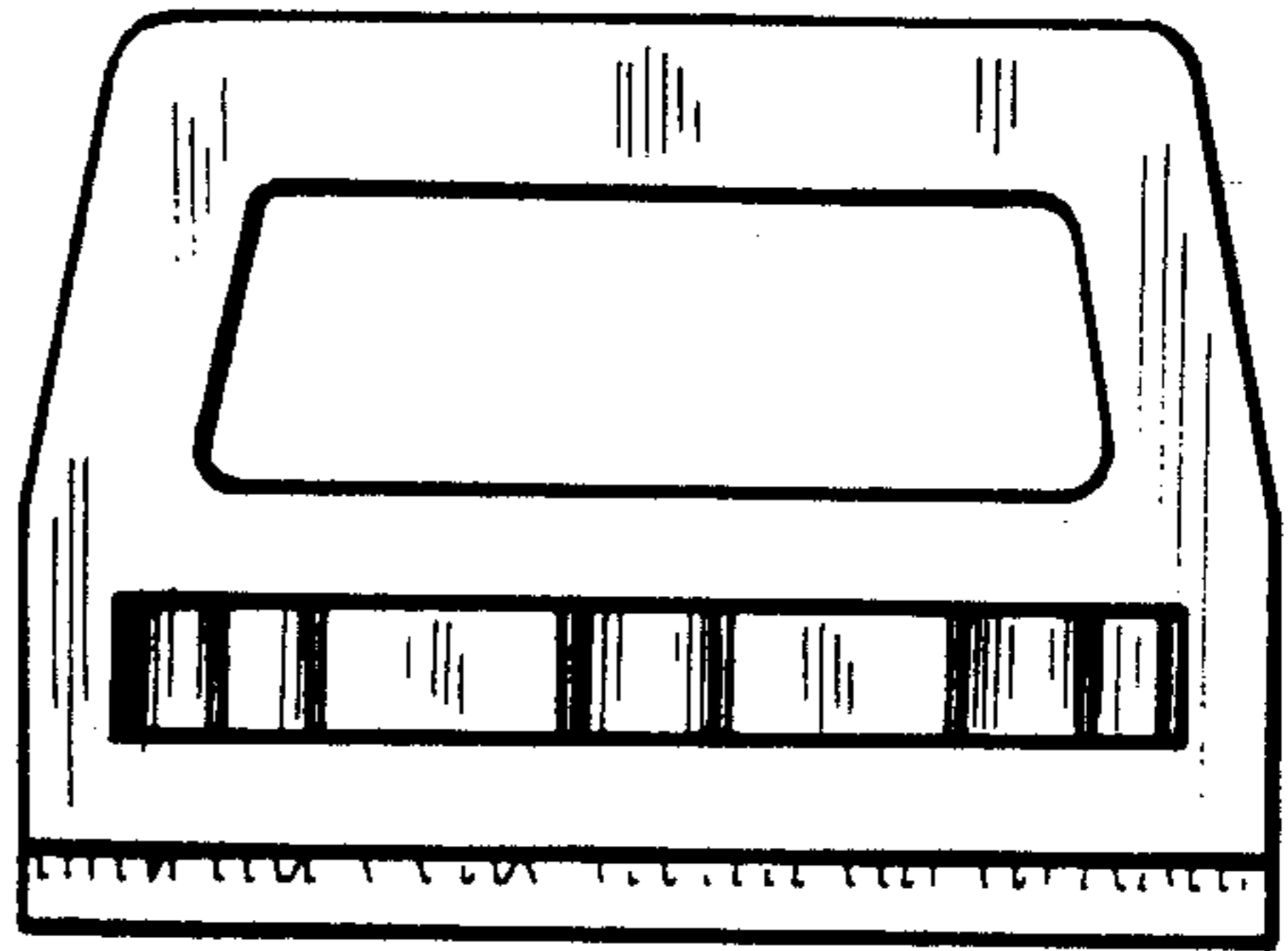
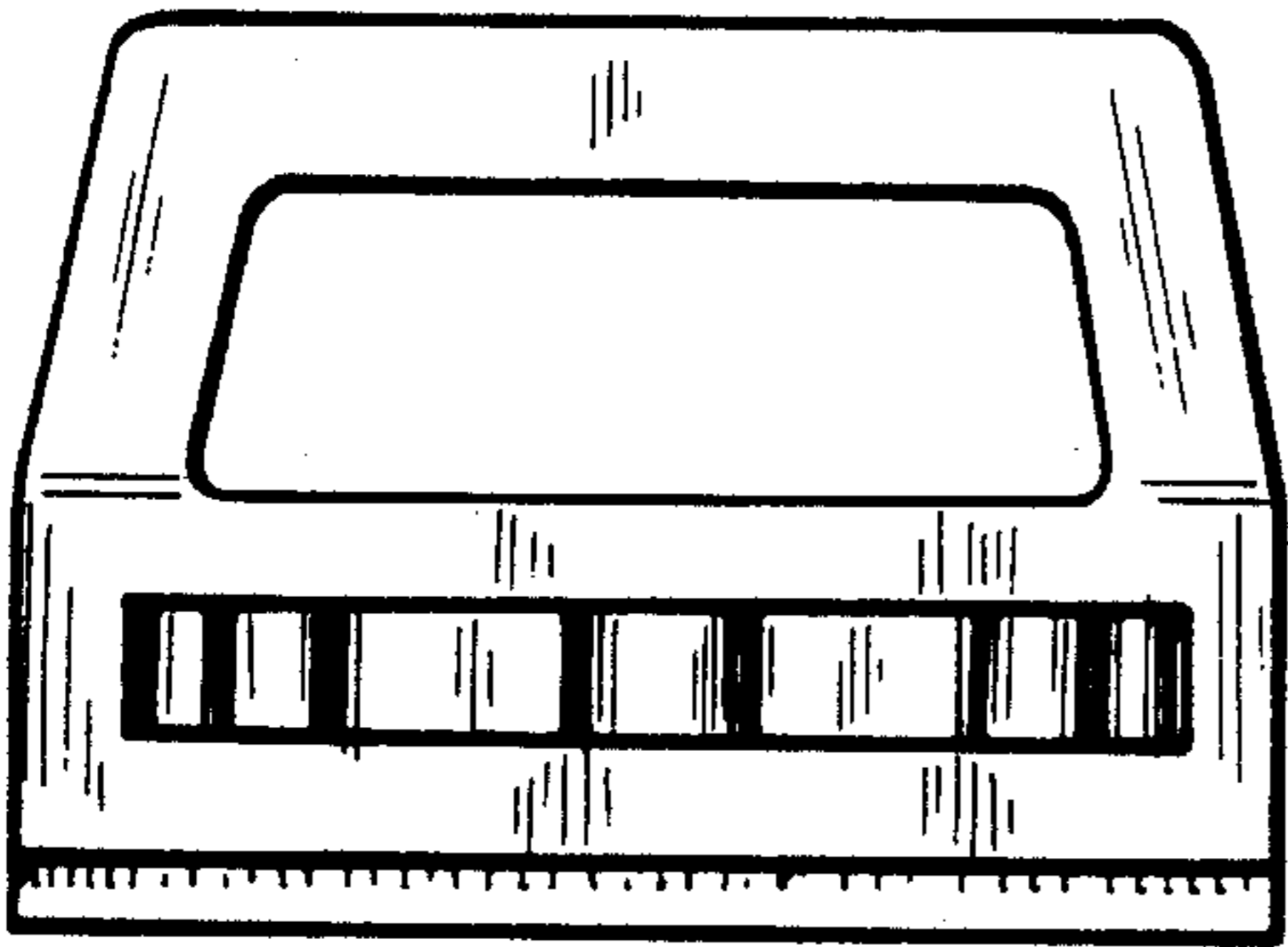
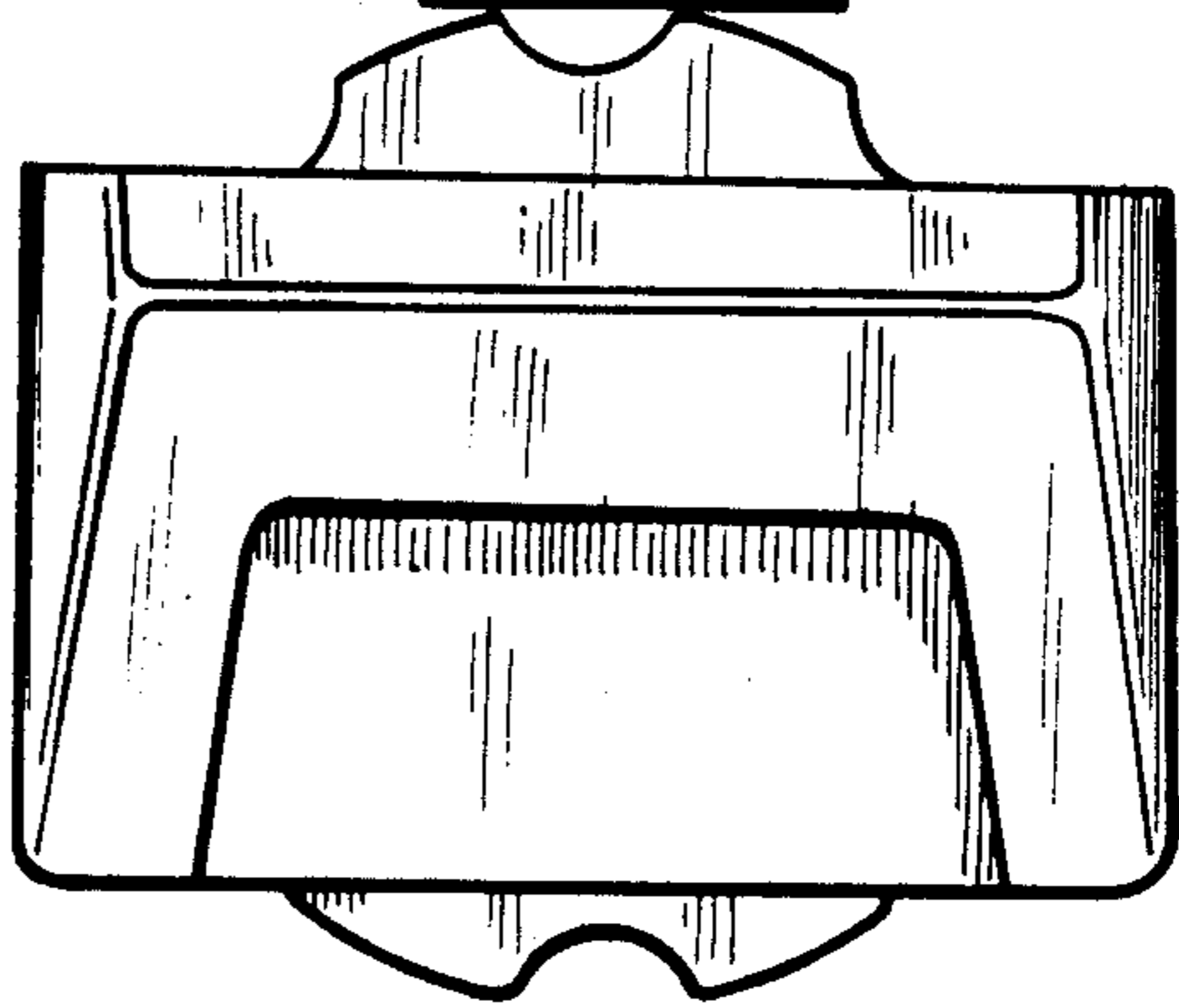


Fig-2

Fig-5

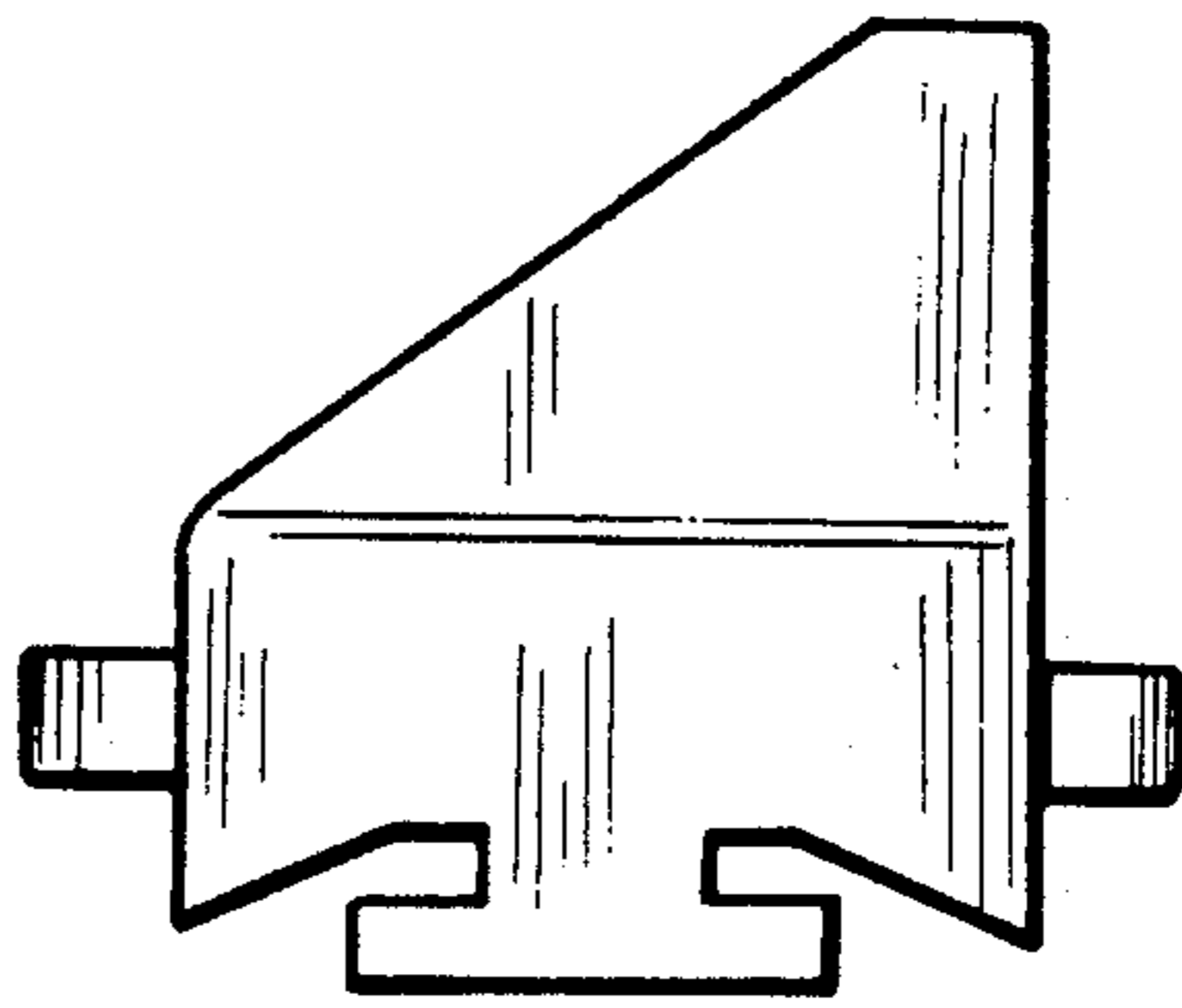
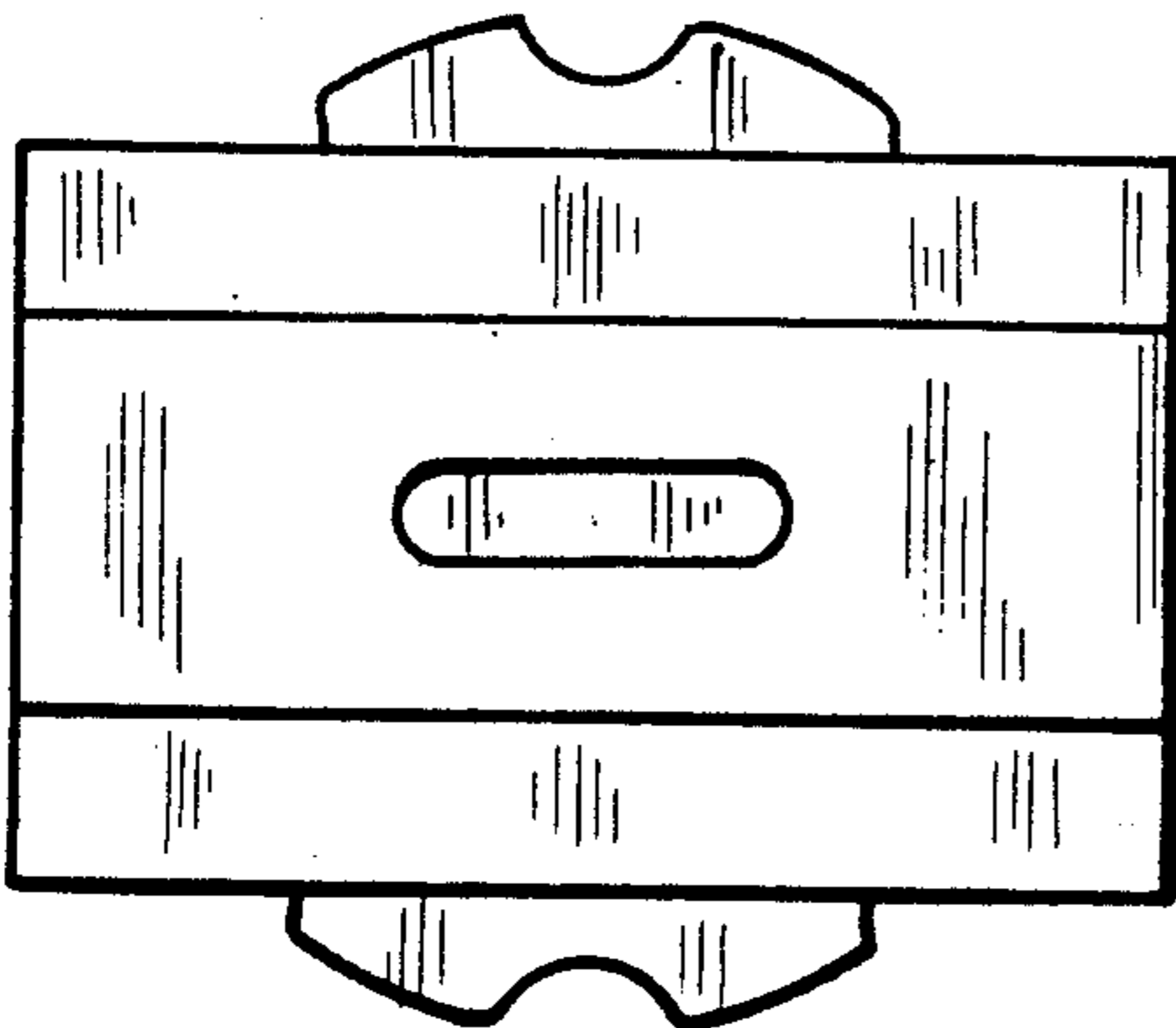


Fig-3

Fig-6

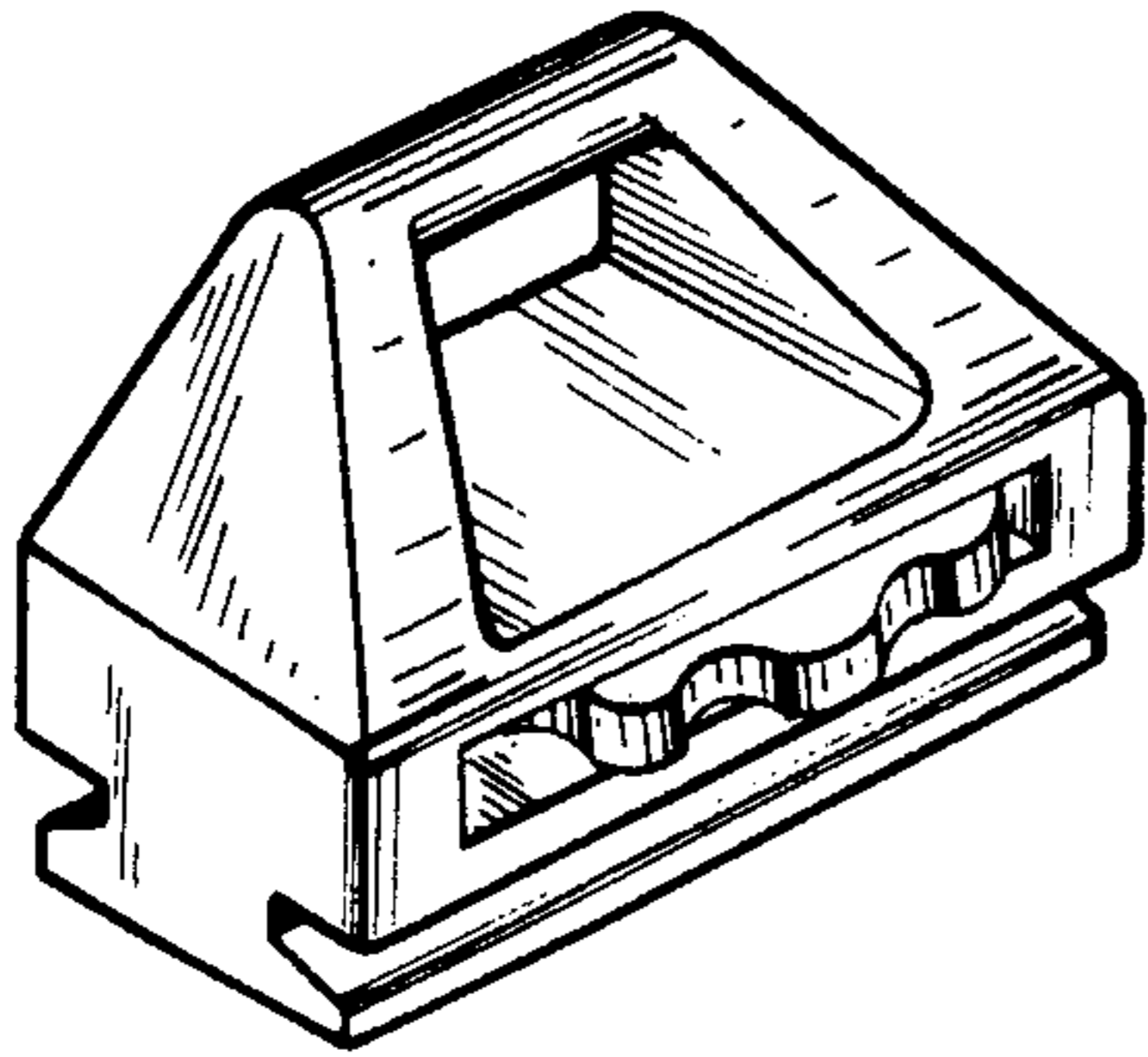


Fig-7

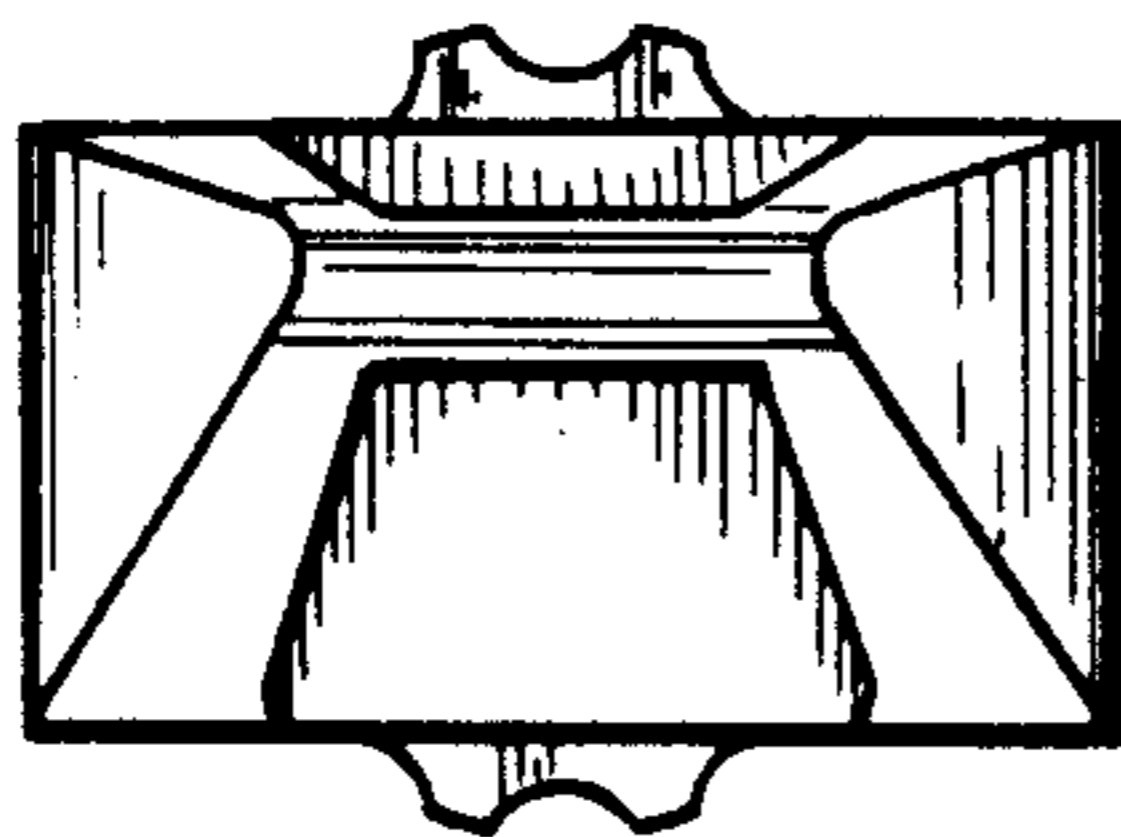


Fig-8

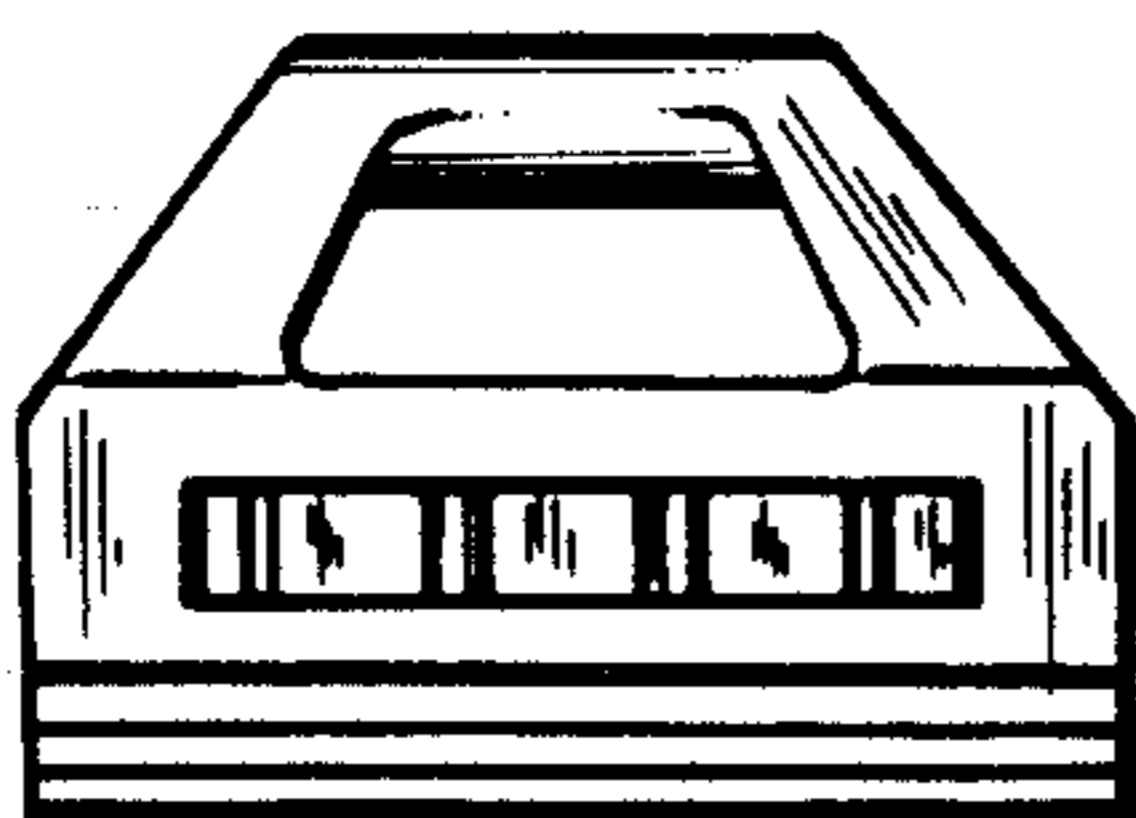


Fig-9

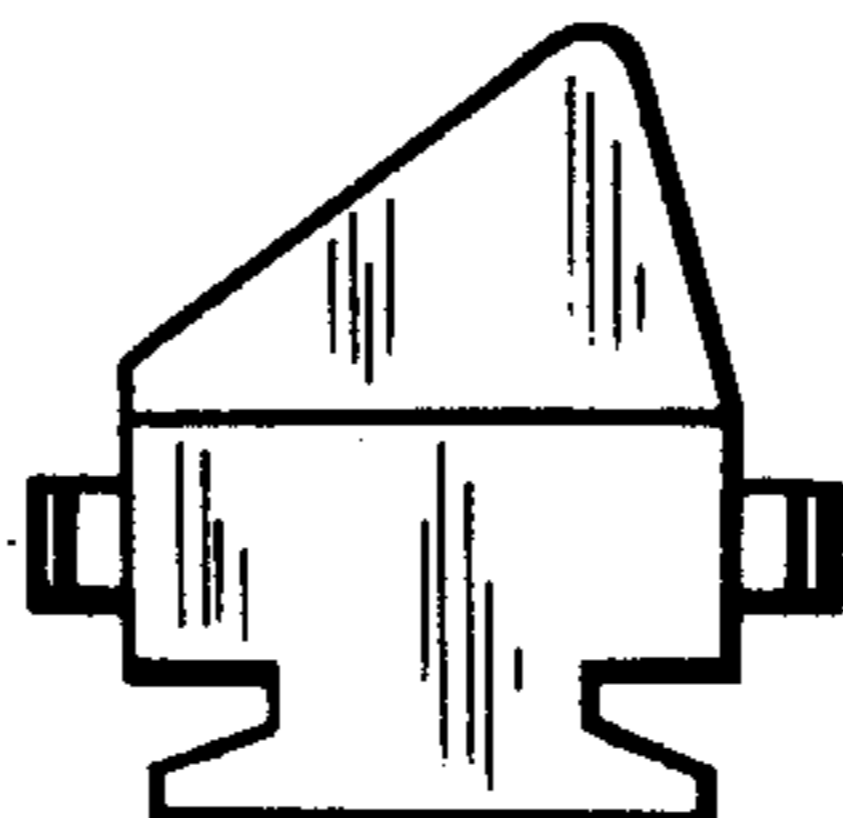


Fig-10

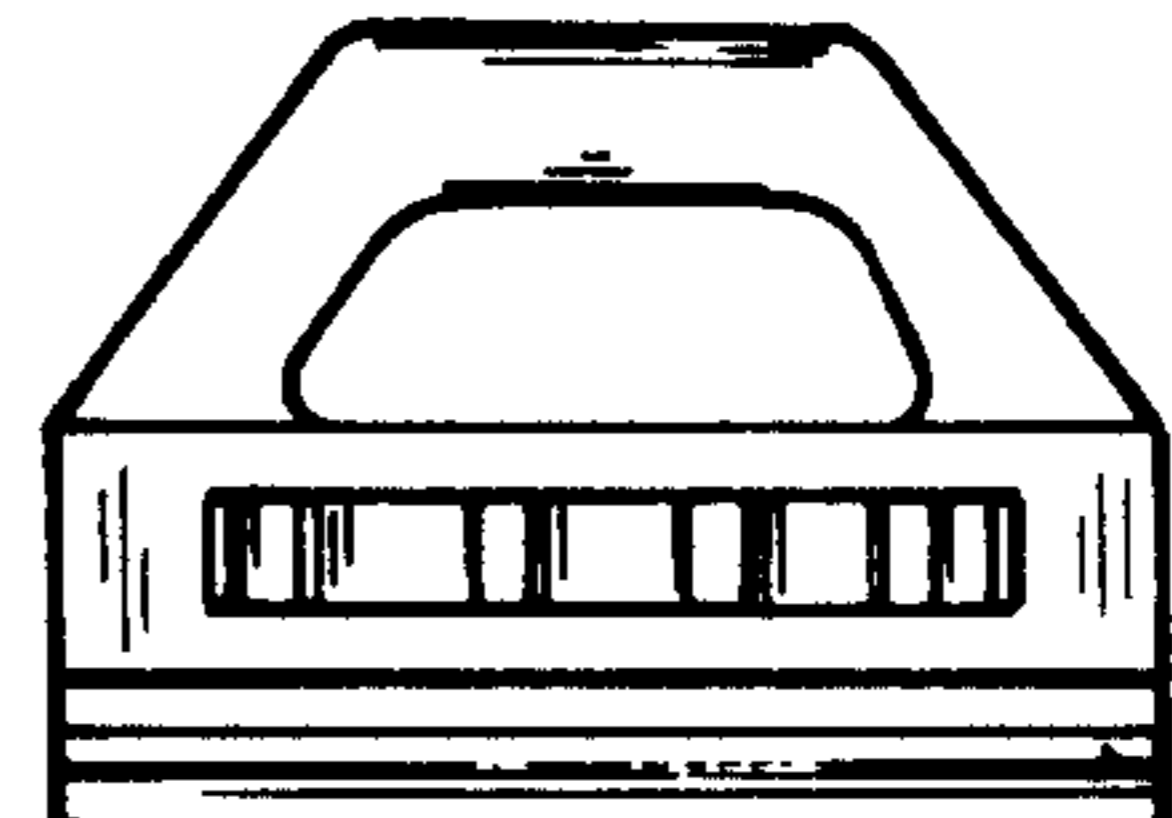


Fig-11

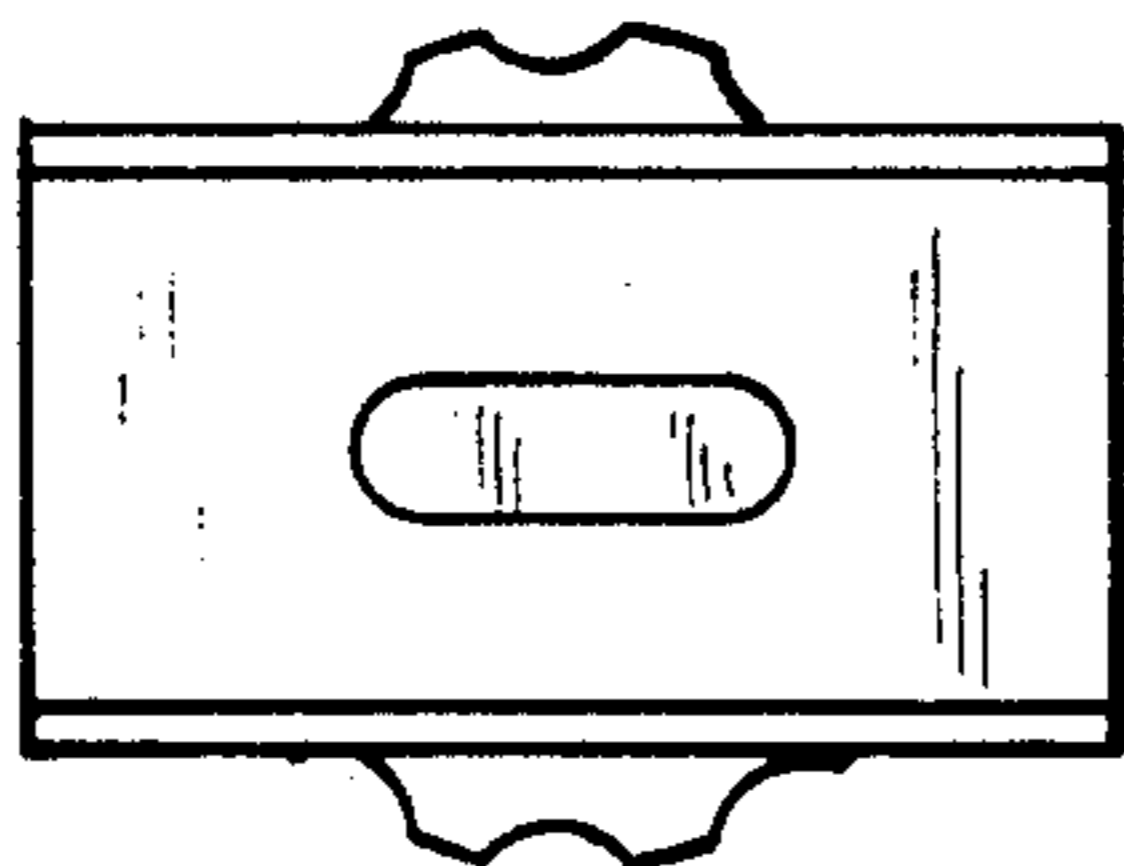


Fig-12