

[54] **PLANT CONTAINER**  
 [75] Inventor: **Hubert E. Christian, Phoenix, Ariz.**  
 [73] Assignee: **Dart Industries Inc., Los Angeles, Calif.**  
 [77] Term: **14 Years**  
 [21] Appl. No.: **745,313**  
 [22] Filed: **Nov. 26, 1976**  
 [51] Int. Cl. .... **D11-02**  
 [52] U.S. Cl. .... **D11/152; D9/220**  
 [58] Field of Search ..... **D7/6, 14, 15; D9/220, D9/140, 150, 154, 216, 243, 248; 229/1.5 B, 3.5 R; D11/143, 152; 47/66-81**

[56] **References Cited**  
**U.S. PATENT DOCUMENTS**  
 2,514,269 7/1950 Wilberschied ..... 47/81

2,919,694 1/1960 Von Gunten ..... 229/1.5 B  
 3,243,919 4/1966 Carlson ..... 47/79  
 3,443,715 5/1969 Edwards ..... D7/14 X  
 3,558,001 1/1971 Fritz ..... D9/220 X  
 3,606,262 9/1971 Van't Hoff ..... 229/1.5 B X  
 3,897,899 8/1975 Schuff et al. .... 229/3.5 R X

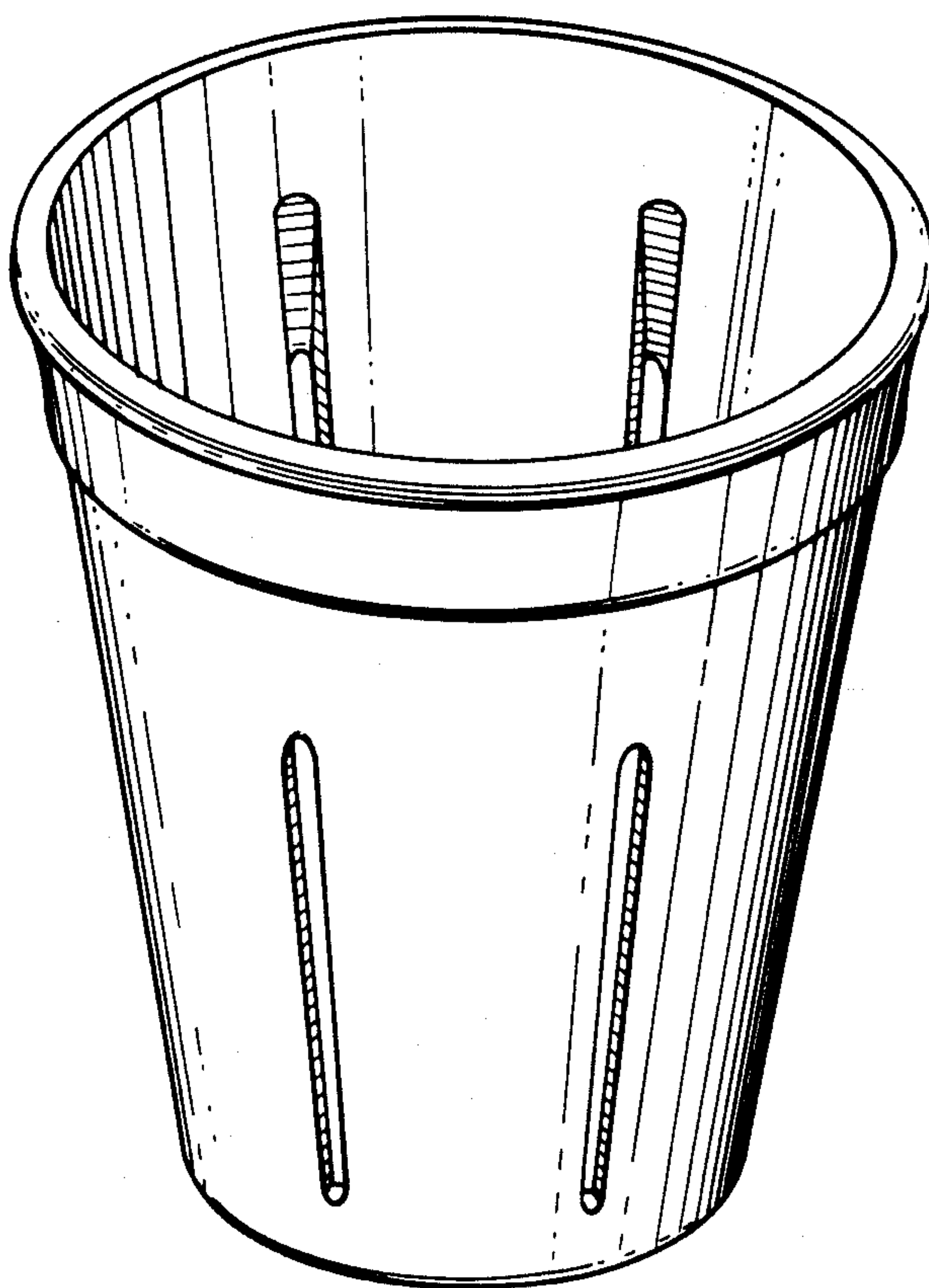
*Primary Examiner*—Robert C. Spangler  
*Attorney, Agent, or Firm*—Kenneth J. Hovet

[57] **CLAIM**

The ornamental design for a plant container, substantially as shown.

**DESCRIPTION**

FIG. 1 is a perspective view of a plant container showing my new design;  
 FIG. 2 is a side elevation view thereof;  
 FIG. 3 is a top plan view thereof;  
 FIG. 4 is a bottom plan view thereof; and,  
 FIG. 5 is a cross-section taken along lines 5-5 of FIG. 3.



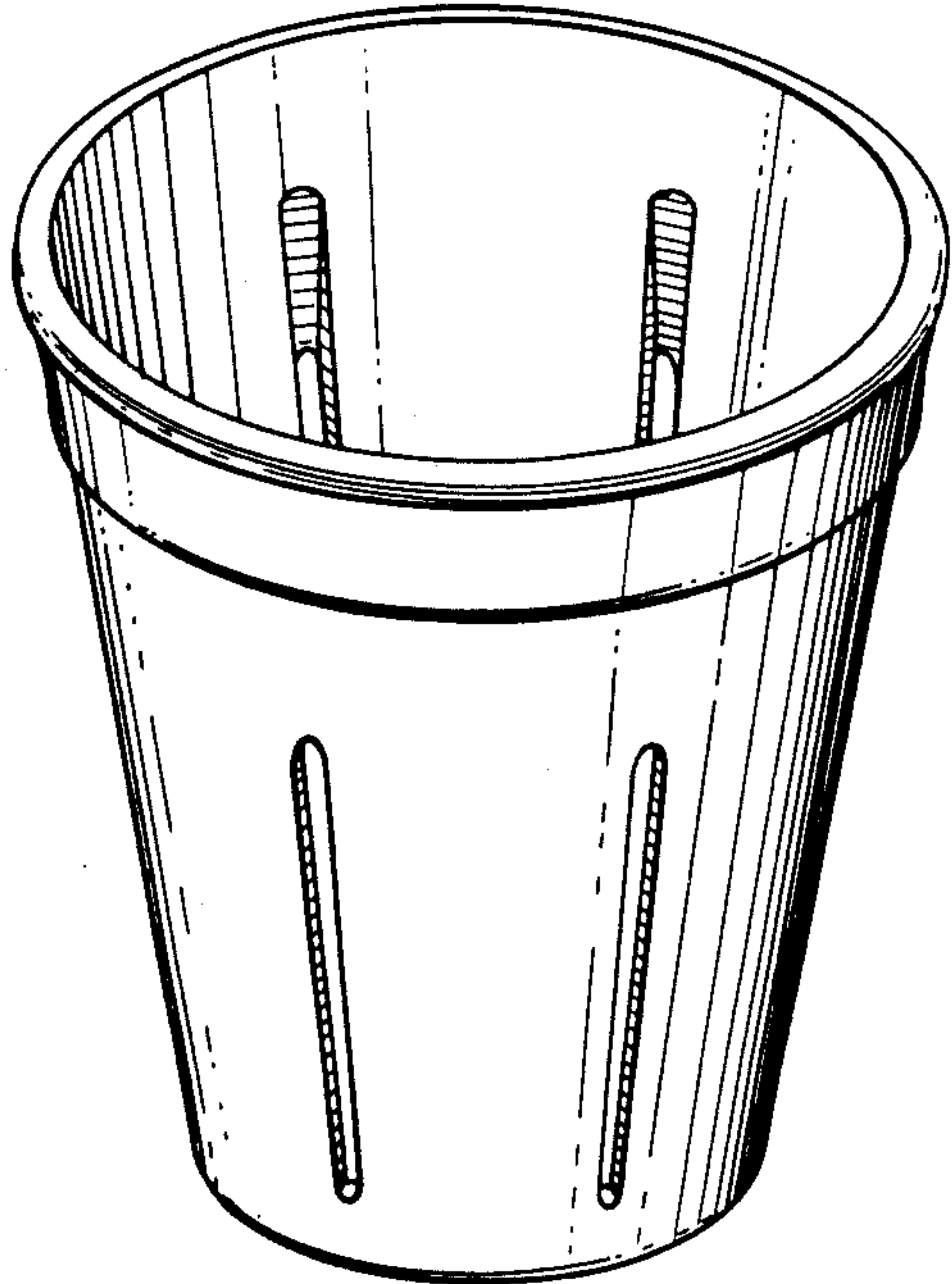


FIG. 1

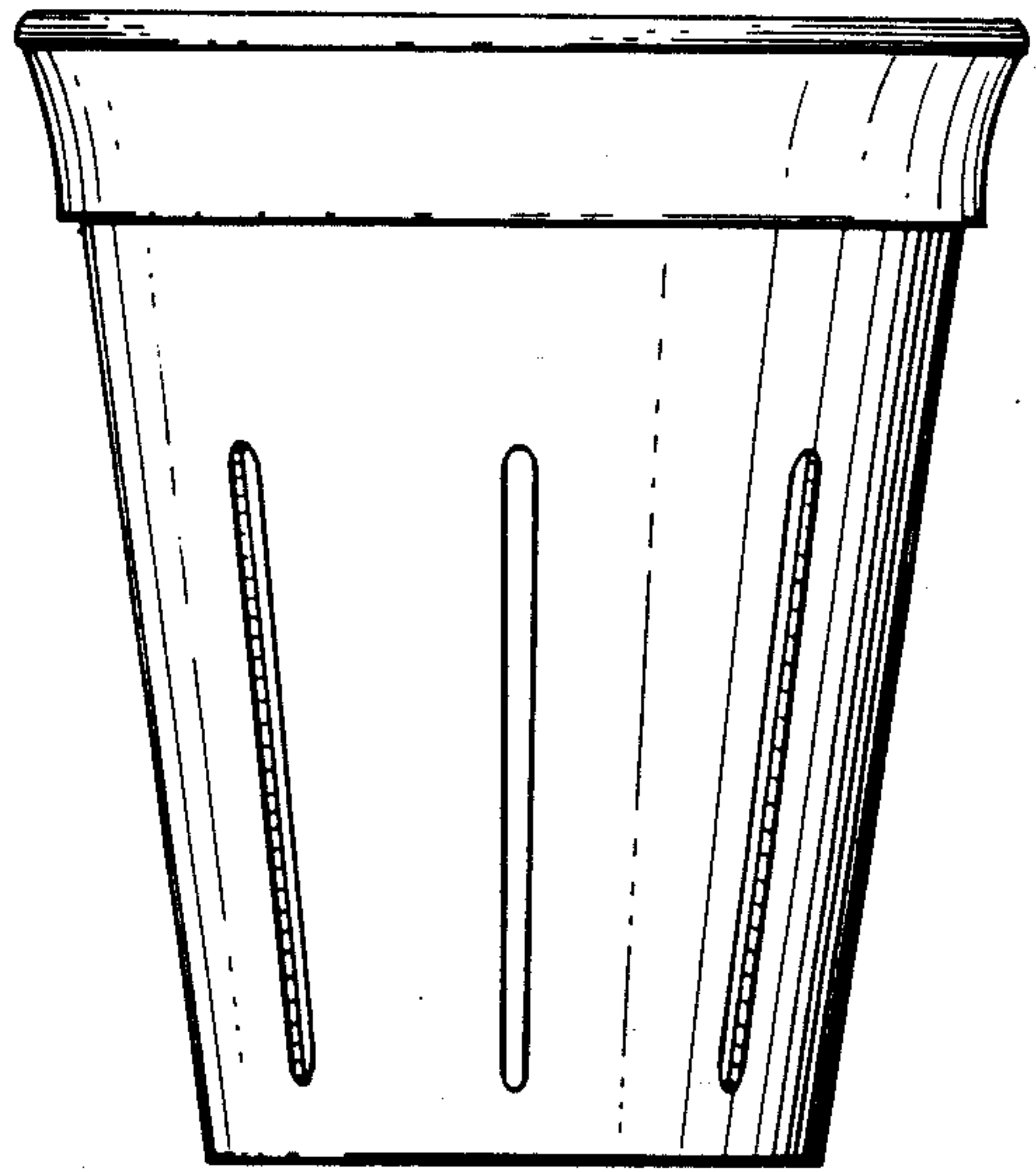


FIG. 2

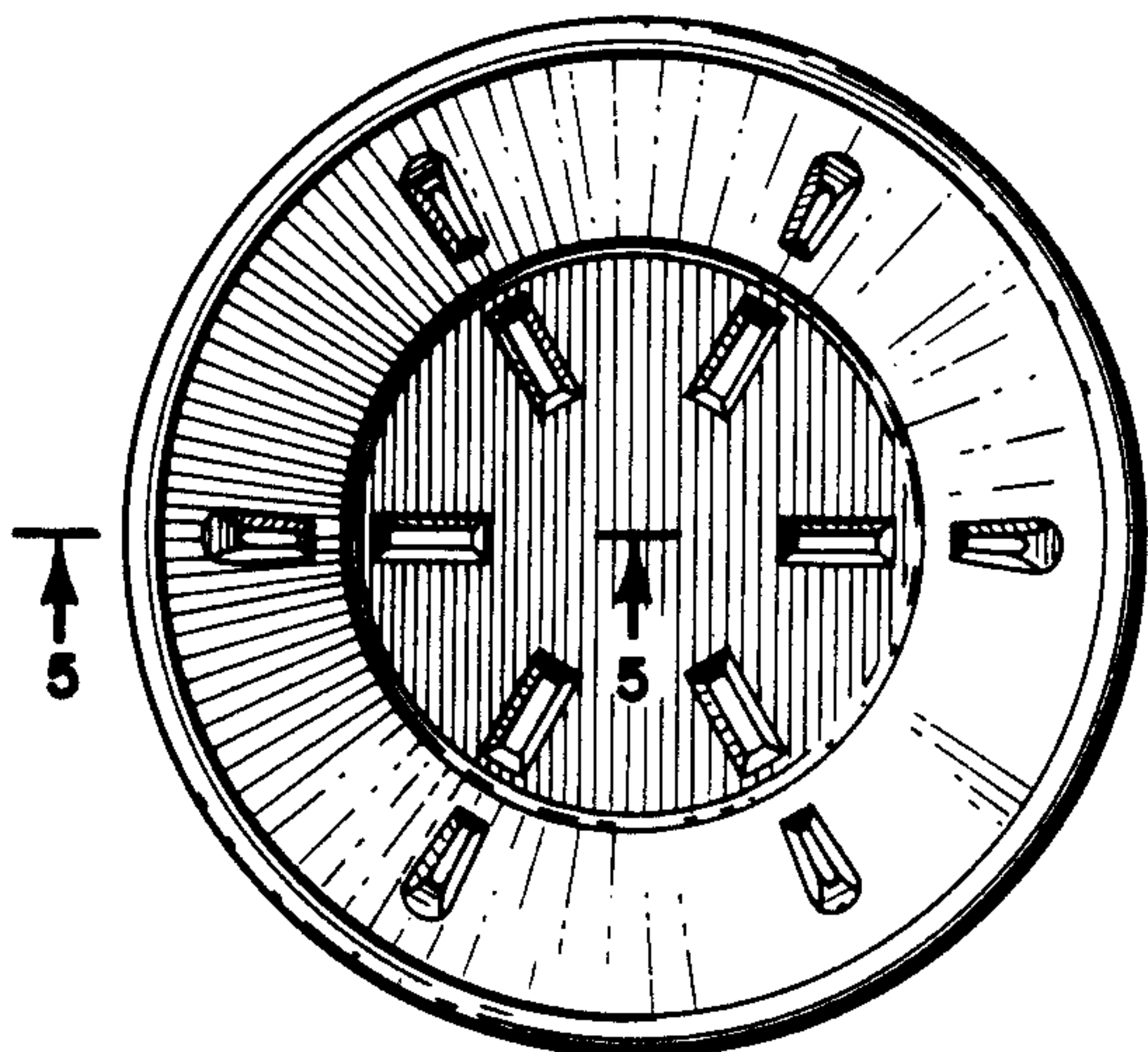


FIG. 3

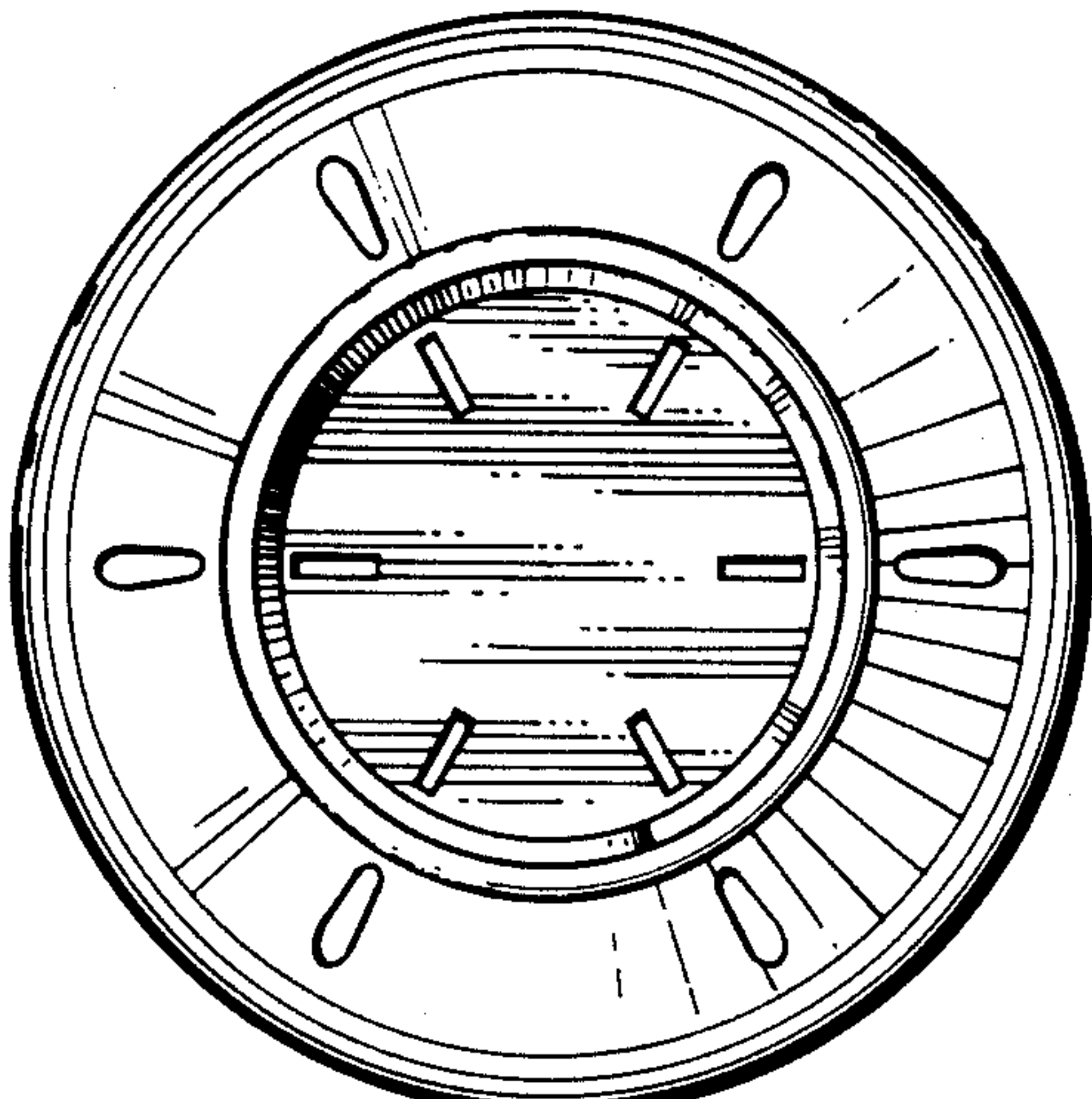


FIG. 4

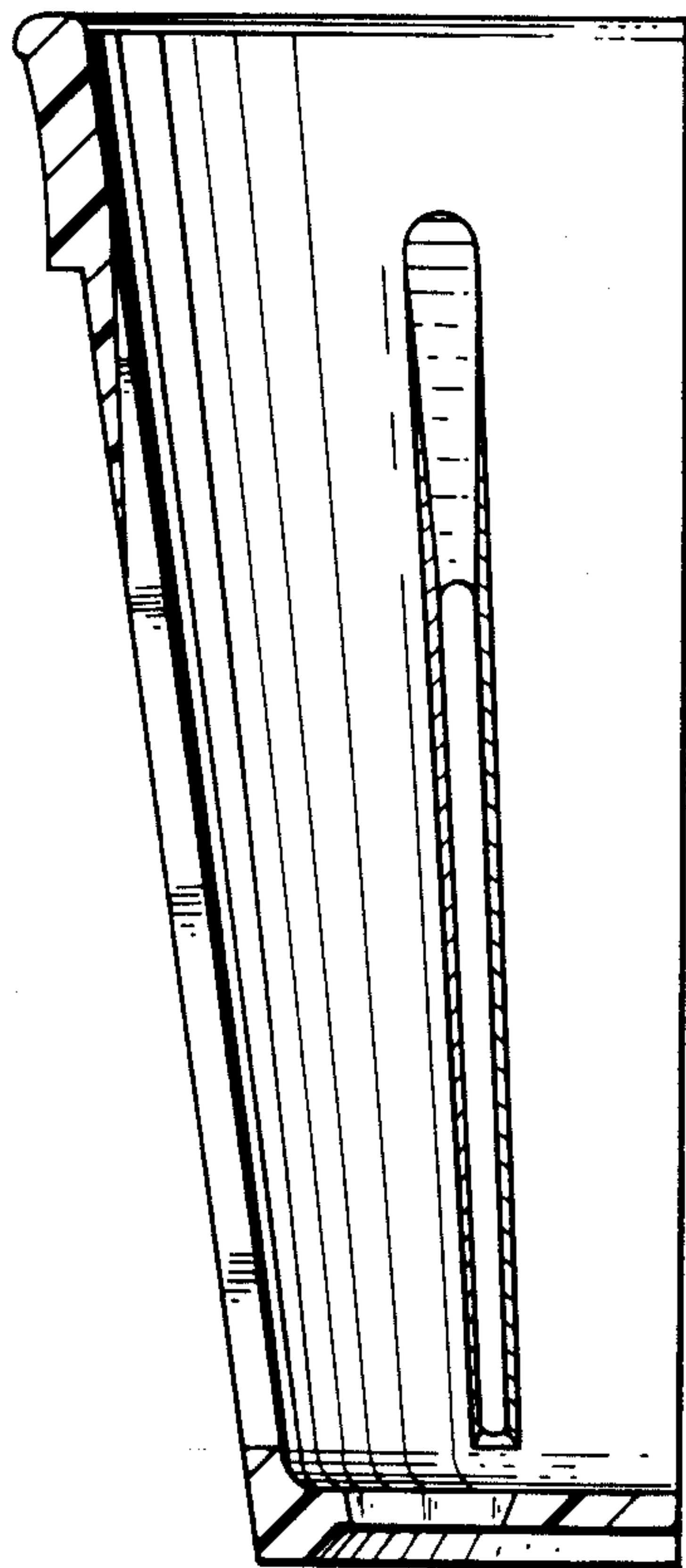


FIG. 5